

# Advme8028

## Intel Atom CPU Board

- Intel Atom processor Z500 series (1.1/1.33/1.6GHz)
- Atom processor is System-On-Module architecture/ Selectable from 3 grade modules
- Low power consumption
- On-board DDR2-533 SDRAM (512MB/1GB) for main memory
- Gigabit Ethernet x1
- CompactFlash as the storage device
- 32bit/33MHz PMC slotx2



## Intel Atom processor 6U VME bus CPU Board

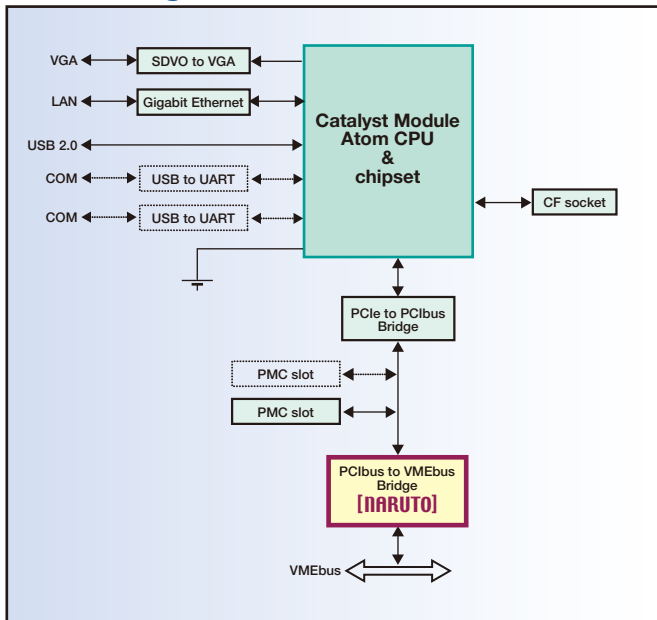
### Overview

The Advme8028 is a 6U VME bus single board computer based intel Atom processor.  
 Equipped with 2 PMC slots, the Advme8028 is able to expand its I/O with a combination of various PMC modules.  
 GigabitEthernet, VGA, and USB are available on the front panel.  
 It has an on-board CF slot which can be used for OS booting and storage.  
 Advme8028 has three variations by the CPU clock frequency, the memory size and the difference of the operating temperature.  
 There is an option too which extend two COM-ports in the front panel. But, in that case, the number of available PMC slots becomes one.



\*CompactFlash is optional.

### Block Diagram



### Specifications

CPU	Processor	Intel Atom - choose from three options below 1.6GHz 0-60°C 1GB memory (high-end) 1.1GHz 0-60°C 512MB memory (low-end) 1.3GHz -40-85°C 1GB memory (Extended temp. range) L1 cache 24KB for data / 32KB for instruction L2 cache 512kB for data and instructions
Memory	Main Memory	Memory bus operating frequency 533 MHz(DDR2-533) Memory capacity 512MB or 1GB Boot ROM FWH-FLASH memory On board implementation Serial EEPROM 2kbit
Front panel I/O	Ethernet	10/100/1000 BASE-T x1
	USB	USB 2.0 x1
	Graphics	VGA slot x1
	PMC slot	PMC slot x2 or PMC slot x1 plus COM port x2
Onboard I/O	CompactFLASH	CF+ and CompactFlash Rev.2.1 standards x1 (No CompactFlash installed)
VME bus	Standard	VME bus Rev.C.3
	Compatibility	A32 /D32
	Functions	System controller, Interrupt handler
	Bus bridge	NARUTO PCI/VME bus bridge
PCI bus(PMC)		32bit 33MHz VIO=3.3V
Power Supply		DC5.0V±5% (supplied by VMEbus)
Consumption current		1.6A ( typ.)
Form Factor		6U size, Single Slot

Please consult us regarding your specific custom requirements

Note: The following specifications and product appearance are subject to change for enhancement without notice.