

Advme8027

Intel Core2 Duo CPU Board

- Intel Core2 Duo processor L7400 (1.5GHz)
- ECC-capable DDR2-400 SO-RDIMM (512MB to 2GB)
- Gigabit Ethernet x2
- CompactFlash as the storage device
- RS232C serial port x1
- 64bit/33MHz PMC slot x2
- PCI Express x 8 lanes 1port XMC slot x2



Intel Core2 Duo processor L7400 (1.5GHz) VME bus 6U CPU board

Overview

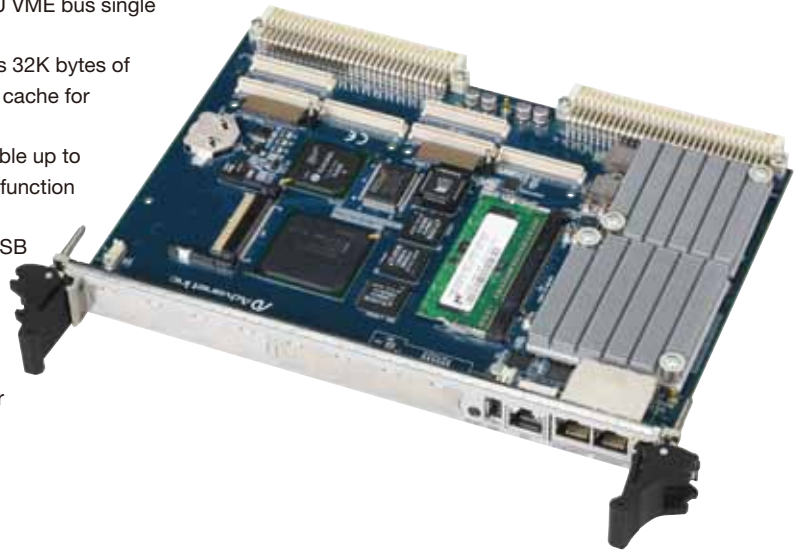
The Advme8027 is an Intel Core2Duo processor L7400 integrated 6U VME bus single board computer with the single slot width.

The L7400 CPU operates on a frequency of 1.5GHz and incorporates 32K bytes of data cache, 32K bytes of L1 instruction cache, and 4MB bytes of L2 cache for data/instruction.

The main memory, which DDR2-400-capable SO-RDIMM is expandable up to 2GB and ensures high reliability by virtue of the SEC/DEC/ x4SDDC function of server chip set E7520.

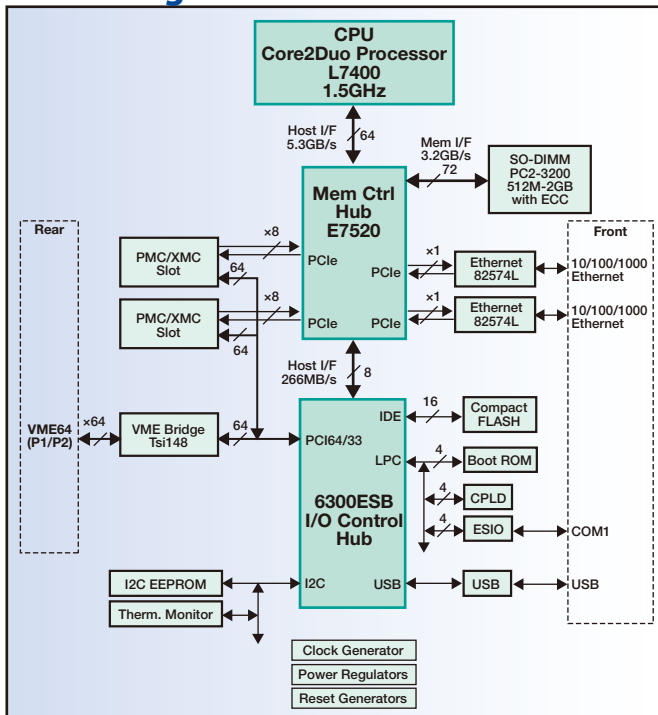
The Advme8027 is equipped with the Gigabit Ether channel (2 ch), USB port (1 ch), and RS232C serial port for front panel I/O interfaces. It also has a single CompactFlash socket and two PMC/XMC slots on board.

Advme8027 has both VME64x and 2eSST capability of VME bus standard. And the board can be used either as a system controller or as a non-system controller, by automatic slot type recognition.



* CompactFlash and the memory module are optional.

Block Diagram



Specifications

| | | |
|---------------------|---------------------------|-------------------------------------|
| CPU | Processor | Intel Core2Duo L7400 |
| | Cores operating frequency | 1.5GHz |
| | L1 Cache | 32kB for Data, 32kB for Instruction |
| | L2 Cache | 4MB for data and instructions |
| Memory | Main memory | DDR2-400 SO-RDIMM 512MB-2GB |
| | Supporting ECC | |
| | Boot ROM | FWH-FLASH memory, 1MB |
| | Serial EEPROM | 2kb |
| Front panel I/O | Ethernet | 10/100/1000 BASE-T x2 |
| | USB | USB2.0 x1 |
| | Serial Port | COM port with RJ-45 connector x1 |
| On-board I/O | CompactFLASH | one CF socket |
| | PMC/XMC | PCIbus 64bit 33MHz VIO=3.3V |
| | PCI Express | x8 lane 1 port |
| | Single size, 2 slots | |
| VMEbus | Standards | VMEbus Specification Rev.C.3 |
| | Bridge IC | Tundra Tsi148 |
| | DMAC | 2ch |
| Power Supply | | DC5.0V±5% (supplied by VMEbus) |
| Consumption current | | 5.3A (typ.) |
| Form Factor | | 6U size, Single Slot |

Please consult us regarding your specific custom requirements

Note: The following specifications and product appearance are subject to change for enhancement without notice.