

# Advme 7006

## SH-4 CPU Board

RENESAS SH7751 (SH-4)

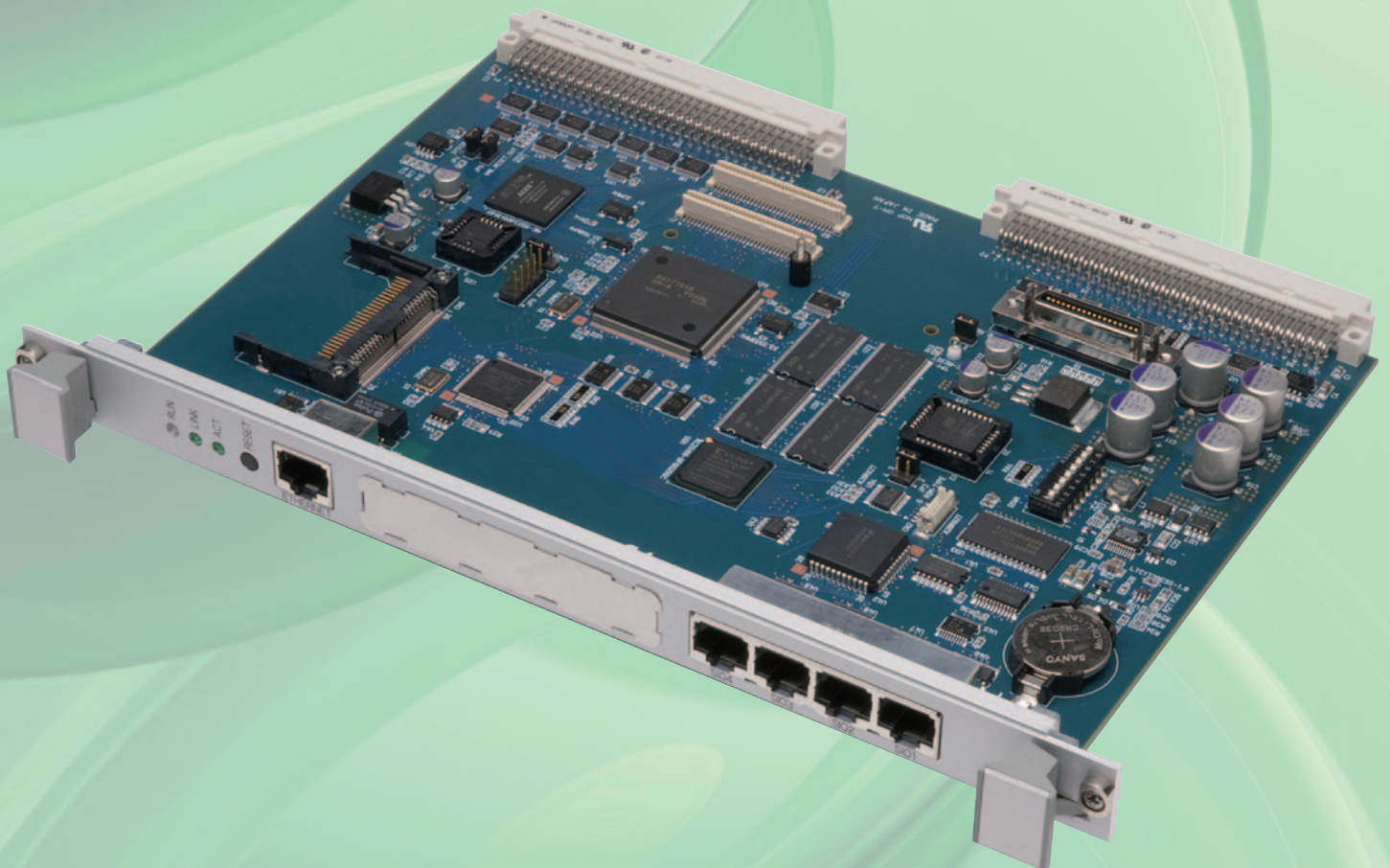
128MB SDRAM

10/100BASE-TX Ethernet × 1ch

RS232C Serial port × 4ch

CompactFlash compatible

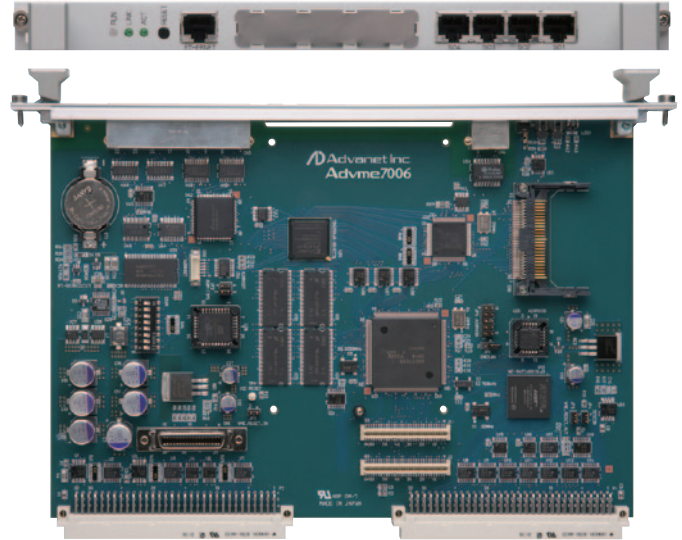
32bit/33MHz PMC slot × 1



## SH-4 CPU Board

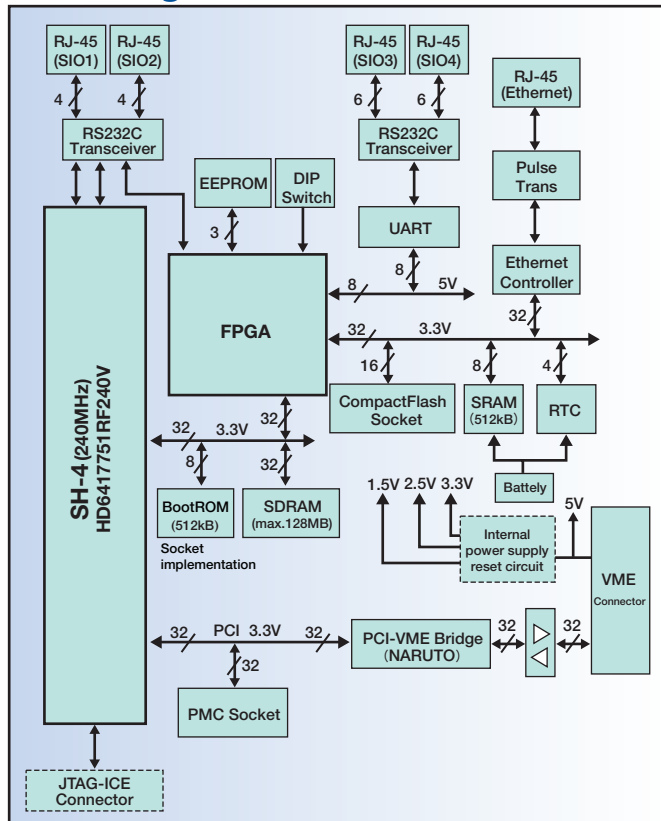
### Overview

The Advme7006 is a VME bus CPU board equipped with 32-bit RISC-CPU SH7751 (SH-4).  
 The board has the system controller function and can operate as a VME bus master. The on-board SDRAM (max. 128MB) is dual-port RAM acting as a VME bus slave that is accessible from the VME bus. The board comes with four RS232C serial ports (RJ-45) and one 10/100BASE-TX Ethernet port.  
 The CompactFlash is available for storing application programs and data files.  
 The Advme7006 also has lithium battery-backed SRAM (512kB) and a real-time clock.  
 It is equipped with a PMC slot, which allows the board to enhance the on-board function without increasing slots.



\* CompactFlash and a memory module in the above photo are optional.

### Block Diagram



### Specifications

CPU	Processor	RENESAS HD6417751RF240 (QFP256) SH-4
	Operating Clock	240MHz
	L1 Cache	32kB for Data and 16kB for Instruction
Memory	Main Memory	128MB SDRAM
	Boot ROM	512kB Flash memory (socket implementation)
	Serial EEPROM	4kb
Front panel I/O	RS232C Serial Port	x4 (RJ-45)
	Ethernet	10/100 BASE-TX x1
On-board I/O	CompactFlash	socket x1 (Type I or Type II)
	PMC	slot x1
	RTC	Battery Backup
PCI-VME bridge	Bus Bridge	NARUTO (Advanet Original)
VMEbus	Compliant Spec.	VME bus Revision C.3
	Bus width	A32/A24/A16 D32/D16/D08(E0)
	Functions	VMEbus master/slave, system controller, interrupter, interrupt handler
Power Supply		DC5.0V±5% (supplied by rack)
Consumption current		5V 1.0A (typ.)
Form Factor		6U size, Single Slot

Please consult us regarding your specific custom requirements

Note: The following specifications and product appearance are subject to change for enhancement without notice.



Headquarters ..... 616-4, Tanaka, Kita-ku, Okayama 700-0951 JAPAN ..... TEL +81-86-245-2861 FAX +81-86-245-2860  
 Tokyo Branch ..... KDX Kaji-cho 4F, 3-5-2 Kanda Kaji-Cho, Chiyoda-ku, Tokyo 101-0045 JAPAN ..... TEL +81-3-5294-1731 FAX +81-3-5294-1734  
 Kobe R&D Center ..... Misaki U 2F, 1-2-1 Misaki-cho, Hyogo-ku, Kobe City, Hyogo Pref. 652-0855 JAPAN ..... TEL +81-78-652-8100 FAX +81-78-652-8177