

Adbc8023

CeleronM CPU Board

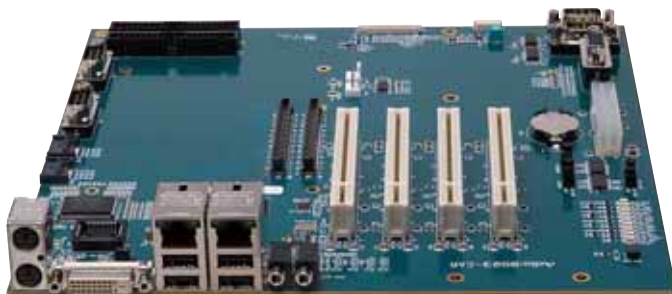
- CPU board of COM Express Basic size
- Intel(r) CeleronM processor and 82855GME chip set
(Selectable from 600MHz/1.0GHz/1.3GHz)
- DDR333-compatible SO-DIMM socket x1
(Capable of incorporating 1GB max. of memory ready for ECC)



CeleronM CPU Board

Features

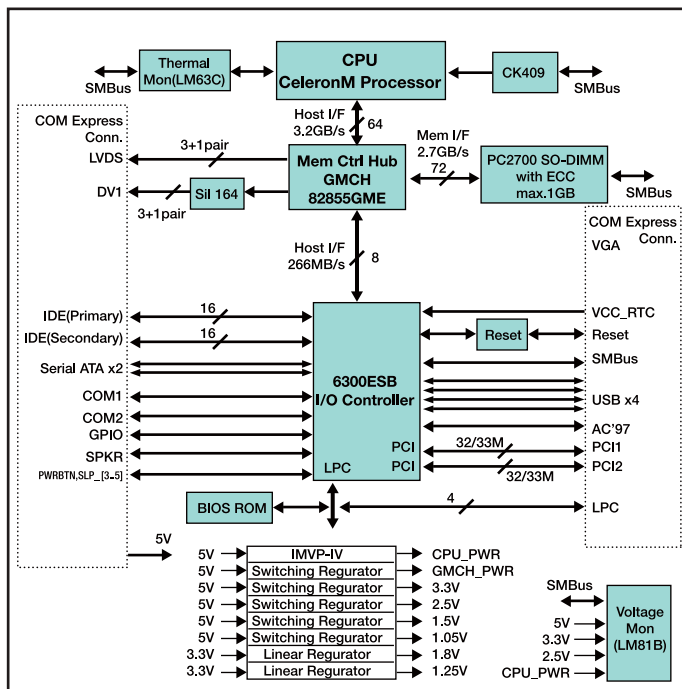
CPU board of COM Express Basic size High-performance, low-power, and small CPU board produced in Japan adopting Intel(r) CeleronM processor and 855GME + 6300ESB chip set Capable of incorporating 1GB max. of main memory having ECC function to correct 1 bit of error automatically I/O functions and bus signals collected in the high-density connector on the same standard as COM Express, which should be stacked on the carrier board (I/O base board) in use. Modular board of which carrier board can be freely designed for various size and various combinations of connectors



Career board for evaluation



Block diagram



Specifications

CPU	Intel® CeleronM processor (600MHz · 1.0GHz · 1.3GHz) L1 cache: 32KB/32KB L2 cache: 512KB
Memory	DDR333-compatible SO-DIMM socket x1 (Capable of incorporating 1 GB max. of memory ready for ECC) Boot ROM: 1 MB of firmware hub FLASH memory
System I/O	VGA: 1 port: 1280x1024@24bit USB (USB 2.0 standard) × 4 Serial ATA × 2 IDE × 2 UXGA (1600 × 1200)-compatible VGA AC'97 (Component 2.2 standard) × 1 PCI bus interface (32bit/33MHz) × 2 LPC, SMBus, LVDS, DVI, GPI × 4, GPO × 5
RAS function	Watch Dog Timer containing 6300ESB is usable. Monitoring temperatures of CPU interior and board around CPU is enabled. Monitoring CPU core voltage and voltage of 5V/3.3V/2.5V is enabled.
Power supply voltage	DC5V±5%
Board size	95x125mm

Please consult us regarding your specific custom requirements

