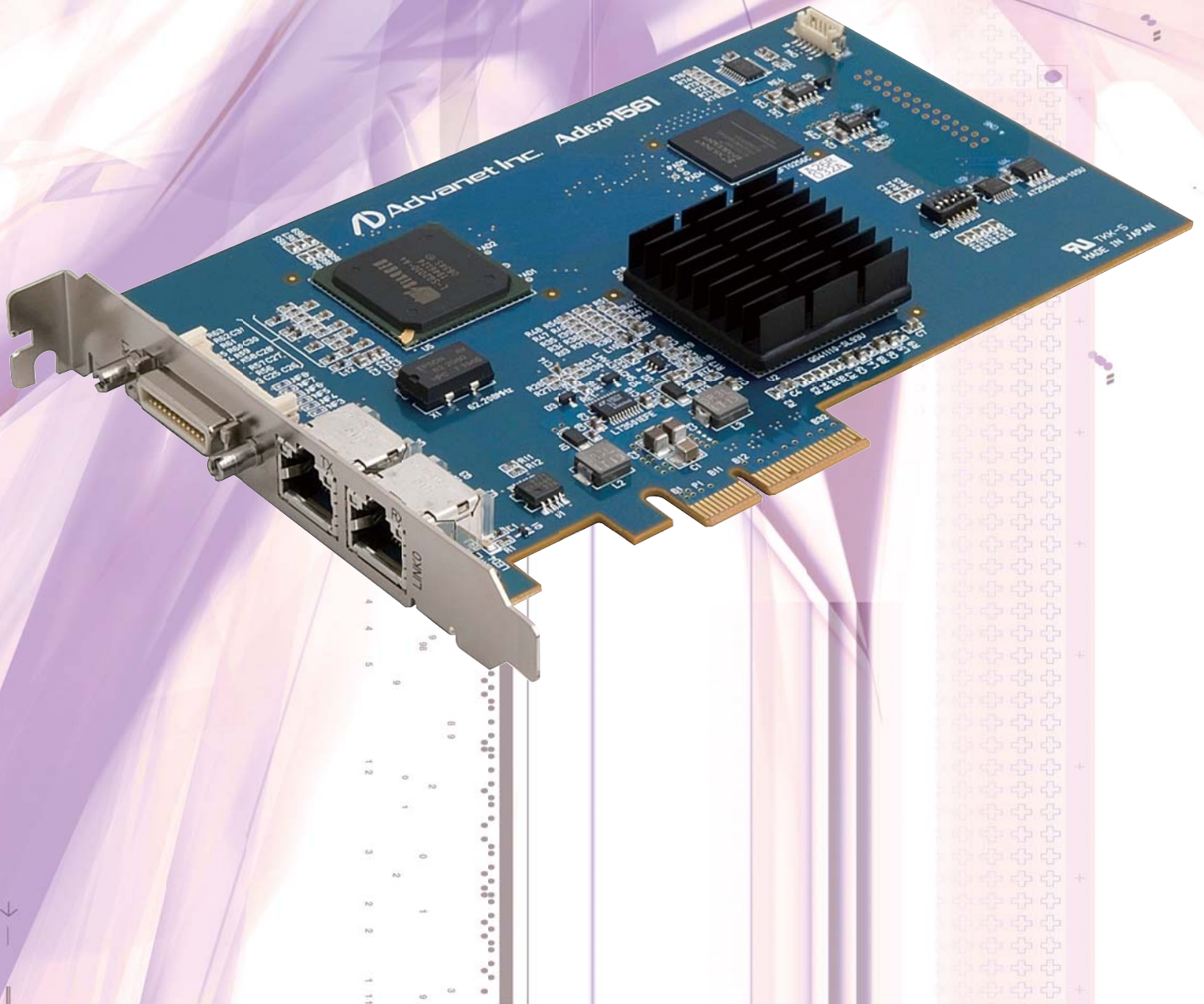


Adexp1562

PCI Express StarFabric Bridge Board

High-performance PCI Express-compatible StarFabric bridge board
DMA controller included
Equipped with two StarFabric ports



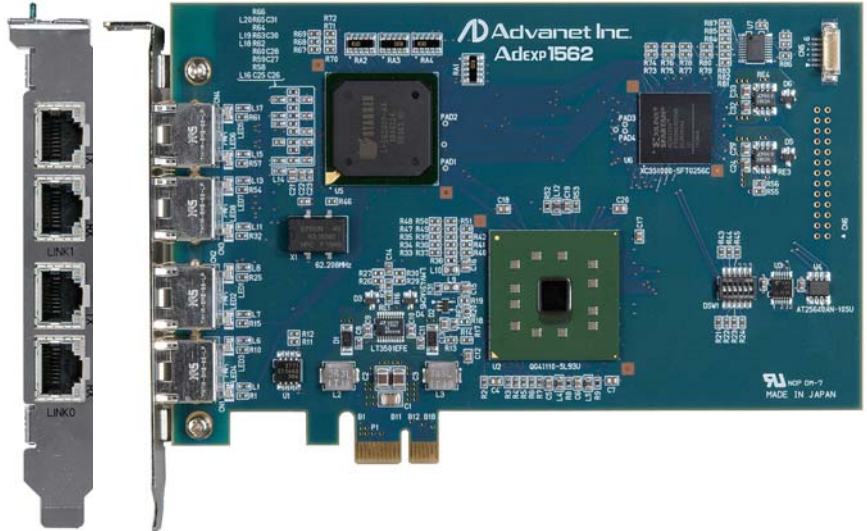
PCI Express StarFabric Bridge Board

Overview

The AdEXP1562 is a PCI Express-compatible StarFabric bridge board. This board enhances the speed of data transfer between the computer and the node that is StarFabric-linked. It is effective if no DMA controller is embedded in the computer.

Features

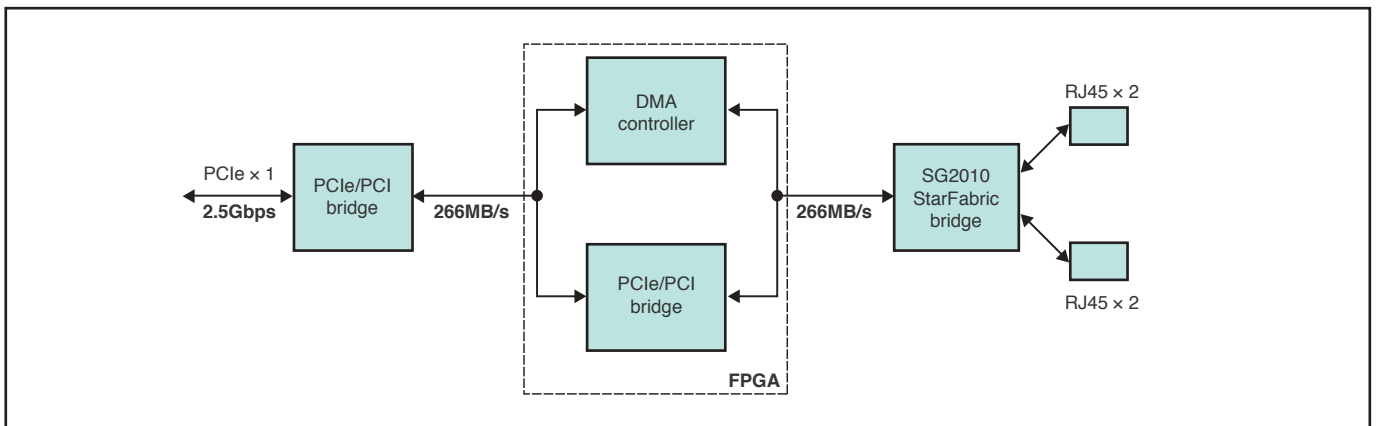
- StarGen device driver and utility program are capable of running directly by virtue of the StarFabric bridge chip that is connected to PCI Express via the transparent PCI/PCI bridge.
- Equipped with the DMA controller, which is included in the transparent relay PCI/PCI bridge, capable of high-speed data transfer downward. (in the direction of data transmission to the StarFabric network)
- Separate buses assigned on both sides of the DMA controller that permit simultaneous processing of data reading from PCI Express and writing to StarFabric, and eventually yields high-speed DMA data transfer.



Specifications

PCI Express lanes	× 1 lane
PCIe bridge device	Intel 41110
StarFabric bridge device	SG2010
num of StarFabric ports	2 ports
StarFabric connector	RJ-45
Form-factor	PCI Express half size
Power requirement	DC12V supplied by PCIe bus

Block Diagram



Please consult us regarding your specific custom requirements

Note: The following specifications and product appearance are subject to change for enhancement without notice.