

Abrci8019

PentiumM CPU Board

Equipped with **Intel Pentium M745**

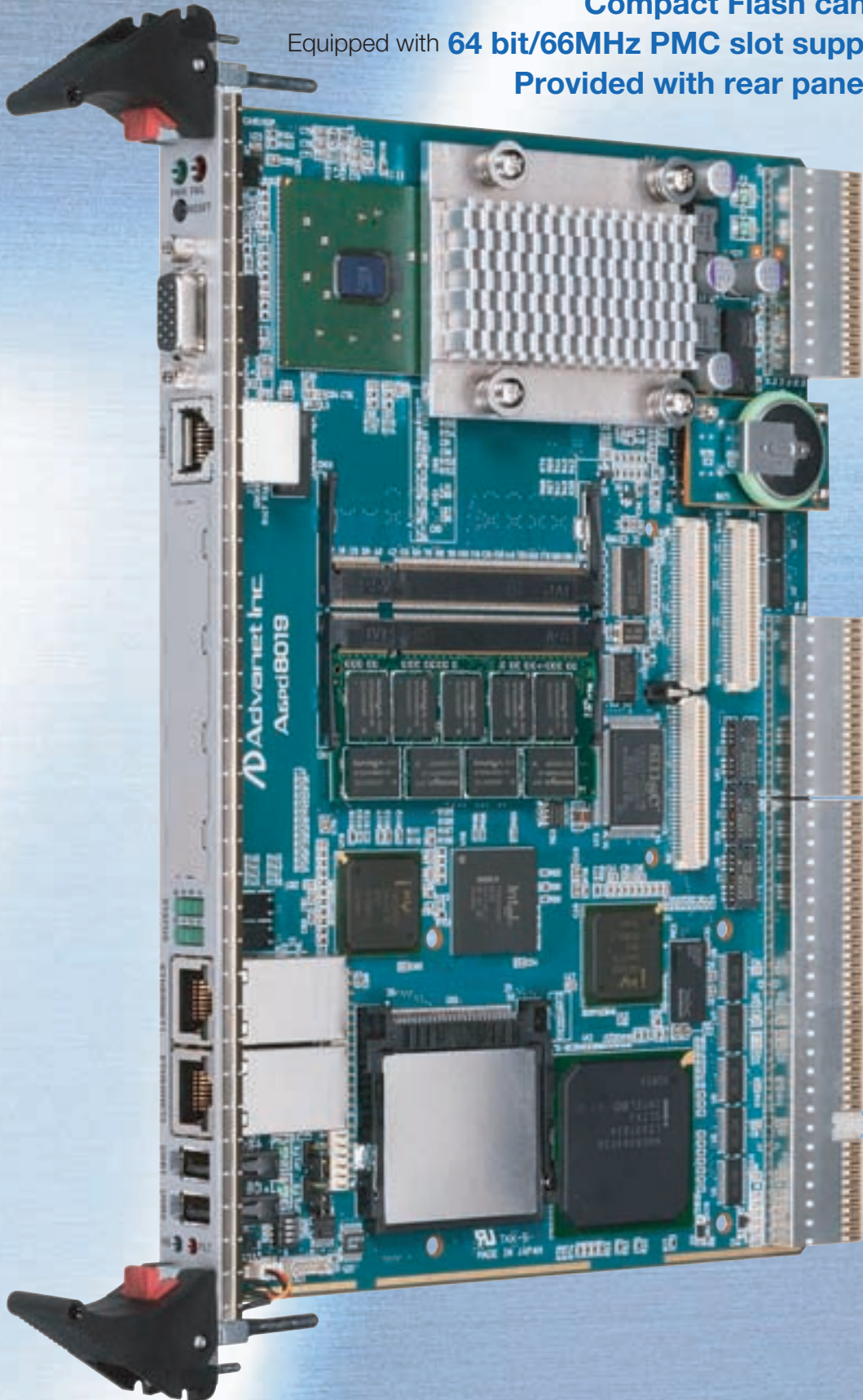
Equipped with **SO-DIMM 1GB (up to 2GB)**

Equipped with **Gigabit Ethernet 2ch (3ch, rear panel)**

Compact Flash can be installed

Equipped with **64 bit/66MHz PMC slot supporting PCI-X**

Provided with rear panel I/O (option)



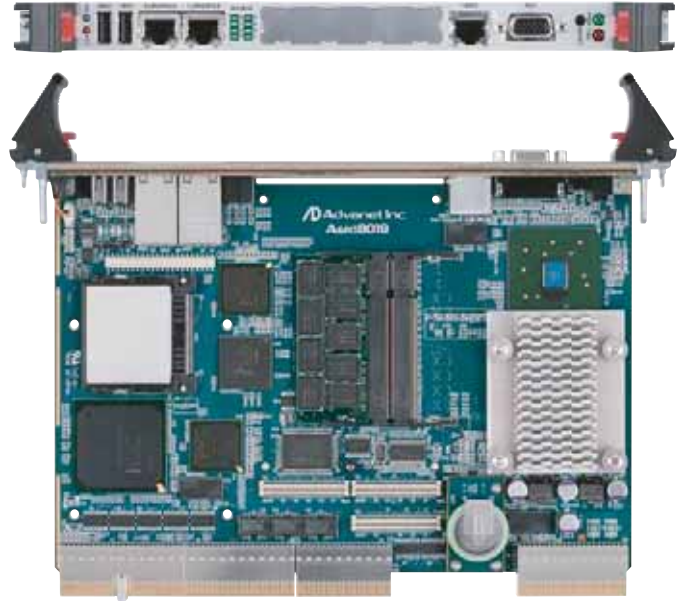
Pentium M CPU Board

Outline

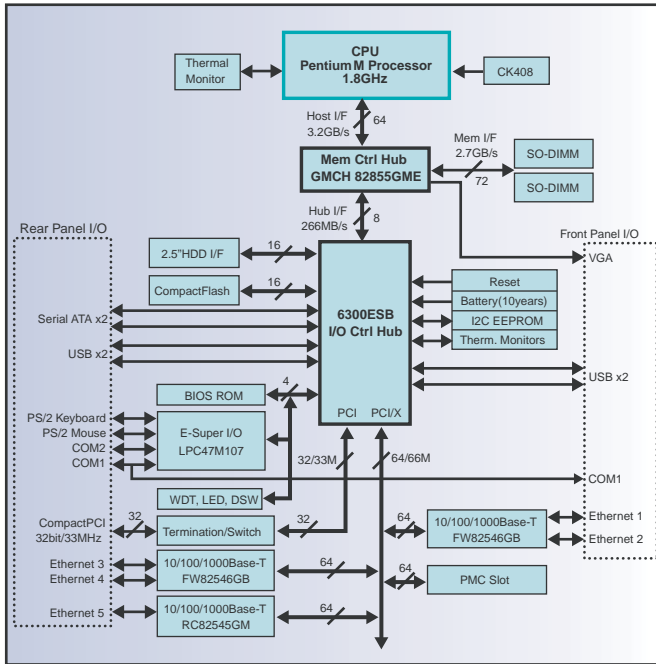
The A6pci8019 is a Compact PCI board supporting the PICMG2.16 installed on the Intel Pentium M processor 745(1.8GHz). The main memory is SO-DIMM supporting PC2700, and a maximum of 2GB can be installed. Two gigabit ethernet ports are on the front panel, and the rear panel has 3 ports for a total of 5 ports, flexibly supporting a variety of network connection configurations. Additionally, it is provided with a variety of interfaces, including USB 2.0, Compact FLASH, 2.5 inch HDD, PMC, serial ATA, etc., offering excellent functional expandability.

Rear panel I/O for A6pci8019

Arpio0806



Block diagram



Specifications

CPU	Intel Pentium M processor 745 1.8GHz L1 cache: 32KB/32KB?L2 cache: 2MB Provided with a passive heat sink and is fanless.
Memory	Boot ROM: Firmware hub Flash memory, 1MB Main memory: SO-DIMM socketx2(supporting max 2GB/PC2700 ECC) 1GB module x 1, standard equipment Serial EEPROM: I2C-EEPROM 2K bit
Internal PCI bus	PCI-X bus: data 64bit/66MHz
Front panel I/O	Serial port: TIA/EIA-232E?RJ-45 connectorx1 Ethernet: 10/100/1000Base-T,RJ-45 connectorx2 Graphics: D-sub15 pin/male connector(on-board 855GMCH)USB 2.0x2
Onboard I/O	PMC I/F: 64 bit,66MHz Single Sizex1 CompactFlash:CF+ & CompactFlashSpec. Rev2.1(module is an option) 2.5 inch HDD I/F: UltraATA/100(HDD is an option)
Rear panel I/O	Serial port: TIA/EIA-232Ex2(COM1 cannot be used at the same time as the front)Ethernet(PICMG2.16): 10/100/1000Base-Tx2 Ethernet: 10/100/1000Base-Tx1PS/2 key board I/F · PS/2 mouse I/FUSB 2.0x2, Serial ATA1.0 x2
CompactPCI	PICMG 2.0 R3.0 CompactPCI Spec.PICMG 2.1 R2.0 CompactPCI Hot Swap Spec.PICMG 2.16 Packet Switching Backplane Rev. 1.0PCI Local Bus Specification Rev. 2.2Functions as a transparent bridge when it is a system slot Separated from CompactPCI when it is a peripheral slot (with the exception of power supply and special signals) Signalling level: 3.3/5V (automatic discrimination)32 bit data bus /33MHz
Power Requirements	DC5.0V±5% max 7A?DC3.3V±5% max 5A
Board size	6U, single slot



HUMAN ELECTRONICS

Advantec Inc.

www.advantec.co.jp

Note: The following specifications and product appearance are subject to change for enhancement without notice.

Headquarters 616-4, Tanaka, Okayama 700-0951 JAPAN
TEL +81-86-245-2861 FAX +81-86-245-2860
Tokyo Branch 3F, Hayakawa No.3 Building, 2-2Kanda-Tacho, Chiyoda-ku, Tokyo 101-0046 JAPAN
TEL +81-3-5294-1731 FAX +81-3-5294-1734



ISO9001

Certification: No.4016-1995-AQ-KOB-RvA



ISO14001

Certification: No. EMSC-1426