

# A3pci8024

Intel EP80579 CPU Board

Endowed with an SoC (System on Chip) EP80579 that integrates various functions

ECC-capable DDR2 SO-RDIMM (Max. 2GB)

SXGA graphics

Gbit Ethernet x1ch

SATA Interface x2ch

USB Interface x5ch

Dual-purpose system slot and peripheral slot



## Intel EP80579 CPU Board

### Overview

The A3pci8024 is a Compact PCI bus-compatible CPU board equipped with Intel EP80579.

Intel EP80579 is a SoC (System on Chip) that integrates various functions including the memory controller and I/O controller into the CPU core.

The CPU core is a PentiumM processor running at 1.066 GHz. The A3pci8024 incorporates 2GB of PC2-4200-compatible SO-RDIMM main memory that supports the ECC capable of automatic correction of bit error (one out of 64 bits).

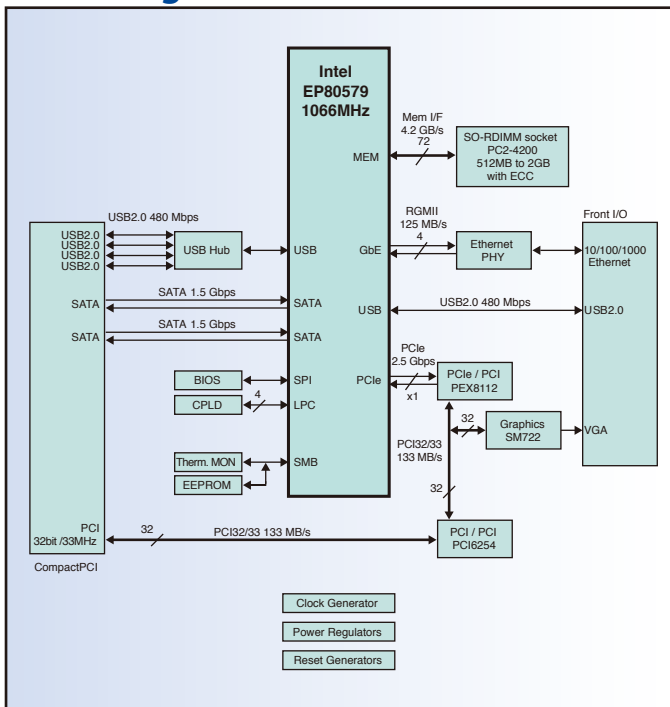
Coupled with the Compact PCI that is compatible with the system slot and peripheral slot, this CPU board has four USB2.0 ports, two serial ATA ports.

The A3pci8024 is also equipped with one Gigabit Ethernet port, one USB2.0 port, and one VGA port on the front panel.

The A3pci8024 is a 3U-sized compact CPU board with a single slot width, which meets demand for a downsizing of the system and space saving.



### Block Diagram



### Specifications

CPU	Processor	Intel® EP80579 Integrated Processor
	Operating Clock	1.066GHz
	L1 Cache	32kB for Data and 32kB for Instruction
	L2 Cache	256kB
Memory	Main Memory	DDR2 SDRAM SO-RDIMM, max2GB, ECC support
	Boot ROM	SPI Flash 2MB
	Serial EEPROM	I2C EEPROM 2kbits
Front panel I/O	Graphics	SXGA (1280x1024)
	Ethernet	10/100/1000 BASE-TX x1
	USB	USB 2.0 x1
Rear I/O	Serial ATA	Serial ATA1.0a x2
	USB	USB 2.0 x4
CompactPCI	Compliant Spec.	PICMG 2.0 R3.0 Specifications
	Type of Board	System/Peripheral Slot, Universal mode
	PCI bus	32bit/33MHz, VIO=5/3.3V
Power Supply		DC5V
Consumption current		5.0A(typ.)
Form Factor		3U size, 4HP

Please consult us regarding your specific custom requirements

Note: The following specifications and product appearance are subject to change for enhancement without notice.



Headquarters ..... 616-4, Tanaka, Kita-ku, Okayama 700-0951 JAPAN ..... TEL +81-86-245-2861 FAX +81-86-245-2860  
 Tokyo Branch ..... KDX Kaji-cho 4F, 3-5-2 Kanda Kaji-Cho, Chiyoda-ku, Tokyo 101-0045 JAPAN ..... TEL +81-3-5294-1731 FAX +81-3-5294-1734  
 Kobe R&D Center ..... Misaki U 2F, 1-2-1 Misaki-cho, Hyogo-ku, Kobe City, Hyogo Pref. 652-0855 JAPAN ..... TEL +81-78-652-8100 FAX +81-78-652-8177