

# A3pci7512

## PowerPC G4 Board

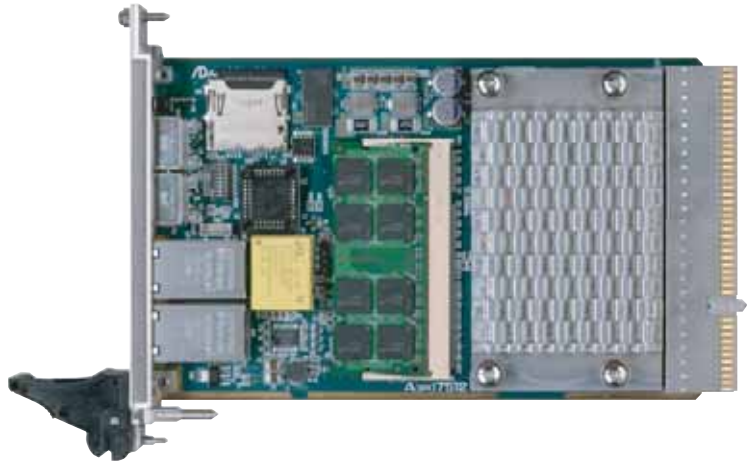
- Endowed with Freescale 1-GHz MPC7447A
  - Tundra Tsi108 bridge included as host
- Gigabit Ethernet (2 chs) and RS-232C serial port (2 chs) provided
- Equipped with a miniSD memory card socket



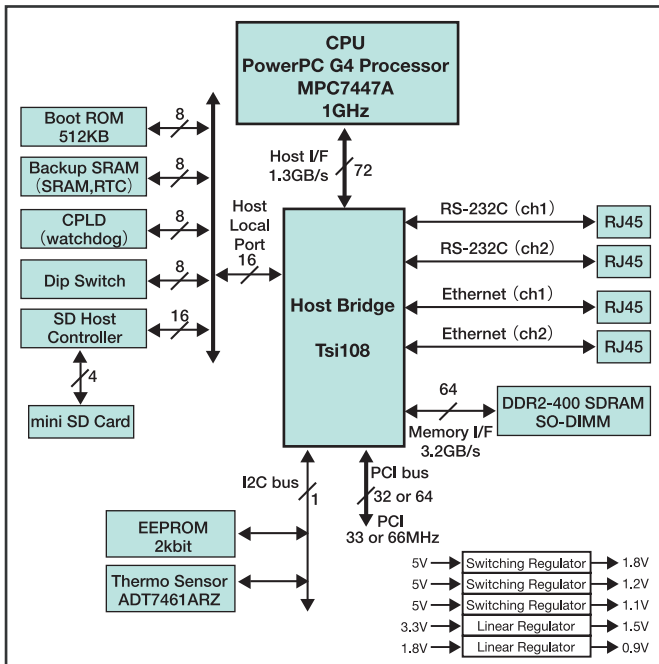
## PowerPC G4 CPU Board

### Overview

- CompactPCI bus CPU board with PowerPC G4 Processor MPC7447A (1GHz) by Freescale
- Equipped with a 32kB instruction/data L1 cache and a 512kB on-chip L2 cache
- Equipped with a DDR2-400-capable SO-DIMM socket
- Tundra Tsi108 bridge included as host
- Gigabit Ethernet (2 chs) and RS232C serial port (2 chs) provided
- Equipped with a miniSD memory card socket as an external mass-storage device
- Incorporating 512kB boot ROM (FLASH memory)
- Capable of lithium primary battery-powered backup of 32kB SRAM and real-time clock
- 256B serial EEPROM (nonvolatile memory) installed for storing information on boot-up
- 3U (single height), single slot width
- Powered by 5V or 3.3V supplied from the CompactPCI bus



### Block diagram



### Specifications

<b>CPU:</b>	Freescale PowerPC G4 Processor MPC7447A (1GHz) L1 cache: 32KB/32KB, L2 cache: 512KB Fanless heatsink
<b>Host bridge:</b>	Tundra Tsi108
<b>Memory:</b>	Main memory: DDR2-SDRAM-capable SO-DIMM that maximizes memory up to 1GB Boot ROM: 512KB (512K x 8), FLASH memory (Advanet T4th installed) SRAM: 32KB (32K x 8), battery backup (of which 16 bytes are allocated to the internal register) Serial EEPROM: 256B (equivalent to 24C02) miniSD memory card: Module installed optionally
<b>Peripheral:</b>	Serial port: TIA/EIA-232E-compliant port, start-stop synchronization, 2 chs (RJ-45 x 2) Control line: RTS/, CTS/, DTR/, and DCD/-compatible line (Tsi108 GPIO employed)
<b>External bus interface:</b>	10/100/1000BASE-T Ethernet, 2 chs (RJ-45 x 2) Watchdog timer External bus interface: Bus standard: PICMG 2.0 R3.0 CompactPCI Specification PCI Local Bus Specification Revision 3.0 Data width / Clock frequency: 32 or 64 bits / 33 or 66 MHz Signal level: 3.3V/5V
<b>Power supply voltage:</b>	DC5V+5%/-3%, DC3.3V+5%/-3% (supplied from the CompactPCI connector)
<b>Board size:</b>	3U, single slot width

Please consult us regarding your specific custom requirements