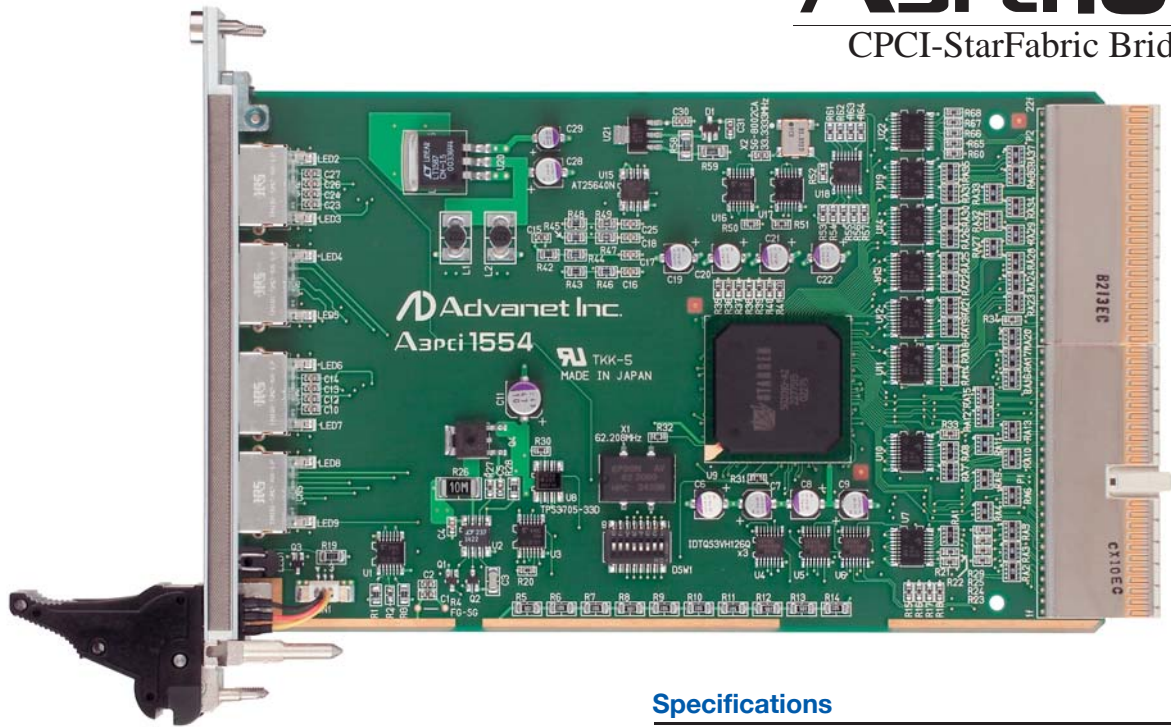


# A3pci1554

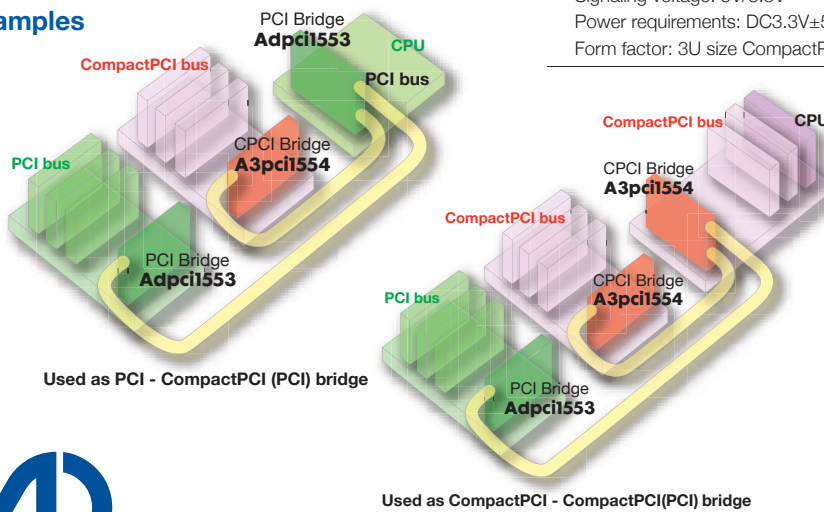
## CPCI-StarFabric Bridge Board



### Features

- StarFabric bridge board for bus expansion
- Supports both root and leaf modes
- Can be used freely to connect same-type buses (e.g. PCI bus to PCI bus or CompactPCI bus to CompactPCI bus) or different-type buses (e.g. PCI bus to CompactPCI bus)
- Bridges using the Adpci1554 board function in the same way as a normal PCI bridge, thus allowing a PCI hierarchy configuration
- Configuration, BIOS, OS, application and other software is fully compatible with the PCI bridge, so no modification is required

### Connection Examples



### Specifications

#### StarFabric Interface

- Standard: PICMG 2.17 StarFabric Specification compliant
- IEEE 1596.3 and TIA/EIA-644 Low-Voltage Differential Signaling(LVDS)Standards compliant
- Data transfer method: Full duplex method
- Transmission speed: 2.5Gbps (four 622Mbps LVDS pairs)  
 \* For both sending and receiving
- Connectors: RJ45 8-pin modular  
 (two for sending and receiving and two for the two ports)
- Category 5 compliant cable

#### CompactPCIBus interface

- Bus standard: PCI Local Bus Spec. Rev.2.2 compliant
- PCI-to-PCI Bridge Architecture Spec. Rev.1.1 compliant
- Clock frequency: 33MHz/66MHz
- Data width: 32 bits/64 bits
- Signaling voltage: 5V/3.3V
- Power requirements: DC3.3V±5%
- Form factor: 3U size CompactPCI bus, single slot width



HUMAN ELECTRONICS

**Advanet Inc.**

www.advanet.co.jp

Note: The following specifications and product appearance are subject to change for enhancement without notice.

Headquarters 616-4, Tanaka, Okayama 700-0951 JAPAN  
 TEL +81-86-245-2861 FAX +81-86-245-2860  
 Tokyo Branch 3F, Hayakawa No.3 Building, 2-2Kanda-Tacho, Chiyoda-ku, Tokyo 101-0046 JAPAN  
 TEL +81-3-5294-1731 FAX +81-3-5294-1734



**ISO9001**  
 Certification: No.4016-1995-AQ-KOB-Rv4

**ISO14001**  
 Certification: No. EMSC-1426