

# A3EXP1565

cPCIe-cPCI Bridge Board

CompactPCI Express-compatible bridge board  
Capable of conversion from x4-lane PCI Express bus to 32-bit PCI bus (66/33MHz)  
Equipped with an Intel 41110 bridge device  
3U-size board



## cPCIe/cPCI Bridge Board

### Overview

The A3EXP1565-6U is a bridge board that allows a bus to be converted from CompactPCI Express to CompactPCI. In combination with the A3EXP1565, a CompactPCI Express bus-compatible peripheral board can be adopted as a CompactPCI Express form factor CPU board. CompactPCI Express and CompactPCI can co-reside in a single system, which permits system architecture utilizing a CompactPCI Express-compatible advanced CPU board in concert with the existing CompactPCI-capable board. Backplanes and sub racks designed for use in combination with the A3EXP1565 are also available.

### Features

- Capable of conversion from x4-lane PCI Express bus to 32-bit PCI bus (66/33MHz)
- Equipped with an Intel 41110 bridge device
- 3U-size board

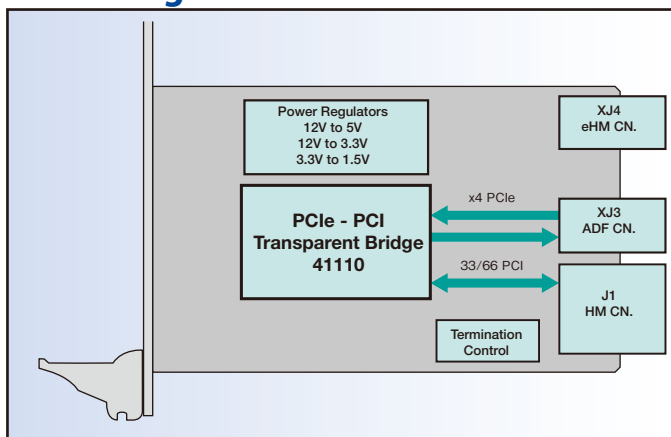


CPCI/CPCI Express mixed system rack  
**AdRC-EXP1**

### Specifications

<b>CompactPCI Express</b>	
Standards :	PICMG EXP.0 R1.0 Specification PCI Express Base Specification Rev 1.0a PCI Express Card Electromechanical Specification Rev 1.0a
Applicable slot:	Bridge hybrid slot (Serves as a CompactPCI Express peripheral board)
Slot Type :	Hybrid slot only for bridge (Operates as a peripheral board of CompactPCI Express)
Lane width :	x4 or x1
eHM key :	Female 5
Hot plug :	Un-corresponding
Misc :	ESD discharge strip support
<b>CompactPCI</b>	
Standards :	PICMG 2.0 R3.0 CompactPCI Specification PCI Local Bus Specification Rev 2.3
Slot Type :	Hybrid slot only for bridge (Operates as a system slot of CompactPCI)
Data width :	32 bit
Bus clock :	33MHz or 66MHz
Signaling level :	5V or 3.3V
Bus master :	6
<b>Front panel</b>	
	CompactPCI VIO-LED (green) CompactPCI 66MHz-LED (green)
Supply voltage :	12V ±5% VIO(5V or 3.3V) ±5%
Consumption current :	12V 0.5A(typ) VIO 0.1A(typ)
Form factor :	6U or 3U, Single slot Board dimensions (160 × 100mm)

### Block Diagram



**Please consult us regarding your specific custom requirements**

Note: The following specifications and product appearance are subject to change for enhancement without notice.



Headquarters ..... 616-4, Tanaka, Okayama 700-0951 JAPAN ..... TEL +81-86-245-2861 FAX +81-86-245-2860  
 Tokyo Branch ..... KDX Kaji-cho 4F, 3-5-2 Kanda Kaji-Cho, Chiyoda-ku, Tokyo 101-0045 JAPAN ..... TEL +81-3-5294-1731 FAX +81-3-5294-1734  
 Kobe R&D Center ..... Misaki U 2F, 1-2-1 Misaki-cho, Hyogo-ku, Kobe City, Hyogo Pref. 652-0855 JAPAN ..... TEL +81-78-652-8100 FAX +81-78-652-8177