

ACS-9112-00

WI-FI DUAL-BAND ANTENNA KIT

Kit Contents

- 1x 704000055L: Female to Male SMA extension cable
- 1x Wi-Fi Dual-Band Antenna



704000055L

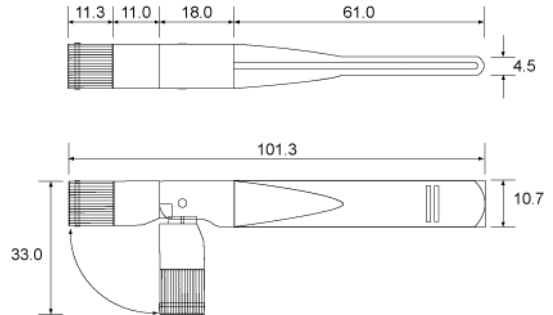
System	Connector
Alphabox	A1
AVL-Light	A1

Characteristic	Typical
Cable Length	5.0 m +/- 10%
Impedance	50 Ohms
Cn1	Female SMA
Cn2	Male SMA

Wi-Fi Dual-Band Antenna

System	Connector
Alphabox	A1 (via Extension cable if required)
AVL-Light	A1 (via Extension cable if required)

Mechanical Dimensions



Antenna Specifications

Characteristic	Typical
Centre Frequency (Band 1)	2.45 GHz
Centre Frequency (Band 2)	5.8 GHz
Bandwidth (Band 1)	170 MHz
Bandwidth (Band 2)	875 MHz
Wavelength	¼-Wave
Impedance	50 Ohms
VSWR	<1.9 Typical at Centre
Gain	4.70 dBi
Polarization	RHCP

Related Parts

- [ACS-9110-00](#): GSM Tri-Band Antenna Kit
- [ACS-9111-00](#): GPS Antenna Kit
- [ACS-9112-00](#): *Wi-Fi Dual-Band Antenna Kit*