

ACS-9095-07

2ND 10/100MB ETHERNET ADAPTOR FOR THE CPU-1421

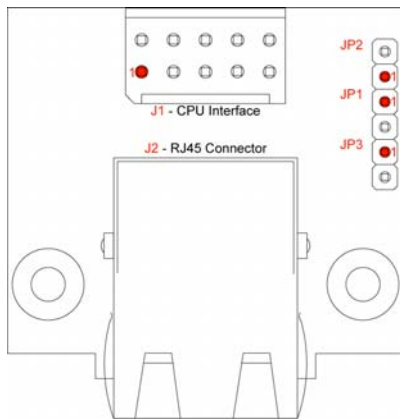
General Features

- RoHS Compliant
- Termination Jumpers for maximum compatibility
- LED indicators for Connection and Activity

Kit Contents

- 1x ACS-9095 10/100MB Ethernet adaptor
- 1x 7030000083L interface cable

Layout



Jumpers

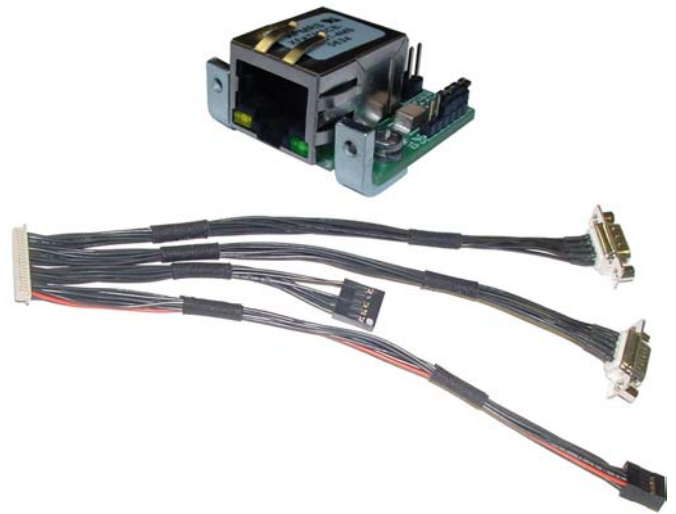
- JP1, JP2 & JP3: Termination Selection
- Type: 2pin with 2.00mm pitch

JP1	JP2	JP3	Definition
Open	Open	Open	Intel 82562ET CPU-1452 CPU-1454 CPU-1462 CPU-1464
Closed	Closed	Open	Realtek 8139D & 8139DL CPU-1433 CPU-1233
Closed	Closed	Closed	Realtek 8019AS & 8139C CPU-1421 CPU-1213

Connector Pinouts

- J1: Computer Interface
- Type: Male Minitek, 10pin (5x2) with 2.54mm pitch

Pin #	Use	Pin #	Use
1	Vcc	2	Activity LED
3	+ Receive Data	4	- Receive Data
5	Link LED	6	Ground
7	Not Connected	8	Ground
9	+ Transmit Data	10	- Transmit Data

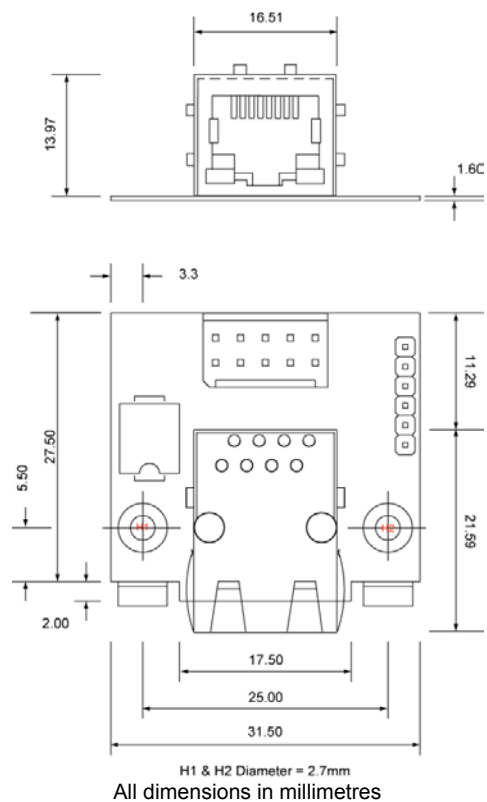


Related Parts

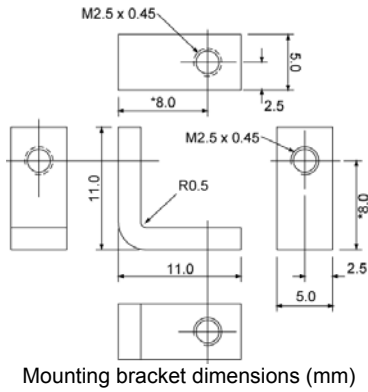
ACS-9095-05:

- 10/100MB Ethernet adaptor for Eurotech CPU Modules

Mechanical Dimensions

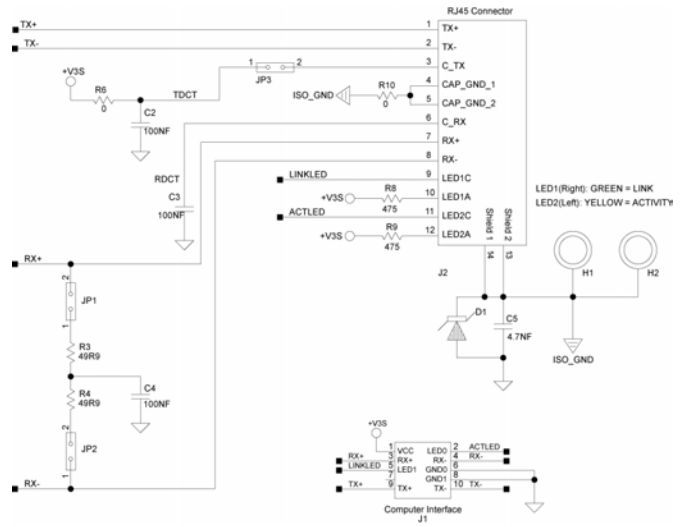


Mechanical Dimensions (Continued)



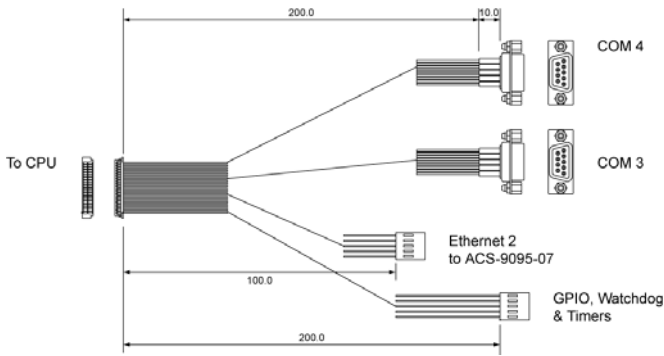
Mounting bracket dimensions (mm)

Schematics



703000083L

Module	CPU Connector
CPU-1421	J5



Connector Pinouts

- 1x Hirose DF13, 40pin (20x2) 1.25mm pitch
 - To CPU-1421 J5
- 2x Male D-Sub 9pin
 - COM4
 - COM3
- 2x Female Minitex, 10pin (5x2) with 2.54mm pitch
 - Ethernet 2
 - GPIO, Watchdog & Timers

From CPU	To ACS-9095	From CPU	To ACS-9095
11	5	12	2
13	9	14	10
15	3	16	4
17	1	18	6

Note: Only the pins relevant to the ACS-9095-07 are shown, users should consult the CPU-1421 User manual for the other pins.