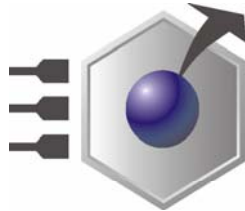


EmbeddedDNA[®]



An0055

CPU-1211 Cable-set

Rev. 4.0

Apr. 2006

COPYRIGHT 1994-2006 Eurotech S.p.A. All Rights Reserved.

ABOUT THIS MANUAL

This application note contains information regarding cable-set components for the CPU-1211



Via J. Linussio 1
33020 AMARO (UD)
ITALY
Phone: +39.0433.485.411
Fax: +39.0433.485.499

Website: www.eurotech.it
E-mail: sales@eurotech.it



NOTICE

Although all the information contained herein has been carefully verified, Eurotech S.p.A. assumes no responsibility for errors that might appear in this document, or for damage to property or persons resulting from an improper use of this manual and of the related software. Eurotech S.p.A. reserves the right to change the contents and form of this document, as well as the features and specifications of its products at any time, without notice.

Trademarks and registered trademarks appearing in this document are the property of their respective owners

Conventions

The following table lists conventions used throughout this guide.

Icon	Notice Type	Description
	Information note	Important features or instructions
	Warning	Information to alert you to potential damage to a program, system or device or potential personal injury

Abbreviations

NC: Not Connected

(This page is intentionally left blank.)

Contents

Conventions	3
Contents	5
Chapter 1 Component details	7
Cable-set components	8
Additional components	9
Chapter 2 Technical information	11
7000000045: IDE / Disk-On-Module	12
7000000030: Serial connector (2 pieces).....	13
7000000031: Parallel connector	14
7000000032: 2 Serial connectors	15
7000000091: CPU to Multifunction adaptor	16
ACS-6000-00: Parallel to Floppy drive(s) adaptor set.....	17
ACS-9072-00: Multifunction adaptor	20
7020000010: Auxiliary power	21
7001000007: Digital I/O	22
Related Documents.....	23
Where to find us	23

(This page is intentionally left blank.)

Chapter 1 Component details

This chapter gives a brief description of all the components available in the cable-sets and also additionally available components, please refer to the table below for the revision numbers of the cable-sets:

Cable-set Part Number	For use with:	Cable-set Revision Date
CBL-1211-00	CPU-1211-xx	13 Jan 2006

Cable-set components

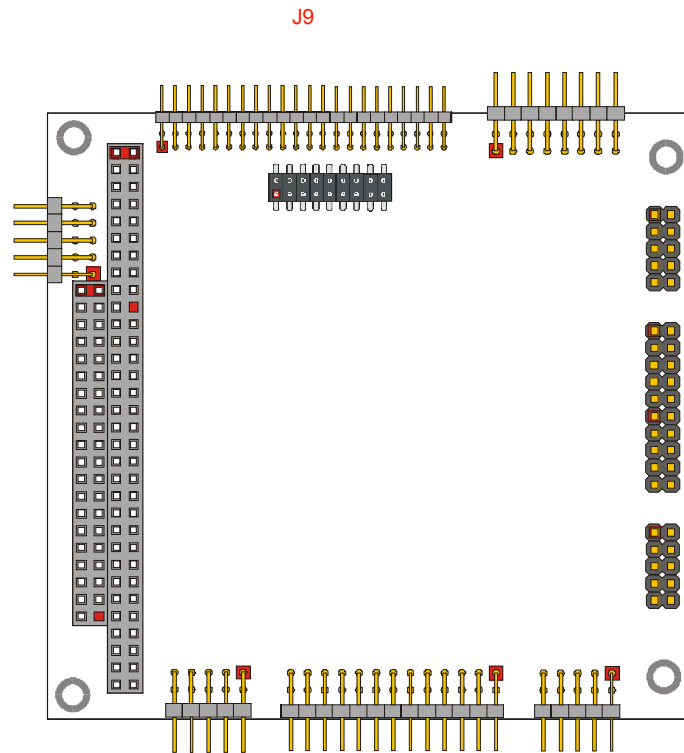


Figure 1 Connector layout on the CPU-1211 module (for reference only)

Qty.	Eurotech Part #	Relevant CPU Connector	Type	Description	Technical page #
1	700000045	Cable	J9	IDE and Disk-on-module	12
2	700000030	Cable	J5 or J6	Serial port 1 or 2	13
1	700000032	Cable	J10 and J11	Serial port 3 & 4	15
1	700000031	Cable	J4	Parallel	14
1	700000091	Cable	J3	CPU to Multifunction adaptor	16
1	700100007	Cable	J12	Digital I/O	22
1	702000010	Cable	J13	Auxiliary power	21
1	ACS-6000-00	Adaptor	--	Parallel to Floppy disc	17
1	ACS-9072-00	Adaptor	--	Multifunction adaptor	20

Table 1 Components available in the CBL-1211-00 Cable-set

Additional components

The following table shows a list of accessories that can be ordered separately, for pricing and availability contact your supplier quoting the Eurotech Part number and Quantity required:

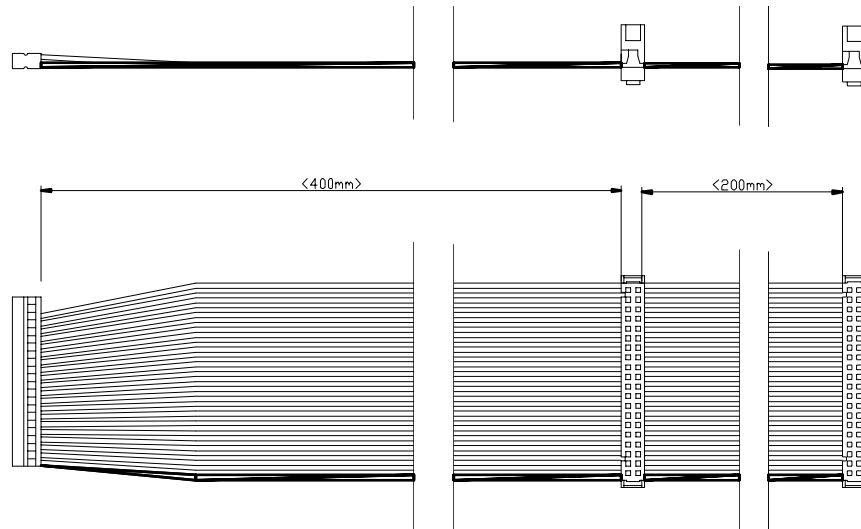
Eurotech Part #	CPU Connector	Type	Description
ACS-9070-00	J7	Adaptor Set	RS485 CAN interface module
ACS-9073-00	J8	Adaptor Set	AUI to TP Ethernet Transceiver
ACS-9073-01	J8	Adaptor Set	AUI to Coaxial Ethernet Transceiver
ACS-9073-02	J8	Adaptor Set	AUI to Fibre Optic Ethernet Transceiver

(This page is intentionally left blank.)

Chapter 2 Technical information

The following pages describe the assorted cables and adaptors in more detail.

700000045: IDE / Disk-On-Module



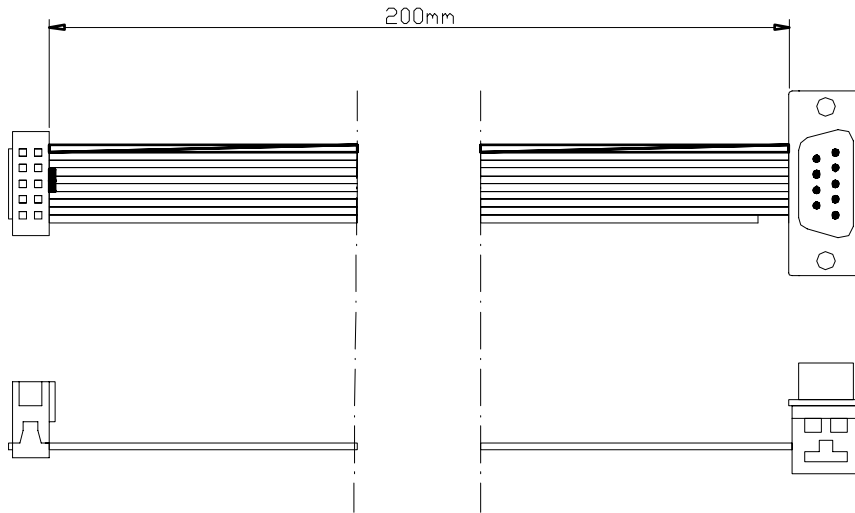
Connector #	Name	QTY Pins	Format	Pitch (mm)
P1	CPU J9	44	22x2	2.00
P2 & P3	Disc 1 & 2	40	20x2	2.54

P1 Pin	Description	Direction	Connector	Pin	P1 Pin	Description	Direction	Connector	Pin
1	RESET	>	P2 / P3	1	23	DIOW*	>	P2 / P3	23
2	Ground		P2 / P3	2	24	Ground		P2 / P3	24
3	DD7	<>	P2 / P3	3	25	DIOR*	>	P2 / P3	25
4	DD8	<>	P2 / P3	4	26	Ground		P2 / P3	26
5	DD6	<>	P2 / P3	5	27	IORDY	<	P2 / P3	27
6	DD9	<>	P2 / P3	6	28	Reserved		P2 / P3	28
7	DD5	<>	P2 / P3	7	29	DMACK*	>	P2 / P3	29
8	DD10	<>	P2 / P3	8	30	Ground		P2 / P3	30
9	DD4	<>	P2 / P3	9	31	INTRQ	<	P2 / P3	31
10	DD11	<>	P2 / P3	10	32	IOCS16*	<	P2 / P3	32
11	DD3	<>	P2 / P3	11	33	DA1	>	P2 / P3	33
12	DD12	<>	P2 / P3	12	34	PDIAG*	**	P2 / P3	34
13	DD2	<>	P2 / P3	13	35	DA0	>	P2 / P3	35
14	DD13	<>	P2 / P3	14	36	DA2	>	P2 / P3	36
15	DD1	<>	P2 / P3	15	37	CS1FX*	>	P2 / P3	37
16	DD14	<>	P2 / P3	16	38	CS3FX*	>	P2 / P3	38
17	DD0	<>	P2 / P3	17	39	DASP*	<	P2 / P3	39
18	DD15	<>	P2 / P3	18	40	Ground		P2 / P3	40
19	Ground		P2 / P3	19	41	NC	-	-	-
20	Key Pin		P2 / P3	20	42	NC	-	-	-
21	DMARQ	<	P2 / P3	21	43	NC	-	-	-
22	Ground		P2 / P3	22	44	NC	-	-	-

Notes:

- * = Active Low
- > = To drive from controller
- < = To controller from drive
- ** = Drive to drive intercommunication

700000030: Serial connector (2 pieces)

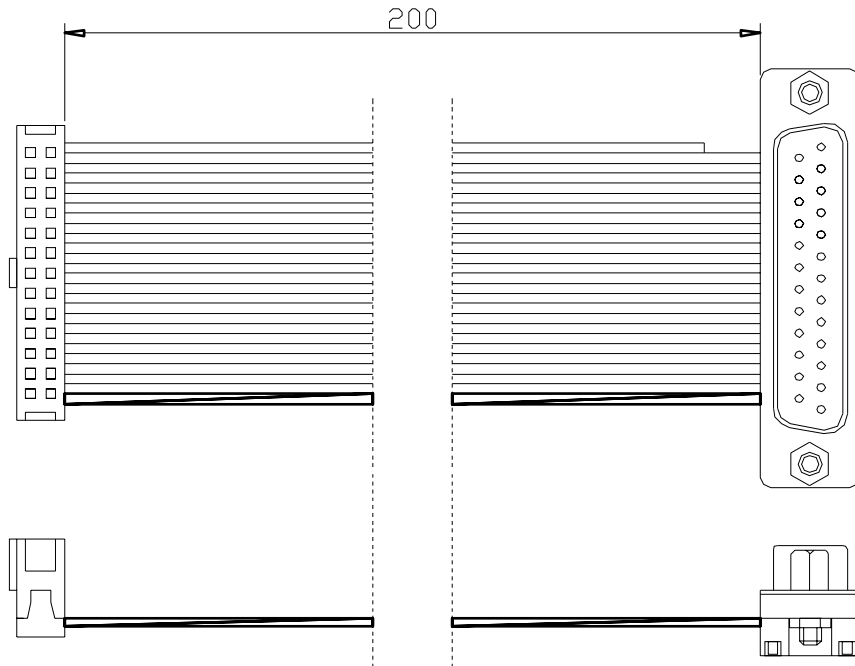


Connector #	Name	QTY Pins	Format	Pitch (mm)
P1	CPU J5 & J6	10	5x2	2.54
P2	Serial 1 or Serial 2	9	DB9 Male	-

P1 Pin #	Description	P2 Pin #
1	DCD	1
2	DSR	6
3	RX	2
4	RTS	7
5	TX	3

P1 Pin #	Description	P2 Pin #
6	CTS	8
7	DTR	4
8	RI	9
9	Ground	5
10	Ground	-

700000031: Parallel connector

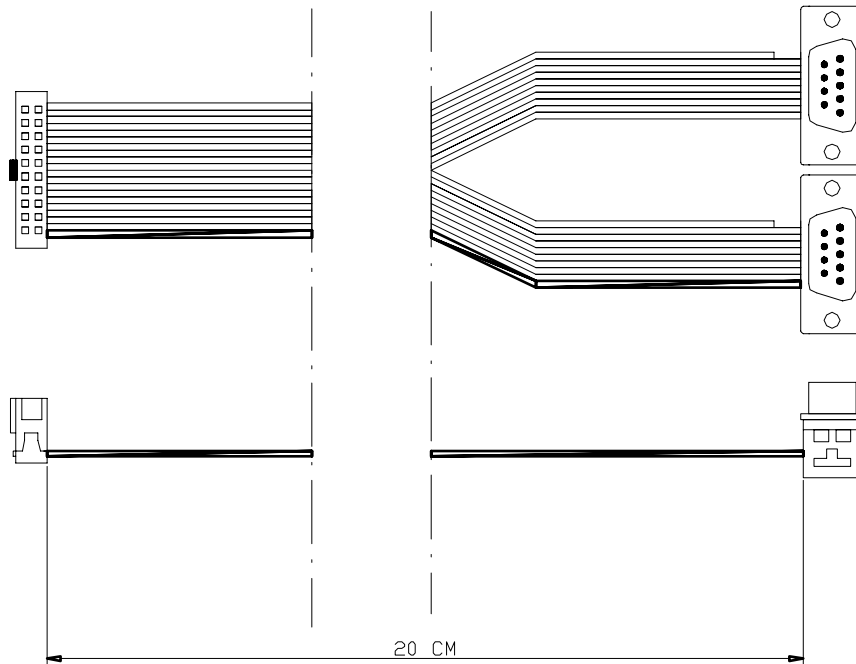


Connector #	Name	QTY Pins	Format	Pitch (mm)
P1	CPU J4	26	13x2	2.54
P2	Parallel Port	25	DB25 Female	-

P1 Pin #	Description	P2 Pin #	P1 Pin #	Description	P2 Pin #
1	STB#	1	14	GND	20
2	AFD#	14	15	PD6	8
3	PD0	2	16	GND	21
4	ERR#	15	17	PD7	9
5	PD1	3	18	GND	
6	INIT#	16	19	ACK#	10
7	PD2	4	20	GND	
8	SLIN#	17	21	BSY	11
9	PD3	5	22	GND	
10	GND	18	23	PE	12
11	PD4	6	24	GND	
12	GND	19	25	SLCT	13
13	PD5	7	26	NC	26

"#" = Active low signal

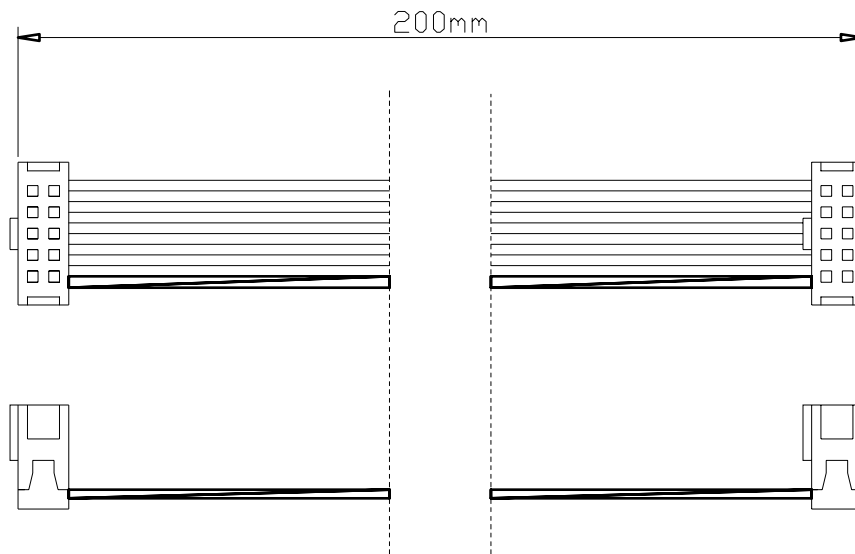
700000032: 2 Serial connectors



Connector #	Name	QTY Pins	Format	Pitch (mm)
P1	CPU J10 & J11	20	10x2	2.54
P2 & P3	Serial 3 & Serial 4	9	DB9 Male	-

P1 Pin #	Description	P2 Pin #	P1 Pin #	Description	P3 Pin #
1	DCD	1	11	DCD	1
2	DSR	6	12	DSR	6
3	RX	2	13	RX	2
4	RTS	7	14	RTS	7
5	TX	3	15	TX	3
6	CTS	8	16	CTS	8
7	DTR	4	17	DTR	4
8	RI	9	18	RI	9
9	Ground	5	19	Ground	5
10	Ground	-	20	Ground	-

700000091: CPU to Multifunction adaptor



Connector #	Name	QTY Pins	Format	Pitch (mm)
P1	CPU J3	10	5x2	2.54
P2	Multifunction adaptor	10	5x2	2.54

P1 Pin #	Description	P2 Pin #
1	Speaker +	1
2	Speaker -	2
3	Ext Reset (Active low)	3
4	NC	4
5	Keyboard Data	5

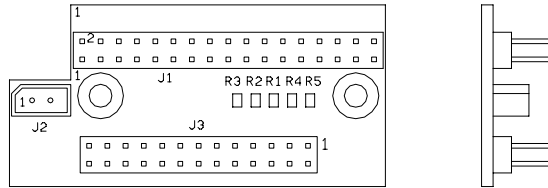
P1 Pin #	Description	P2 Pin #
6	Keyboard Clock	6
7	Ground	7
8	Keyboard Power (+5V)	8
9	VBAT	9
10	VPP (+12V)	10

ACS-6000-00: Parallel to Floppy drive(s) adaptor set

Package Contents:

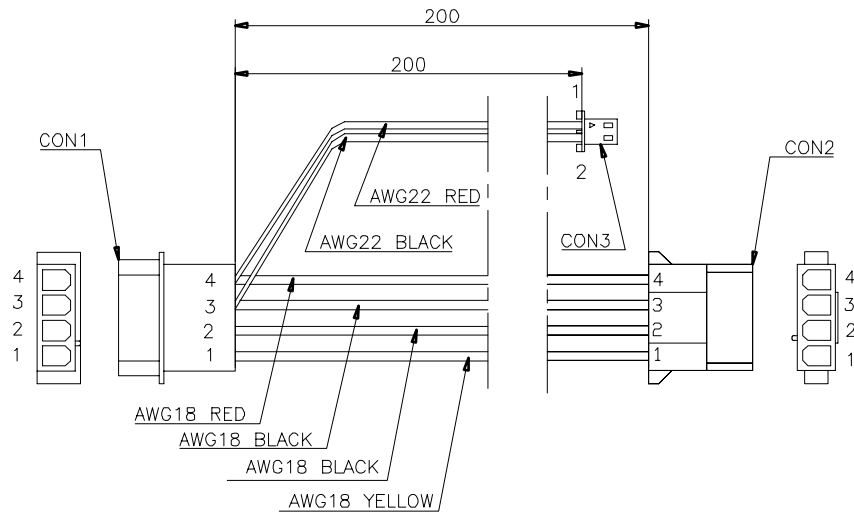
Qty	Part Number	Description
1	ACS-6000	Parallel to Floppy disc adaptor
1	7030000120	Cable form: Power supply to ACS-6000
1	7000000002	Cable form: CPU J3 to ACS-6000
1	7000000003	Cable form: ACS-6000 to Floppy disc 1 and 2

ACS-6000-00:



Component Label	Description	Pins	Format	Pitch (mm)
J1	To Floppy disc 1 & 2	34	17x2	2.54
J2	Power	2	Male	-
J3	From CPU J4	26	13x2	2.54

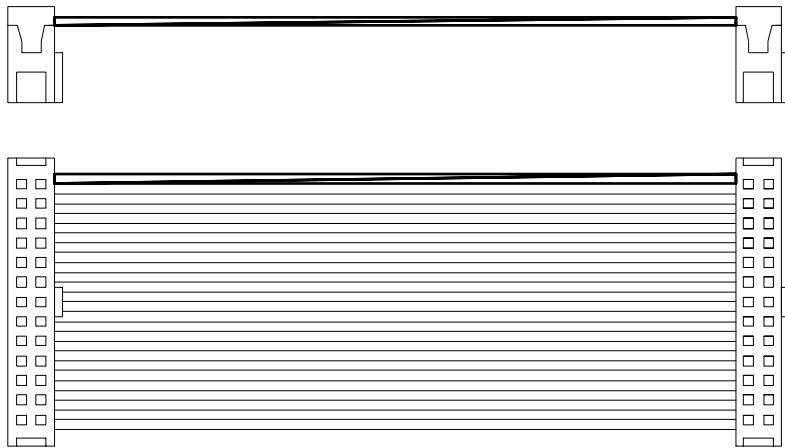
7030000120:



Connector #	QTY Pins	Format
CON1	4	Male
CON2	4	Female
CON3	2	Female

P1 Pin #	Description	CON 2	CON 3	P1 Pin #	Description	CON 2	CON 3
1	+12 V (Yellow)	1	NC	18	Ground (Black)	3	2
2	Ground (Black)	2	NC	19	+5V (RED)	4	1

700000002:

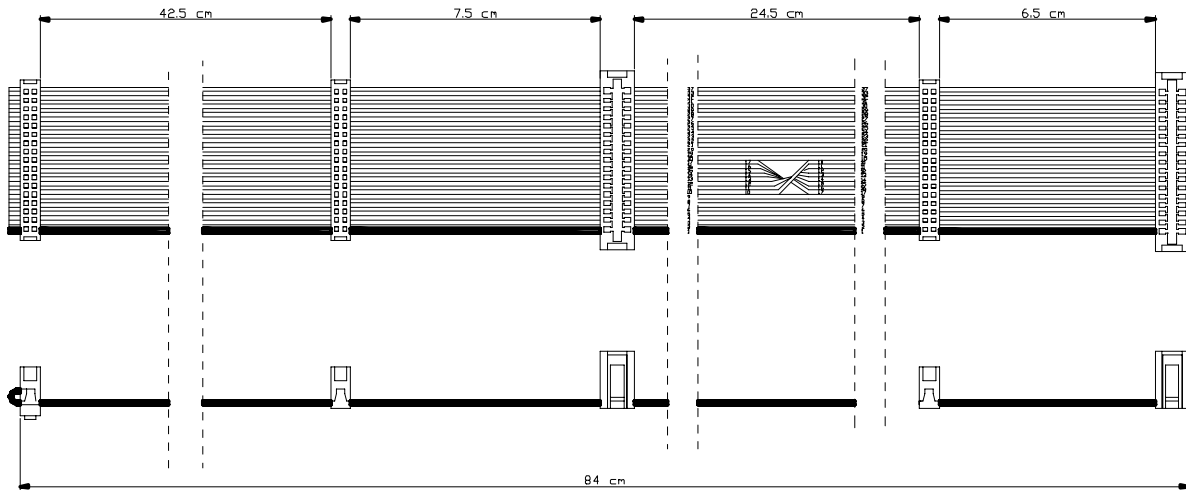


Connector #	Name	QTY Pins	Format	Pitch (mm)
P1	CPU J3	26	13x2	2.54
P2	ACS-6000	26	13x2	2.54

P1 Pin #	Description	P2 Pin #	P1 Pin #	Description	P2 Pin #
1	DSO#	1	14	Ground	14
2	DENSL#	2	15	MTR0#	15
3	INDEX#	3	16	Ground	16
4	HDSEL#	4	17	MEDIA-ID1#	17
5	TRK0#	5	18	Ground	8
6	DIR#	6	19	DS1#	19
7	WP#	7	20	Ground	20
8	STEP#	8	21	MTR1#	21
9	RDATA#	9	22	Ground	22
10	Ground	10	23	WDATA#	23
11	DSKCHG#	11	24	Ground	24
12	Ground	12	25	WGATE#	25
13	MEDIA-ID0#	13	26	---	26

Note: “#” Signal active low

700000003:



Connector #	Name	QTY Pins	Format	Pitch (mm)
P1	ACS-6000-00	34	17x2	2.54
P2	Floppy 1	34	17x2	2.54
P3	Floppy 1	34	Card Edge	-
P4	Floppy 2	34	17x2	2.54
P5	Floppy 2	34	Card Edge	-

P1 Pin #	Description	P2 / 3 Pin #	P4 / 5 Pin #
1	Ground	1	1
2	DRVDEN0	2	2
3	Ground	3	3
4	NC	4	4
5	Ground	5	5
6	DRVDEN1	6	6
7	Ground	7	7
8	INDEX	8	8
9	Ground	9	9
10	MOTEN1	10	16
11	Ground	11	15
12	DRVSEL1	12	14
13	Ground	13	13
14	DRVSEL2	14	12
15	Ground	15	11
16	MOTEN2	16	10
17	Ground	17	17

P1 Pin #	Description	P2 / 3 Pin #	P4 / 5 Pin #
18	DIRECTION	18	18
19	Ground	19	19
20	STEP	20	20
21	Ground	21	21
22	WRDATA	22	22
23	Ground	23	23
24	WREN	24	24
25	Ground	25	25
26	TRACK0	26	26
27	Ground	27	27
28	WRPROT	28	28
29	Ground	29	29
30	WDDATA	30	30
31	Ground	31	31
32	HEADSEL	32	32
33	Ground	33	33
34	DSKCHG	34	34

ACS-9072-00: Multifunction adaptor

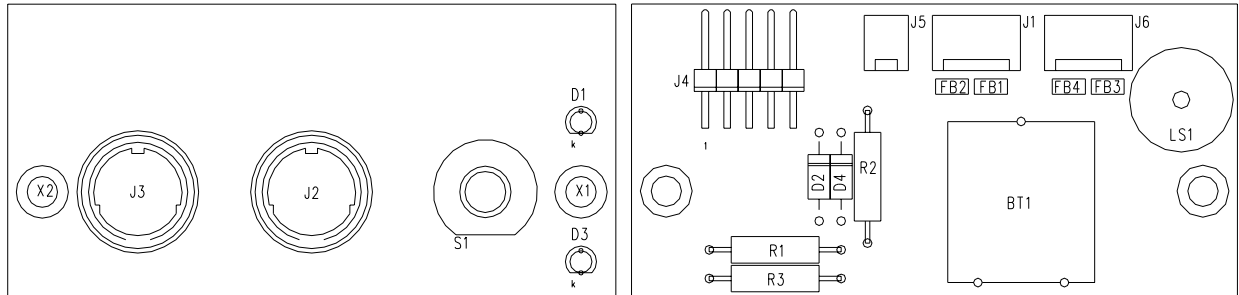


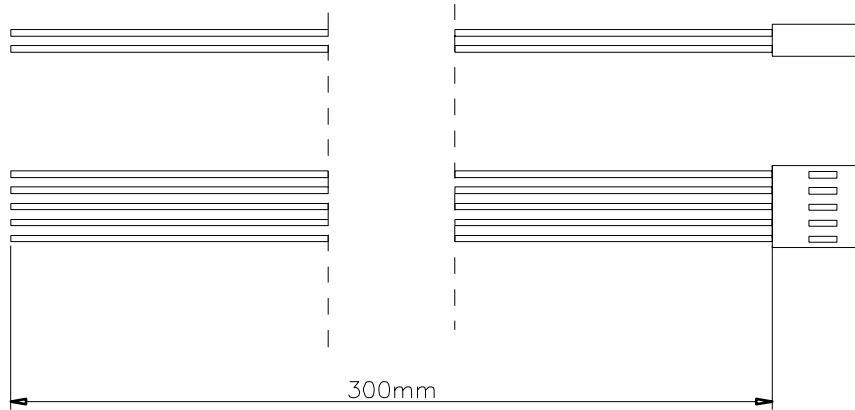
Figure 2 ACS-9072-00 Top / Bottom View

Component Label	Location	Description	Pins	Format	Pitch (mm)
BT1	Bottom	Battery, 3.6V, 60mAh	-	-	-
LS1	Bottom	Speaker,	-	-	-
D1	Top	LED (Green), Power	-	-	-
D3	Top	LED (Yellow), Speaker	-	-	-
S1	Top	Reset Button	-	-	-
J1	Bottom	Extension Keyboard	4	4x1	2.54
J2	Top	Keyboard Input	6	Mini DIN	-
J3	Top	Mouse Input	6	Mini DIN	-
J4	Bottom	Multifunction Output	10	5x2	2.54
J5	Bottom	Not Used with this CPU	2	2x1	2.54
J6	Bottom	Mouse Output	4	4x1	2.54

Connector	Description	Pin #	Signal
J1	Ext. Keyboard Input	1	VCC
		2	KB Clock
		3	Ground
		4	KB Data
		5	KB Clock
		6	NC
J2	Keyboard Input	1	KB Data
		2	NC
		3	Ground
		4	VCC
		5	KB Clock
		6	NC
J3	Mouse Input	1	Mouse Data
		2	NC
		3	Ground
		4	VCC
		5	Mouse Clock
		6	NC

Connector	Description	Pin #	Signal
J4	Multifunction Output To CPU J3	1	SPKR
		2	NC
		3	RES_PB_IN
		4	NC
		5	KBDAT
		6	KBCLK
		7	GND
		8	+5V
		9	BATT_IN
		10	NC
J6	Mouse output	1	VCC
		2	Mouse Clock
		3	Ground
		4	Mouse Data

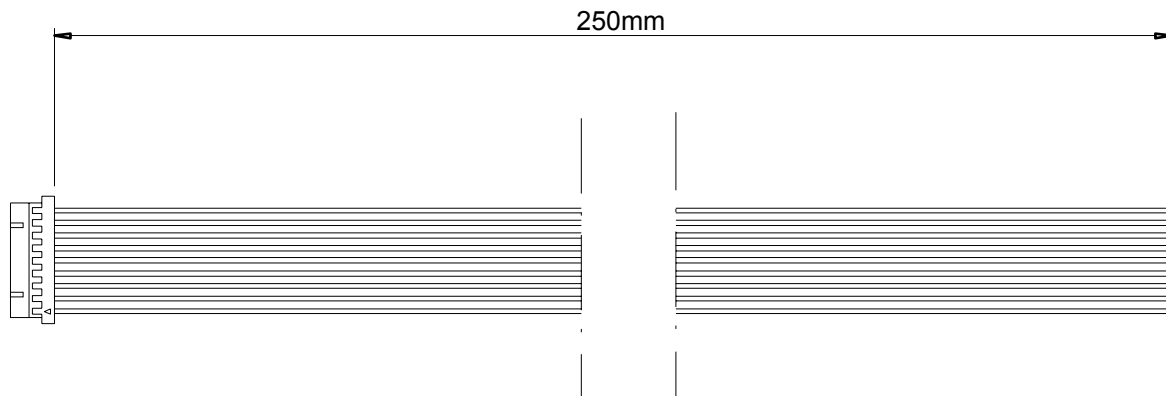
702000010: Auxiliary power



Connector #	Name	QTY Pins	Format	Pitch (mm)
P1	CPU J13	10	5x2	2.54

Pin #	Signal	Cable Colour
1	+5V DC	Black
2	+5V DC	Black
3	-5V DC	Green
4	-5V DC	Green
5	+12V DC	Yellow
6	+12V DC	Yellow
7	-12V DC	White
8	-12V DC	White
9	Ground	Red
10	Ground	Red

7001000007: Digital I/O



Connector #	Name	QTY Pins	Format	Pitch (mm)
P1	CPU J12	18	9x2	2.00

P1 Pin #	Description	P1 Pin #	Description
1	I/O 0	10	I/O 9
2	I/O 1	11	I/O 10
3	I/O 2	12	I/O 11
4	I/O 3	13	I/O 12
5	I/O 4 –INT	14	I/O 13
6	I/O 5	15	I/O 14
7	I/O 6	16	I/O 15
8	I/O 7	17	VDD
9	I/O 8	18	GND

Related Documents

For further information please refer to the CPU-1211 User manual.

Where to find us

Eurotech S.p.A.

Via J. Linussio 1
33020 AMARO (UD)
ITALY

Phone: +39.0433.485.411
Fax: +39.0433.485.499

Web: www.eurotech.it
E-mail: sales@eurotech.it