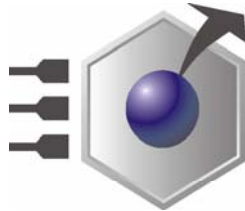


EmbeddedDNA[®]



An0053

CPU-1210 Cable-set

Rev. 4.0

Apr. 2006

COPYRIGHT 1994-2006 Eurotech S.p.A. All Rights Reserved.

ABOUT THIS MANUAL

This application note contains information regarding cable-set components for the CPU-1210



Via J. Linussio 1
33020 AMARO (UD)
ITALY
Phone: +39.0433.485.411
Fax: +39.0433.485.499

Website: www.eurotech.it
E-mail: sales@eurotech.it



NOTICE

Although all the information contained herein has been carefully verified, Eurotech S.p.A. assumes no responsibility for errors that might appear in this document, or for damage to property or persons resulting from an improper use of this manual and of the related software. Eurotech S.p.A. reserves the right to change the contents and form of this document, as well as the features and specifications of its products at any time, without notice.

Trademarks and registered trademarks appearing in this document are the property of their respective owners

Conventions

The following table lists conventions used throughout this guide.

Icon	Notice Type	Description
	Information note	Important features or instructions
	Warning	Information to alert you to potential damage to a program, system or device or potential personal injury

Abbreviations

NC: Not Connected

(This page is intentionally left blank.)

Contents

Conventions	3
Contents	5
Chapter 1 Component details	7
Cable-set components	8
Chapter 2 Technical information	9
7000000004: EIDE.....	10
7000000003: Floppy disc.....	11
7000000030: Serial connector (2 pieces).....	12
7000000031: Parallel connector	13
7020000010: Auxiliary power	14
7000000091: CPU to Multifunction adaptor	15
ACS-9072-00: Multifunction adaptor	16
Related Documents.....	17
Where to find us.....	17

(This page is intentionally left blank.)

Chapter 1 Component details

This chapter gives a brief description of all the components available in the cable-sets and also additionally available components, please refer to the table below for the revision numbers of the cable-sets:

Cable-set Part Number	For use with:	Cable-set Revision Date
CBL-1210-00	CPU-1210-xx	13 Jan 2006

Cable-set components

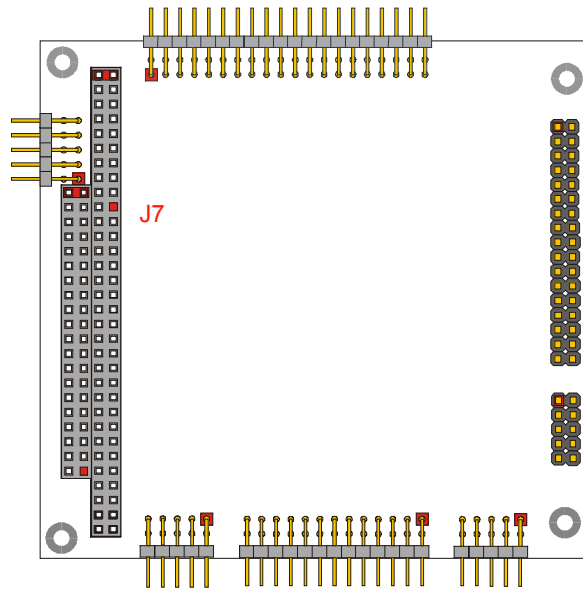


Figure 1 Connector layout on the CPU-1210 module (for reference only)

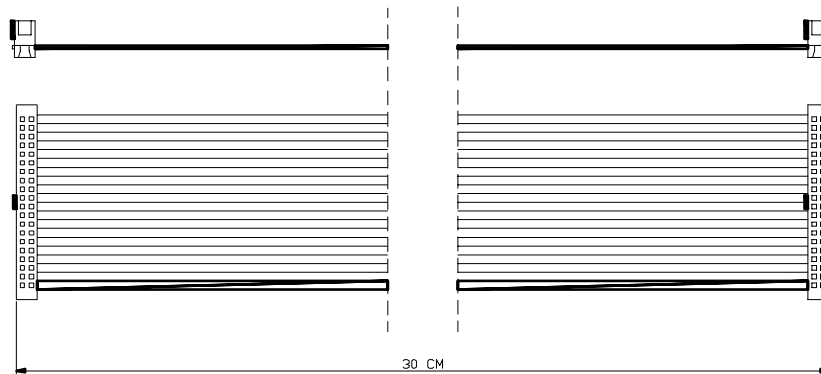
Eurotech Part #	Qty.	Relevant CPU Connector	Type	Description	Technical page #
7000000004	1	J4	Cable	2 x EIDE	10
7000000003	1	J5	Cable	Floppy disc	11
7000000030	2	J1 or J2	Cable	Serial 1 or Serial 2	12
7000000031	1	J3	Cable	Parallel port	13
7020000010	1	J9	Cable	Auxiliary Power	14
7000000091	1	J6	Cable	CPU to Multi function adaptor	15
ACS-9072-00	1	--	Adaptor	Multifunction adaptor	16

Table 1 Components available in the CBL-1210-00 Cable-set

Chapter 2 Technical information

The following pages describe the assorted cables and adaptors in more detail.

700000004: EIDE



Connector #	Name	QTY Pins	Format	Pitch (mm)
P1	CPU J4	40	20x2	2.54
P2 & P3	EIDE Device	40	20x2	2.54

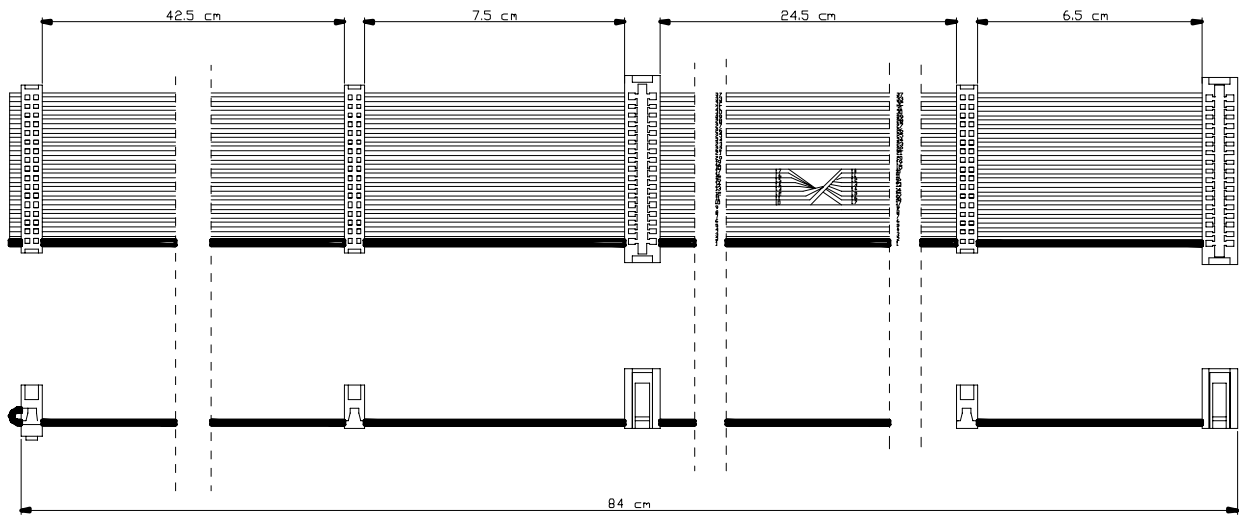
P1 Pin #	Description	Direction	Connector #	Pin #
1	RESET	>	P2 / P3	1
2	Ground		P2 / P3	2
3	DD7	<>	P2 / P3	3
4	DD8	<>	P2 / P3	4
5	DD6	<>	P2 / P3	5
6	DD9	<>	P2 / P3	6
7	DD5	<>	P2 / P3	7
8	DD10	<>	P2 / P3	8
9	DD4	<>	P2 / P3	9
10	DD11	<>	P2 / P3	10
11	DD3	<>	P2 / P3	11
12	DD12	<>	P2 / P3	12
13	DD2	<>	P2 / P3	13
14	DD13	<>	P2 / P3	14
15	DD1	<>	P2 / P3	15
16	DD14	<>	P2 / P3	16
17	DD0	<>	P2 / P3	17
18	DD15	<>	P2 / P3	18
19	Ground		P2 / P3	19
20	Key Pin		P2 / P3	20

P1 Pin #	Description	Direction	Connector #	Pin #
21	DMARQ	<	P2 / P3	21
22	Ground		P2 / P3	22
23	DIOW*	>	P2 / P3	23
24	Ground		P2 / P3	24
25	DIOR*	>	P2 / P3	25
26	Ground		P2 / P3	26
27	IORDY	<	P2 / P3	27
28	Reserved		P2 / P3	28
29	DMACK*	>	P2 / P3	29
30	Ground		P2 / P3	30
31	INTRQ	<	P2 / P3	31
32	IOCS16*	<	P2 / P3	32
33	DA1	>	P2 / P3	33
34	PDIAG*	**	P2 / P3	34
35	DA0	>	P2 / P3	35
36	DA2	>	P2 / P3	36
37	CS1FX*	>	P2 / P3	37
38	CS3FX*	>	P2 / P3	38
39	DASP*	<	P2 / P3	39
40	Ground		P2 / P3	40

Notes:

- * = Active Low
- > = To drive from controller
- < = To controller from drive
- ** = Drive to drive intercommunication

700000003: Floppy disc

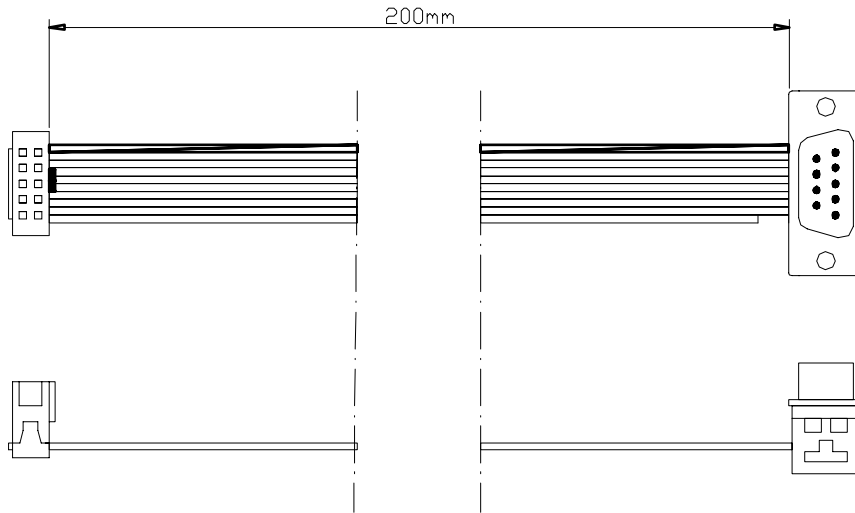


Connector #	Name	QTY Pins	Format	Pitch (mm)
P1	CPU J5	34	17x2	2.54
P2	Floppy 1	34	17x2	2.54
P3	Floppy 1	34	Card Edge	-
P4	Floppy 2	34	17x2	2.54
P5	Floppy 2	34	Card Edge	-

P1 Pin #	Description	P2 / 3 Pin #	P4 / 5 Pin #
1	Ground	1	1
2	DRV DEN0	2	2
3	Ground	3	3
4	NC	4	4
5	Ground	5	5
6	DRV DEN1	6	6
7	Ground	7	7
8	INDEX	8	8
9	Ground	9	9
10	MOTEN1	10	16
11	Ground	11	15
12	DRVSEL1	12	14
13	Ground	13	13
14	DRVSEL2	14	12
15	Ground	15	11
16	MOTEN2	16	10
17	Ground	17	17

P1 Pin #	Description	P2 / P3 Pin #	P4 / 5 Pin #
18	DIRECTION	18	18
19	Ground	19	19
20	STEP	20	20
21	Ground	21	21
22	WRDATA	22	22
23	Ground	23	23
24	WREN	24	24
25	Ground	25	25
26	TRACK0	26	26
27	Ground	27	27
28	WRPROT	28	28
29	Ground	29	29
30	WDDATA	30	30
31	Ground	31	31
32	HEADSEL	32	32
33	Ground	33	33
34	DSKCHG	34	34

700000030: Serial connector (2 pieces)

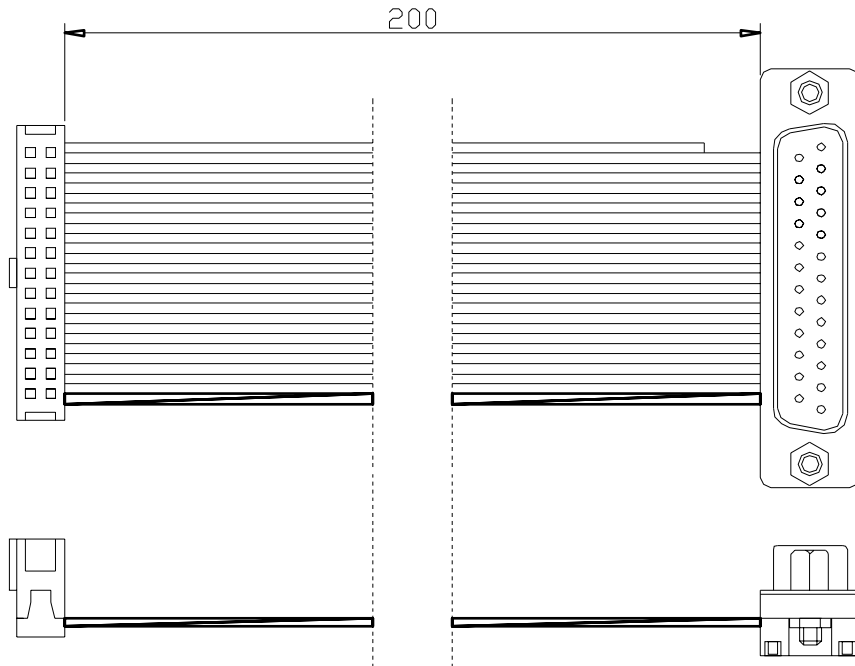


Connector #	Name	QTY Pins	Format	Pitch (mm)
P1	CPU J1 & J2	10	5x2	2.54
P2	Serial 1 or Serial 2	9	DB9 Male	-

P1 Pin #	Description	P2 Pin #
1	DCD	1
2	DSR	6
3	RX	2
4	RTS	7
5	TX	3

P1 Pin #	Description	P2 Pin #
6	CTS	8
7	DTR	4
8	RI	9
9	Ground	5
10	Ground	-

700000031: Parallel connector

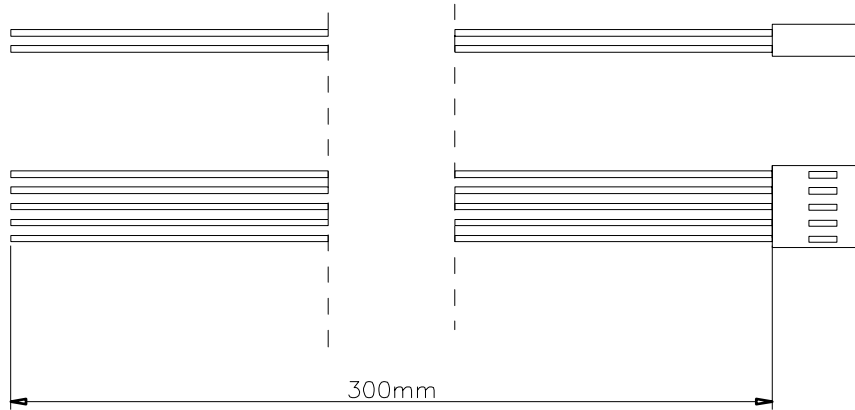


Connector #	Name	QTY Pins	Format	Pitch (mm)
P1	CPU J3	26	13x2	2.54
P2	Parallel Port	25	DB25 Female	-

P1 Pin #	Description	P2 Pin #	P1 Pin #	Description	P2 Pin #
1	STB#	1	14	GND	20
2	AFD#	14	15	PD6	8
3	PD0	2	16	GND	21
4	ERR#	15	17	PD7	9
5	PD1	3	18	GND	
6	INIT#	16	19	ACK#	10
7	PD2	4	20	GND	
8	SLIN#	17	21	BSY	11
9	PD3	5	22	GND	
10	GND	18	23	PE	12
11	PD4	6	24	GND	
12	GND	19	25	SLCT	13
13	PD5	7	26	NC	26

"#" = Active low signal

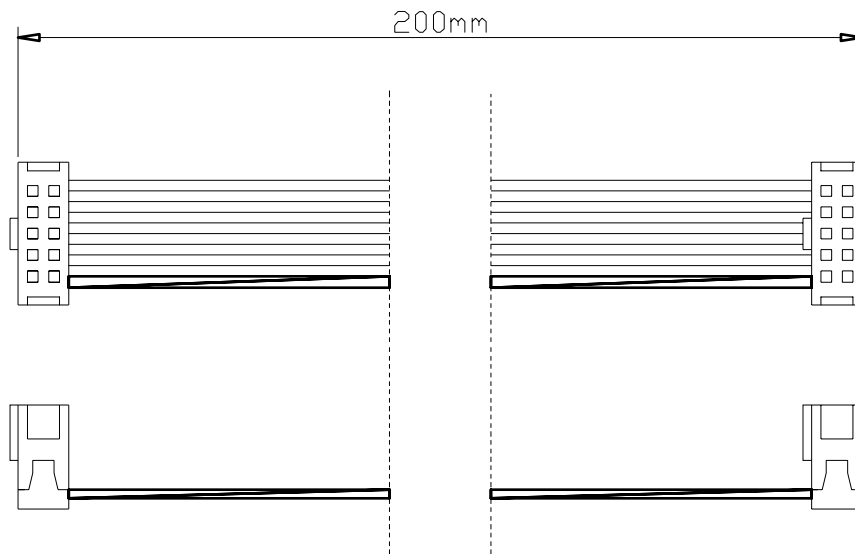
702000010: Auxiliary power



Connector #	Name	QTY Pins	Format	Pitch (mm)
P1	CPU J9	10	5x2	2.54

Pin #	Signal	Cable Colour
1	+5V DC	Black
2	+5V DC	Black
3	-5V DC	Green
4	-5V DC	Green
5	+12V DC	Yellow
6	+12V DC	Yellow
7	-12V DC	White
8	-12V DC	White
9	Ground	Red
10	Ground	Red

700000091: CPU to Multifunction adaptor



Connector #	Name	QTY Pins	Format	Pitch (mm)
P1	CPU J6	10	5x2	2.54
P2	Multifunction adaptor	10	5x2	2.54

P1 Pin #	Description	P2 Pin #
1	Speaker +	1
2	Speaker -	2
3	Ext Reset (Active low)	3
4	NC	4
5	Keyboard Data	5

P1 Pin #	Description	P2 Pin #
6	Keyboard Clock	6
7	Ground	7
8	Keyboard Power (+5V)	8
9	VBAT	9
10	VPP (+12V)	10

ACS-9072-00: Multifunction adaptor

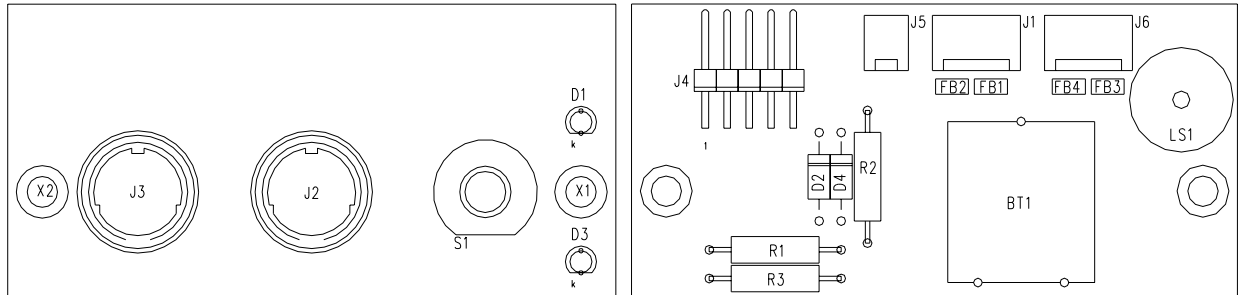


Figure 2 ACS-9072-00 Top / Bottom View

Component Label	Location	Description	Pins	Format	Pitch (mm)
BT1	Bottom	Battery, 3.6V, 60mAh	-	-	-
LS1	Bottom	Speaker,	-	-	-
D1	Top	LED (Green), Power	-	-	-
D3	Top	LED (Yellow), Speaker	-	-	-
S1	Top	Reset Button	-	-	-
J1	Bottom	Extension Keyboard	4	4x1	2.54
J2	Top	Keyboard Input	6	Mini DIN	-
J3	Top	Mouse Input	6	Mini DIN	-
J4	Bottom	Multifunction Output	10	5x2	2.54
J5	Bottom	Not Used with this CPU	2	2x1	2.54
J6	Bottom	Mouse Output	4	4x1	2.54

Connector	Description	Pin #	Signal
J1	Ext. Keyboard Input	1	VCC
		2	KB Clock
		3	Ground
		4	KB Data
		5	KB Clock
		6	NC
J2	Keyboard Input	1	KB Data
		2	NC
		3	Ground
		4	VCC
		5	KB Clock
		6	NC
J3	Mouse Input	1	Mouse Data
		2	NC
		3	Ground
		4	VCC
		5	Mouse Clock
		6	NC

Connector	Description	Pin #	Signal
J4	Multifunction Output To CPU J6	1	SPKR
		2	NC
		3	RES_PB_IN
		4	NC
		5	KBDAT
		6	KBCLK
		7	GND
		8	+5V
		9	BATT_IN
		10	NC
J6	Mouse output	1	VCC
		2	Mouse Clock
		3	Ground
		4	Mouse Data

Related Documents

For further information please refer to the CPU-1210 User manual.

Where to find us

Eurotech S.p.A.

Via J. Linussio 1
33020 AMARO (UD)
ITALY

Phone: +39.0433.485.411
Fax: +39.0433.485.499

Web: www.eurotech.it
E-mail: sales@eurotech.it