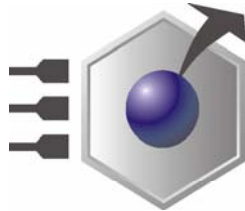


***EmbeddedDNA***<sup>®</sup>



***An0035***

**CPU-1232 Cable-set**

Rev. 4.0

Apr. 2006

COPYRIGHT 1994-2006 Eurotech S.p.A. All Rights Reserved.

## ABOUT THIS MANUAL

This application note contains information regarding cable-set components for the CPU-1232



Via J. Linussio 1  
33020 AMARO (UD)  
ITALY  
Phone: +39.0433.485.411  
Fax: +39.0433.485.499

Website: [www.eurotech.it](http://www.eurotech.it)  
E-mail: [sales@eurotech.it](mailto:sales@eurotech.it)

## NOTICE



**Although all the information contained herein has been carefully verified, Eurotech S.p.A. assumes no responsibility for errors that might appear in this document, or for damage to property or persons resulting from an improper use of this manual and of the related software. Eurotech S.p.A. reserves the right to change the contents and form of this document, as well as the features and specifications of its products at any time, without notice.**

Trademarks and registered trademarks appearing in this document are the property of their respective owners

---

## Conventions

The following table lists conventions used throughout this guide.

Icon	Notice Type	Description
	<b>Information note</b>	Important features or instructions
	<b>Warning</b>	Information to alert you to potential damage to a program, system or device or potential personal injury

### Abbreviations

NC: Not Connected

(This page is intentionally left blank.)

# Contents

---

Conventions .....	3
<b>Contents</b> .....	<b>5</b>
<b>Chapter 1 Component details</b> .....	<b>7</b>
Cable-set components .....	8
Additional components .....	9
<b>Chapter 2 Technical information</b> .....	<b>11</b>
7000000045: IDE / Disk-On-Module .....	12
7000000030: Serial connector (2 pieces).....	13
7000000095: VGA .....	14
7000000031: Parallel connector .....	15
7020000011: Auxiliary power .....	16
7030000054: CPU Mouse to Multifunction Adaptor.....	17
7000000105: CPU to Multifunction adaptor .....	18
7030000070: LCD / TFT .....	19
ACS-6000-00: Parallel to Floppy drive(s) adaptor set.....	20
ACS-9072-00: Multifunction adaptor.....	23
ACS-9071-05: 1x RJ45 Ethernet 10/100MB adaptor .....	24
ACS-9075-00: 2-Port USB adaptor .....	24
ACS-9076-00: AC97 Audio CODEC .....	24
Related Documents.....	25
Where to find us .....	25

(This page is intentionally left blank.)

## Chapter 1 Component details

---

This chapter gives a brief description of all the components available in the cable-sets and also additionally available components, please refer to the table below for the revision numbers of the cable-sets:

Cable-set Part Number	For use with	Cable-set Revision Date
CBL-1232-00	CPU-1232-xx	11 Jan 2006

---

## Cable-set components

Figure 1 Connector layout on the CPU-1232 module (for reference only)

<b>Eurotech Part #</b>	<b>Qty.</b>	<b>Relevant CPU Connector</b>	<b>Type</b>	<b>Description</b>	<b>Technical Page #</b>
7000000045	1	J9	Cable	IDE and Disk-on-module	12
7000000030	2	J6 or J16	Cable	Serial 1 and Serial 2	13
7000000095	1	J10	Cable	VGA	14
7000000031	1	J16	Cable	Parallel	15
7020000011	1	J11	Cable	Auxiliary power	16
7030000054	1	J14	Cable	Mouse	17
7000000105	1	J3	Cable	CPU to ACS-9072-00	18
7030000070	1	J19	Cable	LCD / TFT	19
ACS-9072-00	1	--	Adaptor	Multifunction adaptor	23
ACS-6000-00	1	--	Adaptor	Parallel to Floppy disc	20

Table 1 Components available in the CBL-1232-00 Cable-set



---

## Additional components

The following table shows a list of accessories that can be ordered separately, for pricing and availability contact your supplier quoting the Eurotech Part number and Quantity required:

<b>Eurotech Part #</b>	<b>CPU Connector</b>	<b>Type</b>	<b>Description</b>	<b>Ref Page</b>
<b>ACS-9071-05</b>	J18	Adaptor Set	10/100MB Ethernet	24
<b>ACS-9076-00</b>	J8	Adaptor Set	AC97 Audio CODEC	24
<b>ACS-9075-00</b>	J7	Adaptor Set	2-Port USB adaptor	24

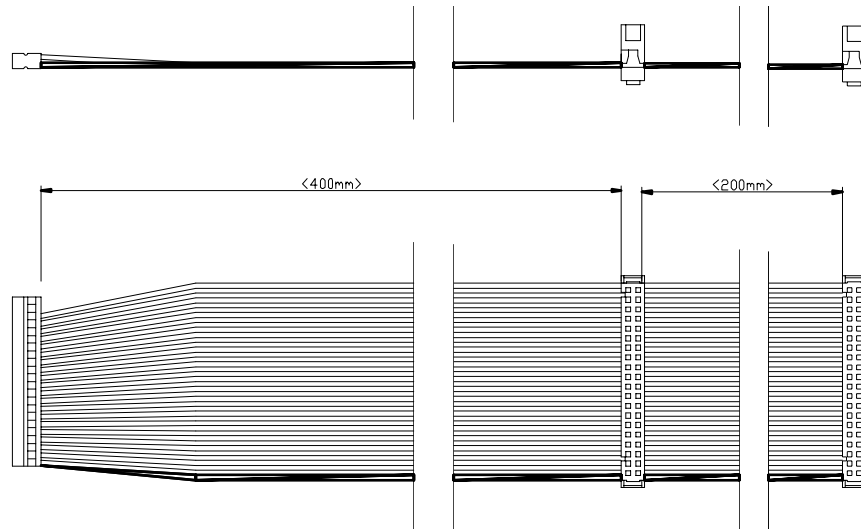
(This page is intentionally left blank.)

## **Chapter 2 Technical information**

---

The following pages describe the assorted cables and adaptors in more detail.

## 700000045: IDE / Disk-On-Module



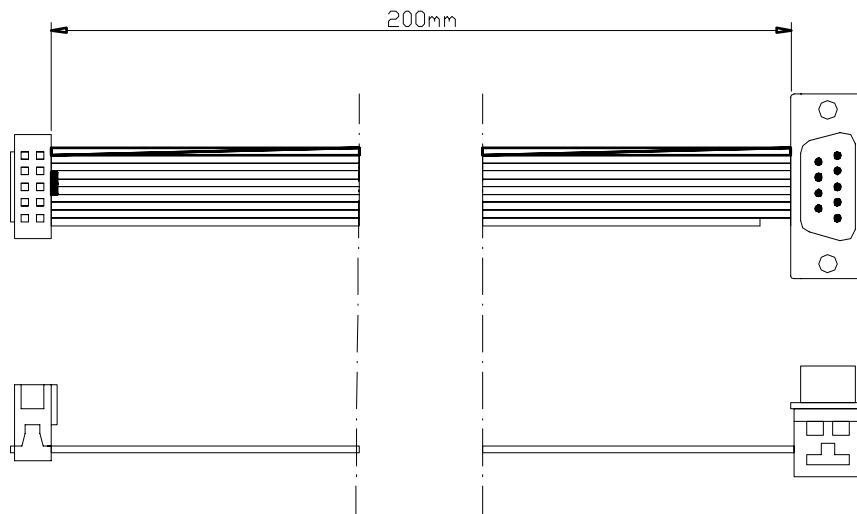
Connector #	Name	QTY Pins	Format	Pitch (mm)
P1	CPU J9	44	22x2	2.00
P2 & P3	Disc 1 & 2	40	20x2	2.54

P1 Pin	Description	Direction	Connector	Pin	P1 Pin	Description	Direction	Connector	Pin
1	RESET	>	P2 / P3	1	23	DIOW*	>	P2 / P3	23
2	Ground		P2 / P3	2	24	Ground		P2 / P3	24
3	DD7	<>	P2 / P3	3	25	DIOR*	>	P2 / P3	25
4	DD8	<>	P2 / P3	4	26	Ground		P2 / P3	26
5	DD6	<>	P2 / P3	5	27	IORDY	<	P2 / P3	27
6	DD9	<>	P2 / P3	6	28	Reserved		P2 / P3	28
7	DD5	<>	P2 / P3	7	29	DMACK*	>	P2 / P3	29
8	DD10	<>	P2 / P3	8	30	Ground		P2 / P3	30
9	DD4	<>	P2 / P3	9	31	INTRQ	<	P2 / P3	31
10	DD11	<>	P2 / P3	10	32	IOCS16*	<	P2 / P3	32
11	DD3	<>	P2 / P3	11	33	DA1	>	P2 / P3	33
12	DD12	<>	P2 / P3	12	34	PDIAG*	**	P2 / P3	34
13	DD2	<>	P2 / P3	13	35	DA0	>	P2 / P3	35
14	DD13	<>	P2 / P3	14	36	DA2	>	P2 / P3	36
15	DD1	<>	P2 / P3	15	37	CS1FX*	>	P2 / P3	37
16	DD14	<>	P2 / P3	16	38	CS3FX*	>	P2 / P3	38
17	DD0	<>	P2 / P3	17	39	DASP*	<	P2 / P3	39
18	DD15	<>	P2 / P3	18	40	Ground		P2 / P3	40
19	Ground		P2 / P3	19	41	NC	-	-	-
20	Key Pin		P2 / P3	20	42	NC	-	-	-
21	DMARQ	<	P2 / P3	21	43	NC	-	-	-
22	Ground		P2 / P3	22	44	NC	-	-	-

### Notes:

- \* = Active Low
- > = To drive from controller
- < = To controller from drive
- \*\* = Drive to drive intercommunication

**7000000030: Serial connector (2 pieces)**

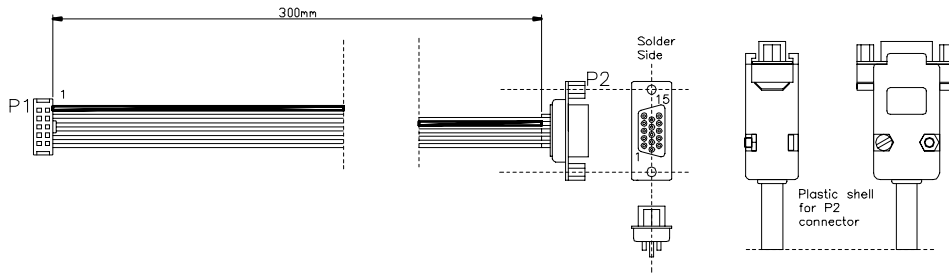


Connector #	Name	QTY Pins	Format	Pitch (mm)
P1	CPU J6 & J16	10	5x2	2.54
P2	Serial 1 or Serial 2	9	DB9 Male	-

P1 Pin #	Description	P2 Pin #
1	DCD	1
2	DSR	6
3	RX	2
4	RTS	7
5	TX	3

P1 Pin #	Description	P2 Pin #
6	CTS	8
7	DTR	4
8	RI	9
9	Ground	5
10	Ground	-

**7000000095: VGA**

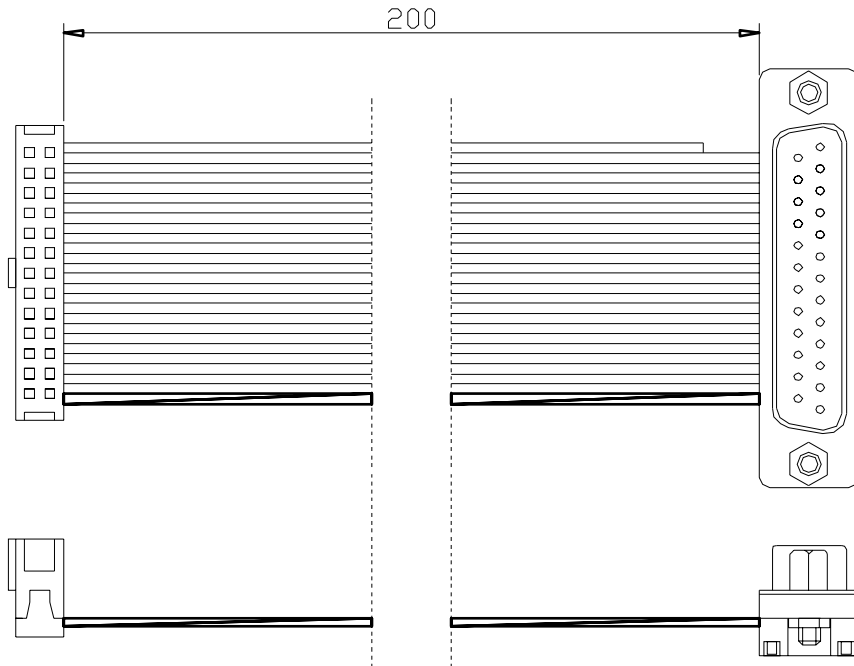


Connector #	Name	QTY Pins	Format	Pitch (mm)
P1	CPU J10	10	5x2	2.54
P2	VGA	15	DB15 Female	-

P1 Pin #	Description	P2 Pin #
1	VSYNC	14
2	HSYNC	13
3	DDC0	12
4	RED	1
5	DDC1	15

P1 Pin #	Description	P2 Pin #
6	GREEN	2
7	NC	-
8	BLUE	3
9	AGND	6, 7, 8
10	GND	5, 10

**700000031: Parallel connector**

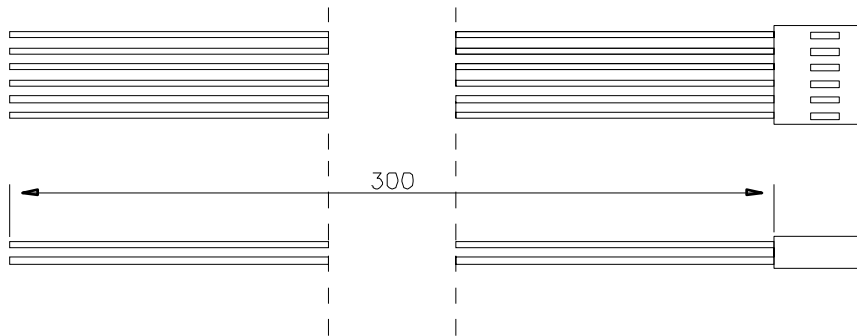


Connector #	Name	QTY Pins	Format	Pitch (mm)
P1	CPU J16	26	13x2	2.54
P2	Parallel Port	25	DB25 Female	-

P1 Pin #	Description	P2 Pin #	P1 Pin #	Description	P2 Pin #
1	STB#	1	14	GND	20
2	AFD#	14	15	PD6	8
3	PD0	2	16	GND	21
4	ERR#	15	17	PD7	9
5	PD1	3	18	GND	
6	INIT#	16	19	ACK#	10
7	PD2	4	20	GND	
8	SLIN#	17	21	BSY	11
9	PD3	5	22	GND	
10	GND	18	23	PE	12
11	PD4	6	24	GND	
12	GND	19	25	SLCT	13
13	PD5	7	26	NC	26

"#" = Active low signal

## 702000011: Auxiliary power

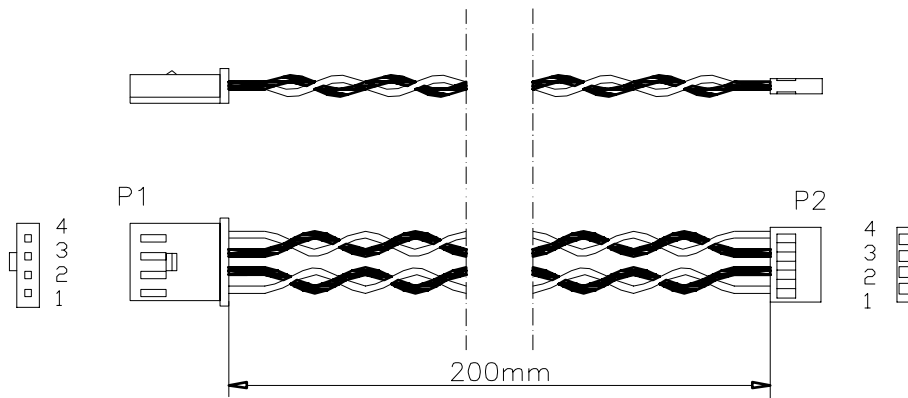


Connector #	Name	QTY Pins	Format	Pitch (mm)
P1	CPU J11	12	6x2	2.54

Pin #	Signal	Cable Colour
1	GND	Red
2	VDD	Black
3	N.C.	Yellow
4	+12v	Not Connected
5	-5V	Green
6	-12V	Orange
7	GND	Red
8	VDD	Black
9	N.C.	Not Connected
10	PWRBTN#	Black
11	+5VSB	Grey
12	PSON#	Purple



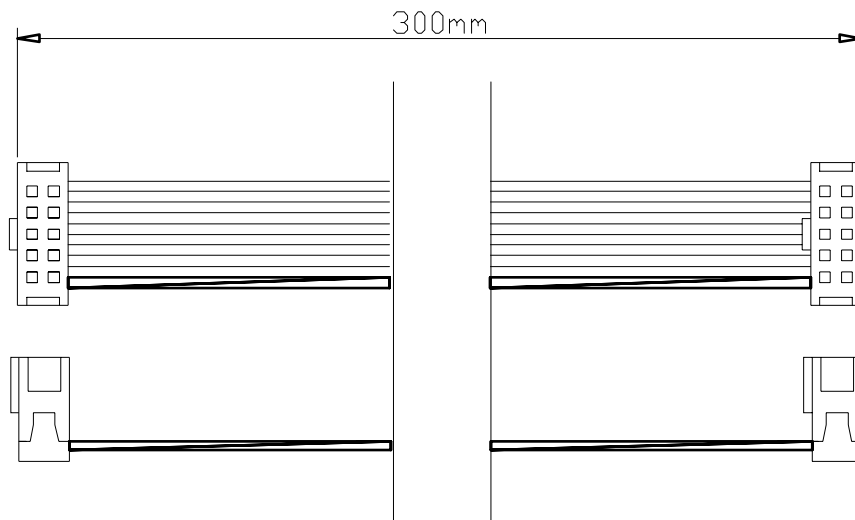
**703000054: CPU Mouse to Multifunction Adaptor**



Connector #	Name	QTY Pins	Format	Pitch (mm)
P1	ACS-9072-00 J6	4	4x1	2.54
P2	CPU J14	4	4x1	2.00

P1 Pin #	Description	P2 Pin #
1	+5V	1
2	MS CLK	2
3	GND	3
4	MS DATA	4

**700000105: CPU to Multifunction adaptor**



Connector #	Name	QTY Pins	Format	Pitch (mm)
P1 & P2	CPU J3 to ACS-9072-00	10	5x2	2.54

P1 Pin #	Description	P2 Pin #
1	Speaker +	1
2	Speaker -	2
3	Ext Reset (Active low)	3
4	NC	4
5	Keyboard Data	5

P1 Pin #	Description	P2 Pin #
6	Keyboard Clock	6
7	Ground	7
8	Keyboard Power (+5V)	8
9	VBAT	9
10	VPP (+12V)	10

**703000070: LCD / TFT**

Connector #	Name	QTY Pins	Format	Pitch (mm)
Cn1	CPU J19	40	20x2	1.25

Cn1 Pin #	Description
1	Ground
2	Reserved
3	Ground
4	Ground
5	VDD
6	NC
7	VDD
8	Ground
9	FP_HSYNC
10	GREEN5 (MSB)
11	Ground
12	GREEN4
13	FP_VSYNC
14	GREEN3
15	VDD
16	GREEN2
17	VDD
18	Ground
19	Data Enable
20	GREEN1

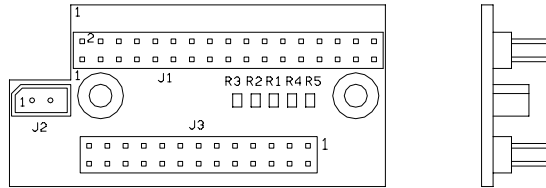
Cn1 Pin #	Description
21	Ground
22	GREEN0 (LSB)
23	RED5 (MSB)
24	BLUE5 (MSB)
25	RED4
26	BLUE4
27	RED3
28	Ground
29	VDD Enable
30	BLUE3
31	Back Light Enable
32	BLUE2
33	RED2
34	BLUE1
35	RED1
36	BLUE0 (LSB)
37	RED0 (LSB)
38	Ground
39	Ground
40	Dot Clock

## ACS-6000-00: Parallel to Floppy drive(s) adaptor set

### Package Contents:

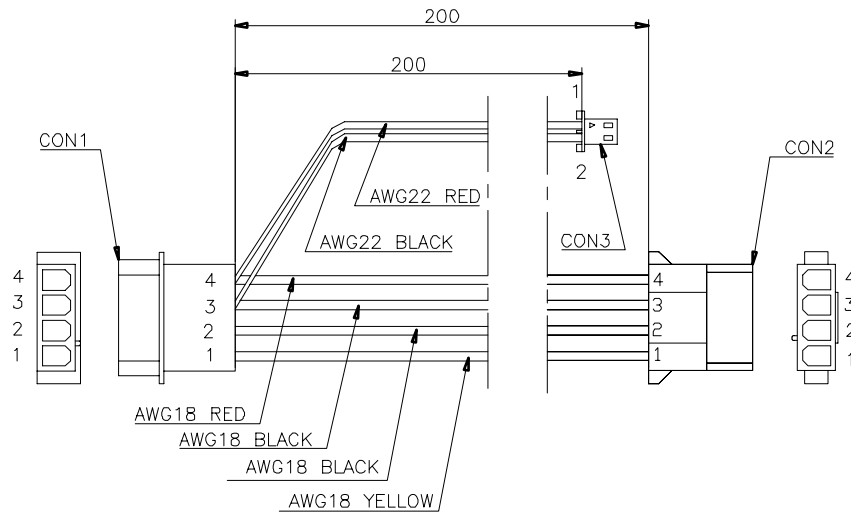
Part Number	Qty	Description
ACS-9071	1	Parallel to Floppy disc adaptor
7030000120	1	Cable form: Power supply to ACS-6000
7000000002	1	Cable form: CPU J16 to ACS-6000
7000000003	1	Cable form: ACS-6000 to Floppy disc 1 and 2

### ACS-6000-00:



Component Label	Description	Pins	Format	Pitch (mm)
J1	To Floppy disc 1 & 2	34	17x2	2.54
J2	Power	2	Male	-
J3	From CPU J16	26	13x2	2.54

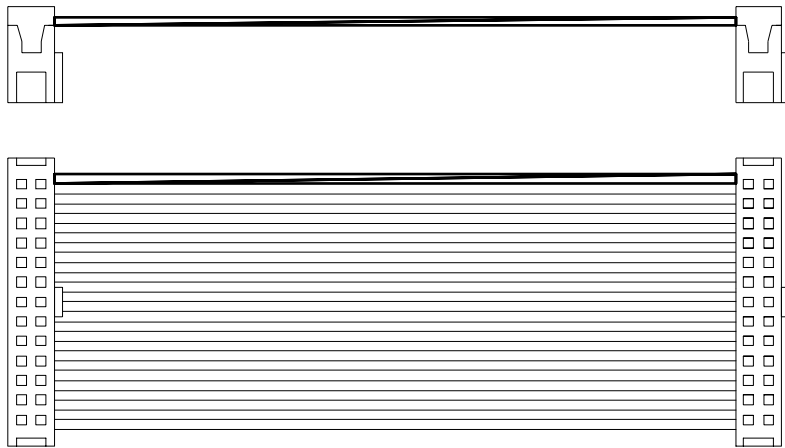
### 7030000120:



Connector #	QTY Pins	Format
CON1	4	Male
CON2	4	Female
CON3	2	Female

P1 Pin #	Description	CON 2	CON 3	P1 Pin #	Description	CON 2	CON 3
1	+12 V (Yellow)	1	NC	18	Ground (Black)	3	2
2	Ground (Black)	2	NC	19	+5V (RED)	4	1

700000002:

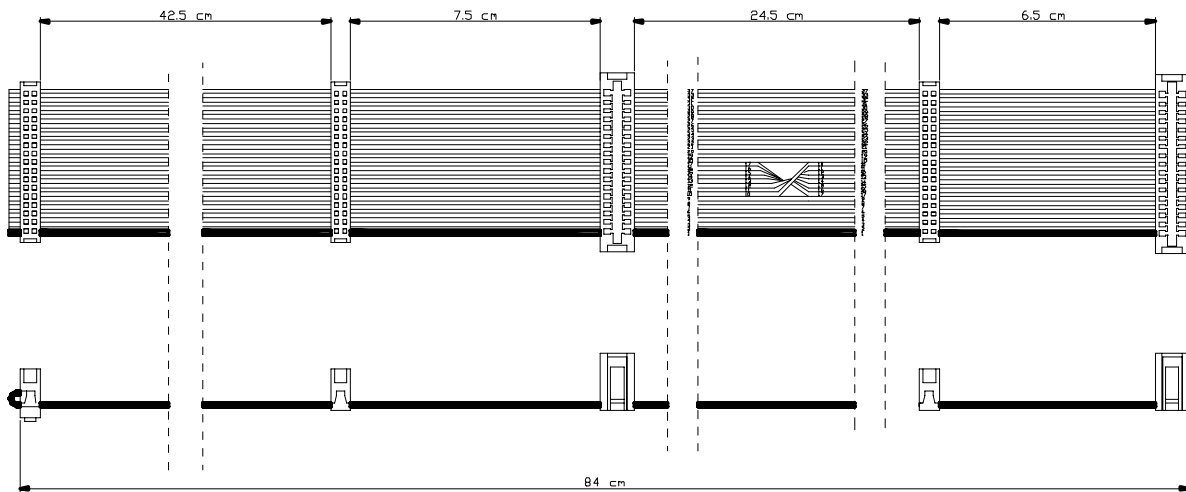


Connector #	Name	QTY Pins	Format	Pitch (mm)
P1	CPU J16	26	13x2	2.54
P2	ACS-6000	26	13x2	2.54

P1 Pin #	Description	P2 Pin #	P1 Pin #	Description	P2 Pin #
1	DSO#	1	14	Ground	14
2	DENSL#	2	15	MTR0#	15
3	INDEX#	3	16	Ground	16
4	HDSEL#	4	17	MEDIA-ID1#	17
5	TRK0#	5	18	Ground	8
6	DIR#	6	19	DS1#	19
7	WP#	7	20	Ground	20
8	STEP#	8	21	MTR1#	21
9	RDATA#	9	22	Ground	22
10	Ground	10	23	WDATA#	23
11	DSKCHG#	11	24	Ground	24
12	Ground	12	25	WGATE#	25
13	MEDIA-ID0#	13	26	---	26

**Note:** “#” Signal active low

700000003:



Connector #	Name	QTY Pins	Format	Pitch (mm)
P1	ACS-6000-00	34	17x2	2.54
P2	Floppy 1	34	17x2	2.54
P3	Floppy 1	34	Card Edge	-
P4	Floppy 2	34	17x2	2.54
P5	Floppy 2	34	Card Edge	-

P1 Pin #	Description	P2 / 3 Pin #	P4 / 5 Pin #
1	Ground	1	1
2	DRVDEN0	2	2
3	Ground	3	3
4	NC	4	4
5	Ground	5	5
6	DRVDEN1	6	6
7	Ground	7	7
8	INDEX	8	8
9	Ground	9	9
10	MOTEN1	10	16
11	Ground	11	15
12	DRVSEL1	12	14
13	Ground	13	13
14	DRVSEL2	14	12
15	Ground	15	11
16	MOTEN2	16	10
17	Ground	17	17

P1 Pin #	Description	P2 / P3 Pin #	P4 / 5 Pin #
18	DIRECTION	18	18
19	Ground	19	19
20	STEP	20	20
21	Ground	21	21
22	WRDATA	22	22
23	Ground	23	23
24	WREN	24	24
25	Ground	25	25
26	TRACK0	26	26
27	Ground	27	27
28	WRPROT	28	28
29	Ground	29	29
30	WDDATA	30	30
31	Ground	31	31
32	HEADSEL	32	32
33	Ground	33	33
34	DSKCHG	34	34

## ACS-9072-00: Multifunction adaptor

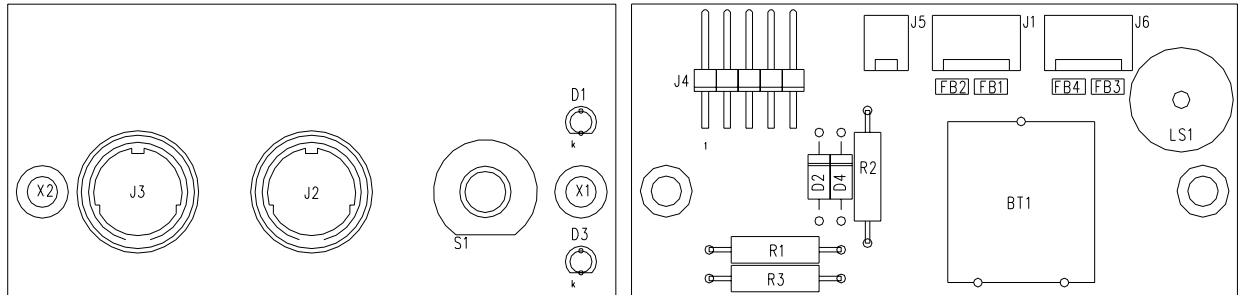


Figure 2 ACS-9072-00 Top / Bottom View

Component Label	Location	Description	Pins	Format	Pitch (mm)
BT1	Bottom	Battery, 3.6V, 60mAh	-	-	-
LS1	Bottom	Speaker,	-	-	-
D1	Top	LED (Green), Power	-	-	-
D3	Top	LED (Yellow), Speaker	-	-	-
S1	Top	Reset Button	-	-	-
J1	Bottom	Extension Keyboard	4	4x1	2.54
J2	Top	Keyboard Input	6	Mini DIN	-
J3	Top	Mouse Input	6	Mini DIN	-
J4	Bottom	Multifunction Output	10	5x2	2.54
J5	Bottom	Not Used with this CPU	2	2x1	2.54
J6	Bottom	Mouse Output	4	4x1	2.54

Connector	Description	Pin #	Signal		
J1	Ext. Keyboard Input	1	VCC		
		2	KB Clock		
		3	Ground		
		4	KB Data		
		J2	Keyboard Input	1	KB Data
				2	NC
J3	Mouse Input	3	Ground		
		4	VCC		
		5	KB Clock		
		6	NC		
		J3	Mouse Input	1	Mouse Data
				2	NC
3	Ground				
4	VCC				
J3	Mouse Input	5	Mouse Clock		
		6	NC		

Connector	Description	Pin #	Signal
J4	Multifunction Output To CPU J3	1	SPKR
		2	NC
		3	RES_PB_IN
		4	NC
		5	KBDAT
		6	KBCLK
		7	GND
		8	+5V
		9	BATT_IN
		10	NC
J6	Mouse output	1	VCC
		2	Mouse Clock
		3	Ground
		4	Mouse Data

### **ACS-9071-05: 1x RJ45 Ethernet 10/100MB adaptor**

**Package Contents:**

<b>Part Number</b>	<b>Qty</b>	<b>Description</b>
<b>ACS-9071</b>	1	RJ45 10/100MB Ethernet adaptor
<b>7000000091</b>	1	Cable, CPU J18 to Adaptor

Refer to Application Note "An0059: ACS-9071 User manual" for further details.

### **ACS-9075-00: 2-Port USB adaptor**

**Package Contents:**

<b>Part Number</b>	<b>Qty</b>	<b>Description</b>
<b>ACS-9075</b>	1	1-Port USB1.0 Adaptor
<b>7030000245</b>	1	Cable, CPU J7 to Adaptor

Refer to Application Note "An0064: ACS-9075 User manual" for further details.

### **ACS-9076-00: AC97 Audio CODEC**

**Package Contents:**

<b>Part Number</b>	<b>Qty</b>	<b>Description</b>
<b>ACS-9076</b>	1	AC97 Audio CODEC
<b>7030000300</b>	1	ACS-9076 to 3 x 3.5mm Stereo Jack Sockets
<b>7000000165</b>	1	Cable, CPU J4 to Adaptor (for use with CPU-1432)
<b>7030000082</b>	1	Cable, CPU J8 to Adaptor (for use with CPU-1232)

Refer to Application Note "An0056: ACS-9076 User manual" for further details.



---

## Related Documents

For further information please refer to the CPU-1232 User manual.

---

## Where to find us

### **Eurotech S.p.A.**

Via J. Linussio 1  
33020 AMARO (UD)  
ITALY

Phone: +39.0433.485.411  
Fax: +39.0433.485.499

Web: [www.eurotech.it](http://www.eurotech.it)  
E-mail: [sales@eurotech.it](mailto:sales@eurotech.it)