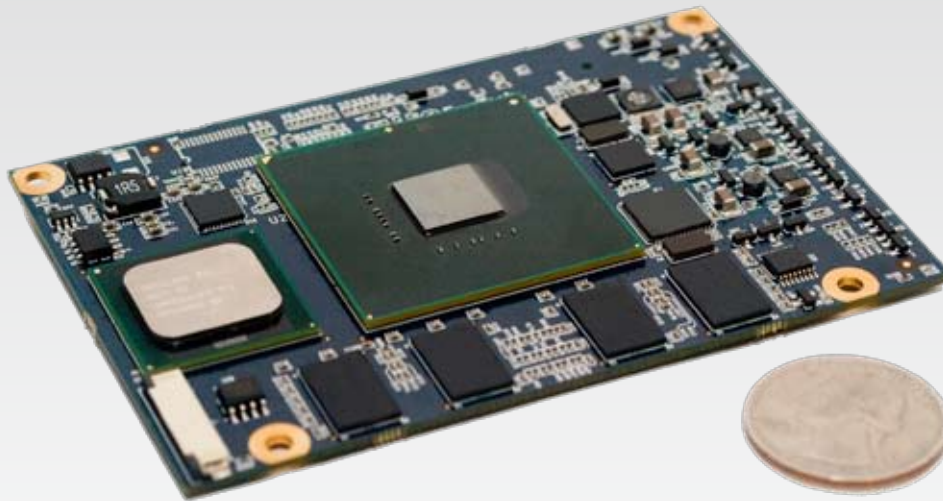


Catalyst Module XL

Intel® Atom™ for Robust Industrial Applications



FEATURES

- Intel® architecture in 67 x 100mm small form factor
- Increased performance and efficiency
- Microsoft® Embedded Standard, CE and Wind River Linux 3.0 support
- Low heat generation for fanless applications
- Flexible modular design for easy customization and quick time to market
- Available in industrial and commercial temperatures



WIND RIVER

Build low power, fanless embedded solutions based on the latest Intel® technology using the Catalyst Module XL. Develop advanced embedded solutions without making trade-offs between performance and power consumption with the Catalyst Module XL from Eurotech, based on the Intel® Atom™ Z5xxP processor and the Intel System Controller Hub US15WP (Intel® SCH US15W). The Intel Atom processor is implemented using 45nm, High-K technology to offer high-end performance while reducing power consumption, and is validated with the Intel SCH US15W chipset which integrates graphics, memory, and I/O into a small package.

The Catalyst Module XL leverages the advantages of this Intel® technology to provide the precise embedded solution for high performance in low power applications. The Catalyst Module XL comes in the 67 x 100mm small form factor and offers comprehensive I/O and multimedia capabilities while consuming less than 5W of power per system. The adapter board gives customers the option to either start with a standard version or design their own to meet unique application requirements while reducing time to market. The Catalyst Module XL offers further flexibility by supporting several operating system options including Microsoft® Windows Embedded Standard, CE, Wind River Linux 3.0, and targeted real time operating systems (RTOS).

Catalyst Module XL

Specifications*

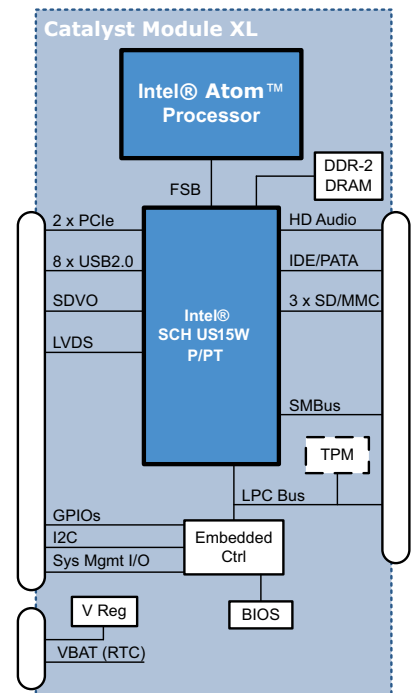
PROCESSOR	Intel® Atom™ Z5xxP/PT processor up to 1.6GHz 533 MHz front side bus Intel® System Controller Hub US15WP/PT (Intel® SCH US15W)
GRAPHICS/VIDEO	Video Interfaces: UXGA, XGA, SXGA, HD Codecs: H.264, MPEG-4/2/1, Windows Media-9, DivX Dual independent display output capability
AUDIO	Intel® High Definition Audio (Intel® HD Audio)
MEMORY	533Mhz DDR-2 up to 2GB Up to Three SD/MMC Cards Up to Two PATA Disk Drives
OPERATING ENVIRONMENTS	Microsoft® Windows Embedded Standard, CE Wind River Linux 3.0 Specific RTOS support (call for details)
MANAGEMENT	Advanced power control System health/environmental monitor ACPI power management
PHYSICAL/OTHER	Module dimensions 2.8 x 3.9 inches (67 x 100 mm) Extended temperature (-40°C to +85°C) or commercial temperature (0°C to +70°C) Power consumption 2W – 3W average per typical application Typical sustained power consumption < 5W Trusted Platform Management (Option)
PERIPHERALS	Onboard Real Time Clock Up to Eight Universal Serial Ports (USB 2.0)
ADAPTER BOARD OPTIONS	Serial Ports (RS-232, RS-485, Optically Isolated) 4 or 5 wire Touch Screen Interface Parallel Port IrDA Interface Digital I/O Analog I/O CanBUS 10/100/1000 LAN PCI-Express for High Speed I/O Mini-PCIe for Wireless Applications Microphone and Speaker Audio

*Specifications and features subject to change without notice.
See our website for latest updates and more information
www.eurotech-inc.com

About Us

Eurotech delivers embedded computer systems for high capability and low power applications, networking and wearable computing solutions, and application framework middleware for multimedia, industrial, transportation, medical, and wireless applications. Eurotech platforms allow OEM and enterprise customers to focus on their core revenue-generating products and services and get to market quickly.

Intel and Intel Atom are trademarks or registered trademarks of Intel Corporation or its subsidiaries in the United States and other countries.



CMM4509C April2010