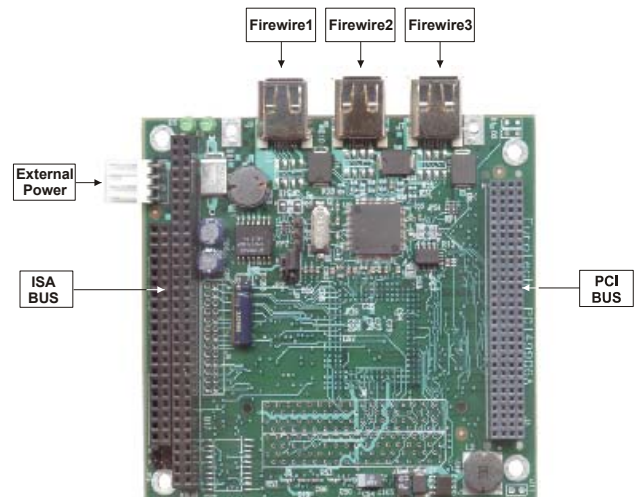


Features

- 3 channels Firewire Module
- PC/104-Plus compliant
- PCI Bus Spec. 2.1/2.2 Compliant
- PC 98/99 Compliant
- OHCI Link Function Designed to IEEE 1394 Open Host Controller Interface (OHCI) Specification
- Implements PCI Burst Transfers and Deep FIFOs to Tolerate Large Host Latency
- Supports Physical Write Posting of up to 3 Outstanding Transactions
- OHCI Link Function is IEEE 1394- 1995 Compliant and Compatible with Proposal 1394a
- Supports Serial Bus Data Rates of 100, 200, and 400 Mbits/second



General Description

The COM-1460 is a PC/104-Plus Firewire module compliant with the IEEE 1394 OHCI standard. The IEEE 1394 is a high speed serial bus that supports data transfer rates up to 400Mbps (100/200/400 Mbps selectable), and delivers more than 30 times the bandwidth of the popular USB peripheral standard. The most relevant characteristics of this standard are flexibility (the Standard supports freeform daisy chaining and branching for peer-to-peer implementations) and fast guaranteed bandwidth. The Standard supports guaranteed delivery of time critical data which allows smaller buffers (lower cost) . The board supports DMA-driven data transfer and PCI burst transfer. Each of the 3 IEEE 1394 ports can be used to connect up to 63 external devices, support "hot plug-and-play" and provide power supply to peripherals through an internal DC/DC converter specifically used to isolate power between the physical layer and the host computer. These characteristics make the COM-1460 an ideal choice for audio and video digital devices as well as hard disk drives and other high-speed peripherals. The COM-1460 is fully compliant with the most recent IEEE 1394A specifications and is fully compatible with Linux, Windows 95/98/2000/XP/CE, VxWorks, QNX and other real-time OS's

Physical Characteristics

Architecture:	PC PCI compatible
Dimensions:	Compliant with the PC/104-Plus standard: 90L x 96W x 15H mm (3.6"x3.8"x0.6")
Bus:	32-bit 33MHz PCI bus master according to the PC/104-Plus spec.
Power Supply:	PCI/ISA Bus Power 5V External Power 8V - 40V
Power Consumption:	450 mA @ 5V
Operating temp.:	0°C/+60°C (Ext. temp. range versions available)
Storage temp.:	-40°C/+85°C
Connectors:	3 Firewire connectors External power connector PC/104 bus connector PC/104-Plus bus connector

Applications

Digital still and video photography
Direct-to-Home (DTH) satellite video
Digital video conferencing
Audio MPEG data streaming
Portable mass data storage devices (HDD, DVD, CD-ROM)
Signal routing
Networking
Multichannel, non-linear digital audio/video (A/V) editing

Options

Extended Operating Temperature Range
Conformal Coating
Custom Connectors

Order Codes

- COM-1460-00: PC/104-Plus module with 3 Firewire channels



Tel. +39 0433 485 411
Fax. +39 0433 485 499

E-mail: sales@eurotech.it
URL: www.eurotech.it

Note. The information in this document is subject to change without notice and should not be construed as a commitment by EuroTech S.p.A. While reasonable precautions have been taken, EuroTech S.p.A. assumes no responsibility for any error that may appear in this document. All trademarks or registered trademarks are the properties of their respective companies.