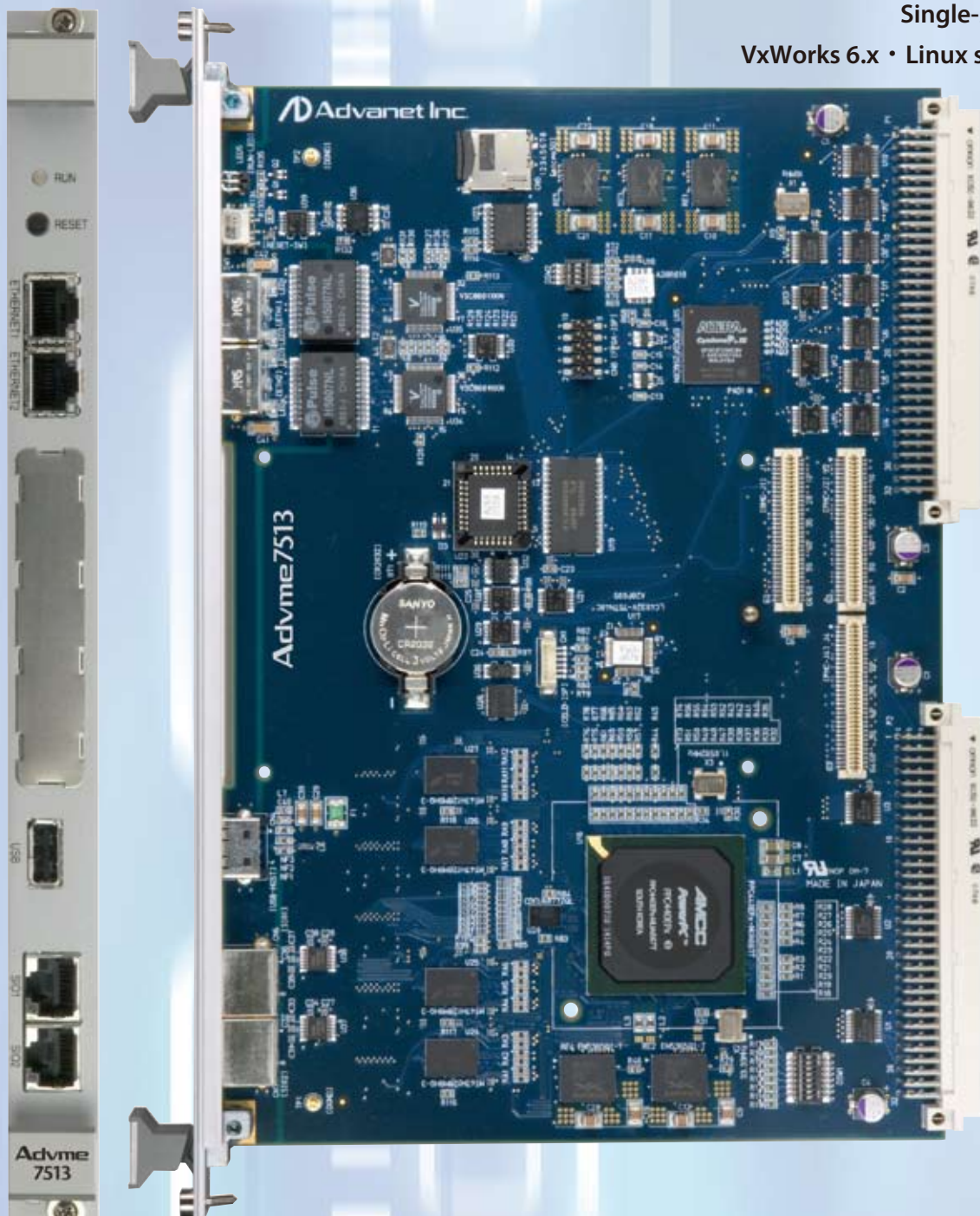


Advme7513

AMCC FPU-integrated G2 PowerPC 440EPx CPU Board

- FPU-integrated CPU PowerPC 440EPx
- On-board ECC-capable DDR2 (512MB/1GB)
- Gbit Ethernet×2ch、RS-232C×2ch
- USB 2.0 host interface, PMC×1 slot
- PCI-VME Bridge [NARUTO]
- Single-slot width
- VxWorks 6.x • Linux supported





Advme7513

AMCC FPU-integrated G2 PowerPC 440EPx CPU Board

Overview

The Advme7513 is an AMCC FPU-integrated G2 PowerPC 440EPx CPU board, and it is equipped with the Gigabit Ether channels (2 chs), USB port (1 ch), and serial ports (2 chs) for I/O interfaces.

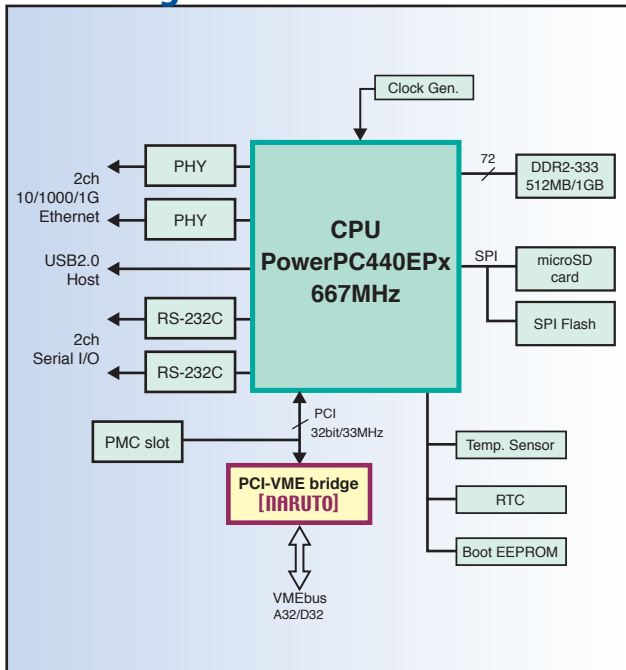
The Advme7513 boasts a variety of available memory including DDR2-SRAM, microSD, FLASH memory, SRAM, and EEPROM. The Advantec PCI-VME bridge [NARUTO] is incorporated into the Advme7513 for the VME interface bus, as an external bus.

The PMC module is also expandable, which allows a single-board computer of wide application.



* microSD memory in the above photo is optional.

Block Diagram



Specifications

CPU	Processor	AMCC PowerPC 440EPx
	Operating Clock	667MHz
	L1 Cache	32kB for Data and 32kB for Instruction
Memory	Main Memory	DDR2-333 on-board 512MB/1GB ECC function support
	Boot ROM	I2C EEPROM 512kbit w/socket
	EEPROM	I2C EEPROM 2kbit
	SRAM	16kB (CPU's build-in memory) 512kB Battery Backup
Front panel I/O	Ethernet	10/100/1000 Ethernet Ports x2 CPU's build-in MAC
	USB	USB2.0 x1
	Serial Port	RS232C Serial Ports x2
On-board I/O	microSD card	microSD card socket x1
	SPI flash memory	64Mbits
	RTC	I2C bus, Battery Backup
	Temp. Monitor	I2C bus
	PMC slot	PCIbus 33MHz/32bit
PCI-VME bridge	Bus Bridge	NARUTO (Advantec Original)
VMEbus	Compliant Spec.	VME bus Rev.C.3
	Compatibility	A32/A16/D32/D16/D08 Master/Slave
Power Supply		DC5V
Form Factor		6U size, Single Width

Please consult us regarding your specific custom requirements

Note: The following specifications and product appearance are subject to change for enhancement without notice.



Headquarters 616-4, Tanaka, Okayama 700-0951 JAPAN TEL +81-86-245-2861 FAX +81-86-245-2860
 Tokyo Branch KDX Kaji-cho 4F, 3-5-2 Kanda Kaji-Cho, Chiyoda-ku, Tokyo 101-0045 JAPAN TEL +81-3-5294-1731 FAX +81-3-5294-1734
 Kobe R&D Center Misaki U 2F, 1-2-1 Misaki-cho, Hyogo-ku, Kobe City, Hyogo Pref. 652-0855 JAPAN TEL +81-78-652-8100 FAX +81-78-652-8177