

Adbc8020

AMD Geode™ LX800 CPU Board

Compact CPU board with a Geode LX800
1x DDR SO-DIMM socket(max 1GB)
On-board Compact Flash available
2x Ethernets



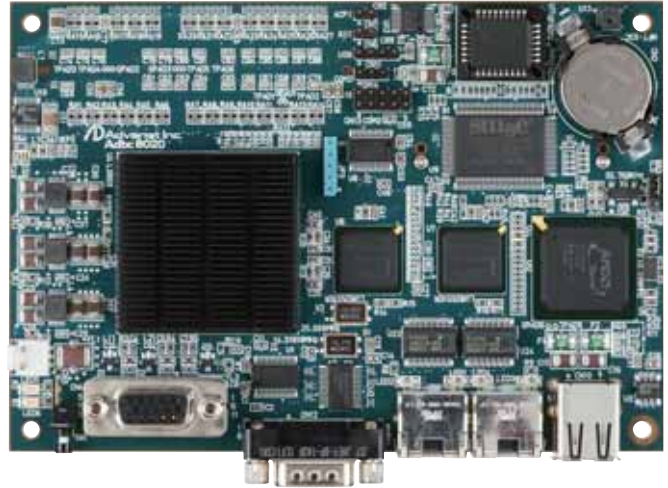
AMD Geode™ LX800 CPU Board

Overview

The Adbc8020 is a Compact CPU board equipped with a Geode LX800 processor. Memory can be expanded to 1GB using SO-DIMM, and it has CompactFlash sockets which enable it to boot various OS. As Ethernet 2ch is installed, the Adbc8020 can be used as a compact network server.



Solder-side: SO-DIMM module and CompactFlash card are optional accessories.



Specifications

CPU

- AMD Geode LX800 processor 500MHz
- L1 cache: 64KB/64KB,
- L2 cache: 128KB Equipped with passive heatsink, fanless
- Built-in functions**
- Memory controller: 200MHz, 64bit DDR I/F (DDR400), without ECC
- Graphic controller: Maximum resolution 1600x1200 dot (@32bit color, 100 Hz)
- PCI Bridge: PCI Rev.2.2 Specification compliance 32bit, 33/66MHz, 3.3V signaling level Supports up to 3 master devices (One of which is used as a companion device)

Memory

- Boot ROM: Mounts BIOS ROM (FLASH Memory) through a 32-pin PLCC socket
- Main Memory: Equipped with a 200-pin DDR SO-DIMM socket Supports PC3200 SO-DIMM (Unbuffered, no ECC) Maximum memory capacity: 1GB

Companion device

- AMD Geode CS5536 Companion device
- Built-in functions**
- PCI Bridge: PCI Rev.2.2 Specification compliance 32bit, 33/66MHz, 3.3V signaling level
- IDE controller: ATA-6 compliance Supports connection of up to 2 devices (connects CF to Primary-Master)
- USB controller: USB 2.0 compliance
- UART: 1ch
- SMB controller
- LPC port: LPC Specification v1.0
- RTC: Battery backup

External Interface

- Ethernet: 10/100Base-TX, 2-port RJ45 connector
- COM port: TIA/EIA-232E Standard, asynchronous, 1-port Dsub9
- USB I/F: USB 2.0 x 2 port, Type A connector
- VGA output: 15-pin Dsub connector

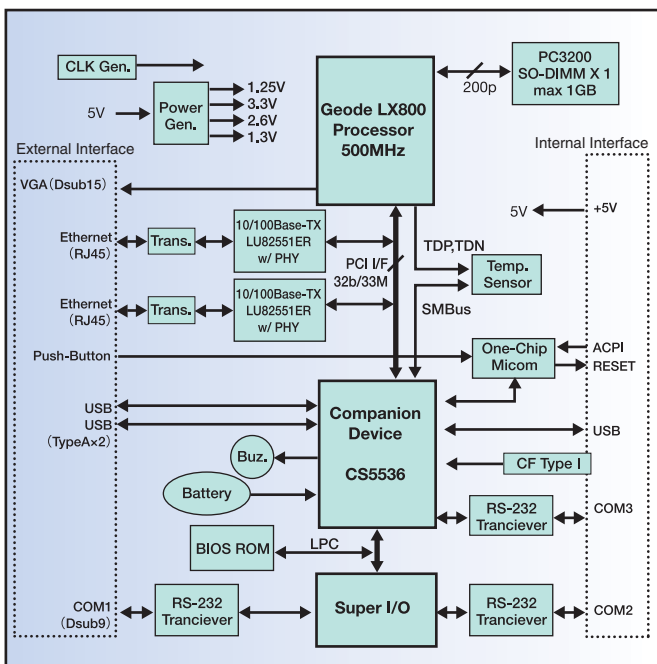
Internal Interface

- COM port: TIA/EIA-232E Standard, asynchronous, equipped with 2-port header connector
- USB I/F: USB 2.0 x 1 port, equipped with on-board header connector
- CF I/F: Type I connector (Can be used as a boot device)

Power Requirements DC+5V ±5%

Board size 100mmx145mm (Excludes prongs of the connector)

Block diagram



Please consult us regarding your specific custom requirements

