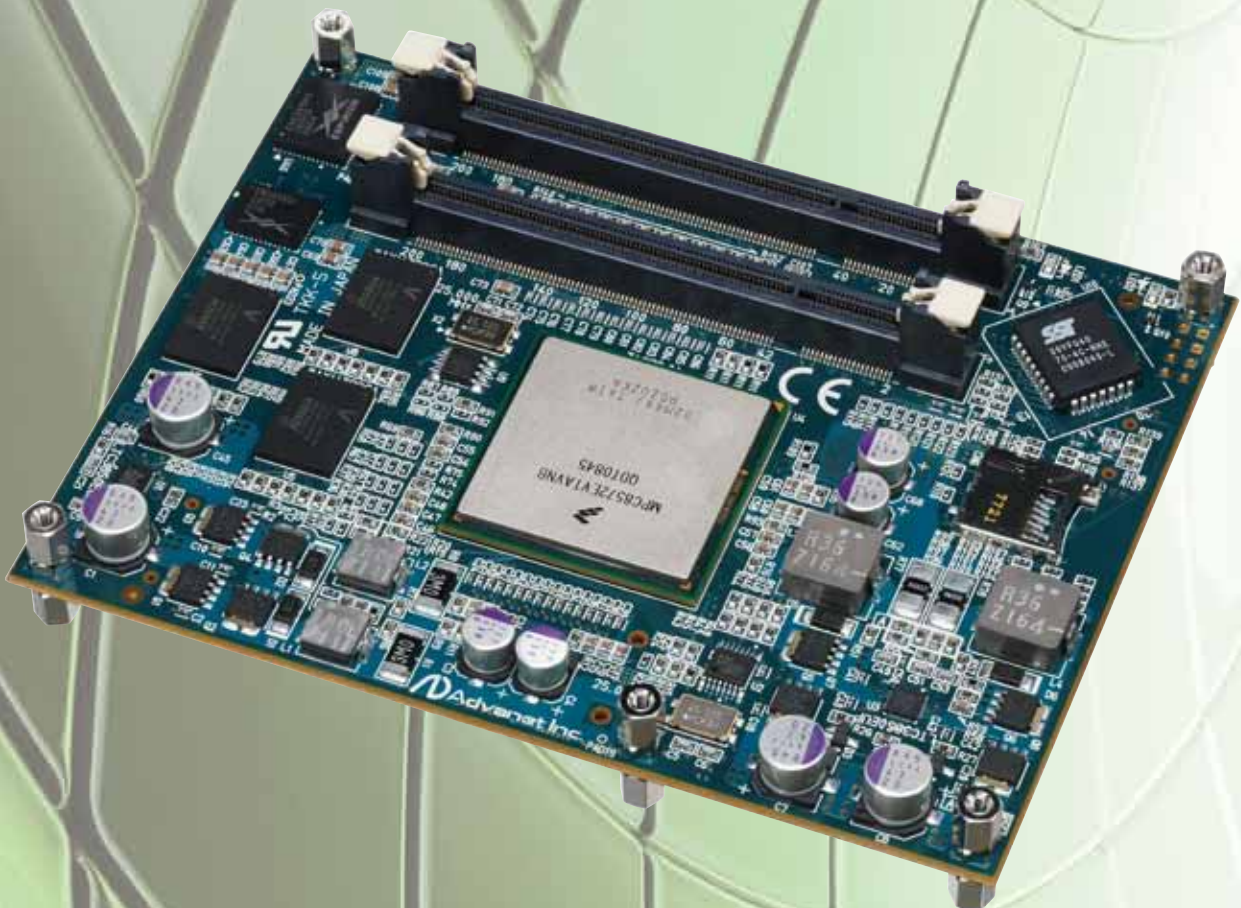


# Adbc7515

## Freescale Dual Core Processor MPC8572 CPU Board

Basic size COM Express specification CPU module  
Freescale Dual Core Processor MPC8572 1.5GHz  
ECC-capable DDR2-667 SO-RDIMM Dual Channel (Max. 4GB)  
Serial RapidIO and PCI Express high-speed interface installed  
10/100/1000 Base-T Ethernet x3ch  
microSD card



## Freescale Dual Core Processor MPC8572 CPU Board

### Overview

The Adbc7515 is a Computer-On-Module (COM) that is equipped with Freescale Dual Core Processor MPC8572. Utilized in concert with a customer needs-matched carrier board, this PICMG COM.0 R1.0-compatible board allows you to freely expand a variety of embedded systems.

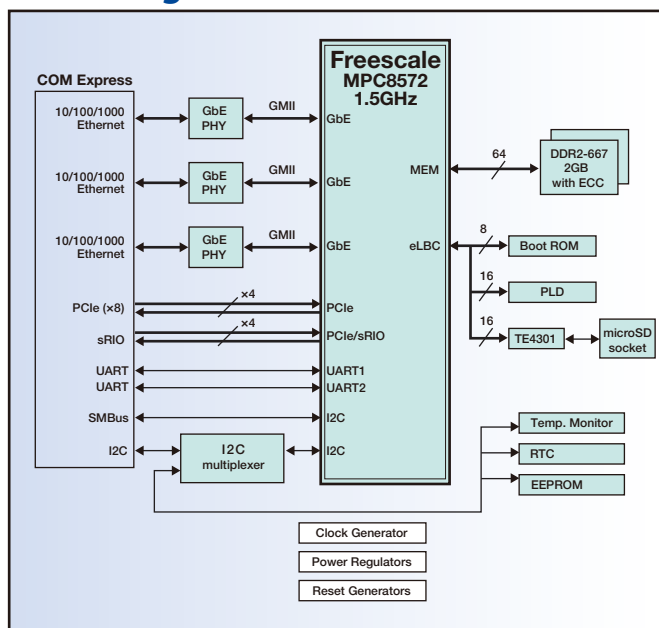
Dual Core Processor MPC8572 is endowed with the ECC-compatible memory controller, gigabit Ethernet controller, PCI Express route function, end-point function, and Serial RapidIO interface.

The Adbc7515 uses a dual channel that allows for DDR2-667-capable SDRAM for main memory, and the main memory is expandable up to 4GB.



\* Memory module is optional.

### Block Diagram



### Specifications

CPU	Processor	Freescale MPC8572 (e500 Dual Core)
	Operating Clock	1.5GHz
	L1 Cache	32kB for Data and 32kB for Instruction
	L2 Cache	1MB for Data/Instruction
Memory	Main Memory	DDR2-667 SO-RDIMM Dual Channel 2GB x2 ECC support
	Boot ROM	512kB FLASH memory
	EEPROM	2kbits I2C EEPROM
	microSD	One socket for microSD
System I/O	Ethernet	10/100/1000 BASE-T x3
	PCI Express	8 lane
	Serial RapidIO	4 lane
	Serial Rapid IO and PCI Express Bus can be configured as follows;	
		SRIO x4 / PCIe x4
		PCIe x8
		PCIe x4 / PCIe x4
		PCIe x4 / PCIe x2 / PCIe x2
	Serial Port	TIA/EIA-232 Asynchronous, 115.2kbps max.
	I2C	x2
COM Express Compliant Spec.		PICMG COM.0 R1.0
		COM Express Module Base Spec Rev1.0
		COM Express Basic Size
Form Factor	Pin out Type	Type5
Power Supply		DC12V / 5V (stand-by)
		Battery Power supply DC3.0V (2.4V to 3.3V)
Consumption current		
Size		125mm x 95mm

Please consult us regarding your specific custom requirements

Note: The following specifications and product appearance are subject to change for enhancement without notice.