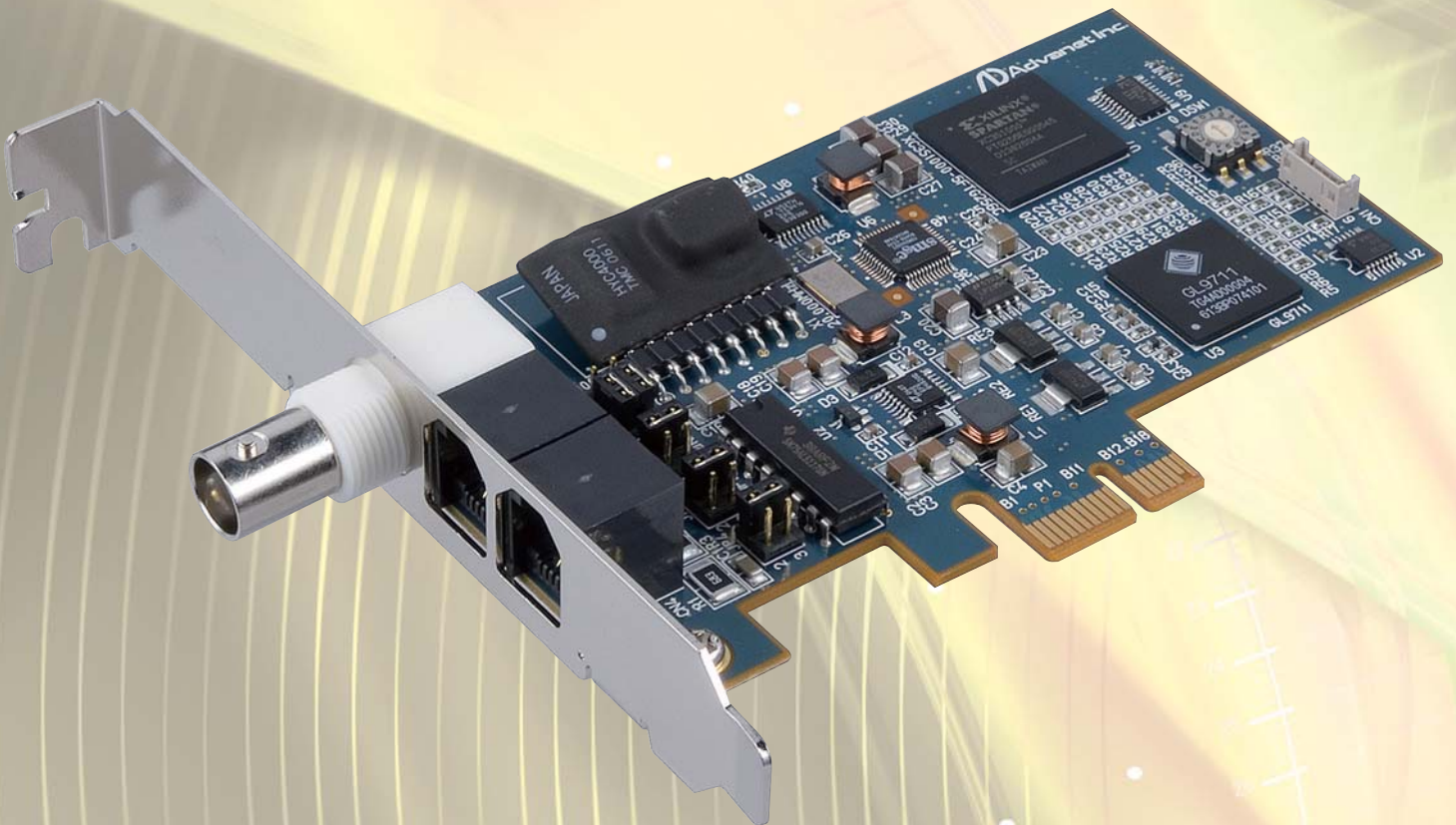


Adexp1560

PCI Express ARCNET Board

- PCI Express-compatible ARCNET board
 - Equipped with SMSC COM20022
- Non-isolated RS485 transceiver as standard equipment
 - Isolated transceivers HYC2000, HYC4000, and HYC5000 also available
- Adaptable to a coaxial cable and twisted-pair cable
- Compatible with low profile requirements



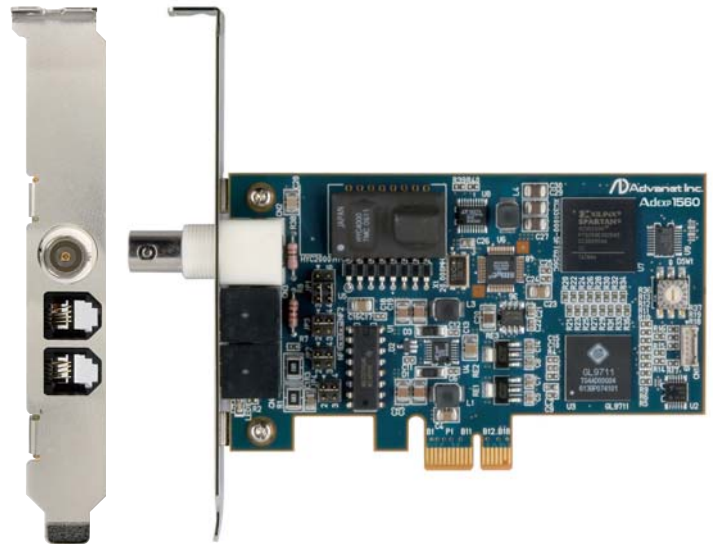
PCI Express ARCNET Board

Overview

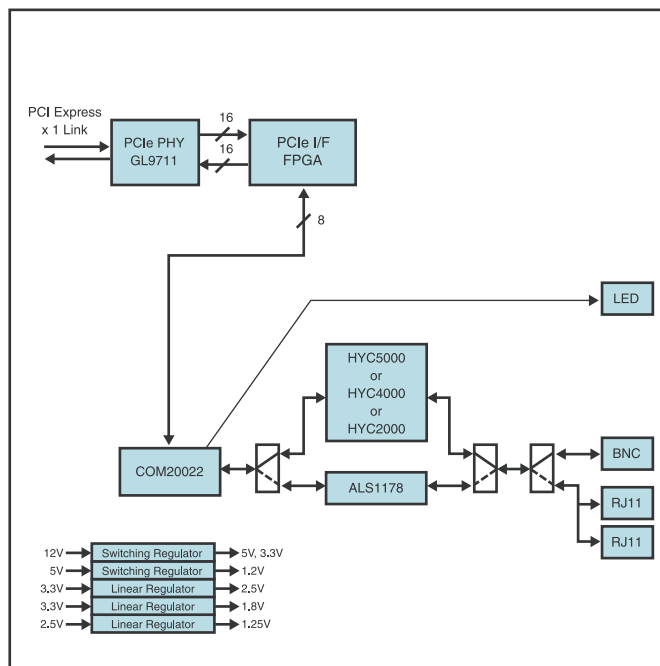
AdExp1560 is a PCI Express ARCNET board featuring SMSC COM20022 ARCNET controller. This board is equipped with an on-board non-isolated RS-485 transceiver. It optionally supports HYC2000, HYC4000 or HYC5000 isolated transceivers as well. Board size compatible with low profile requirements, so it can easily install in a small PC housing.

Features

- PCI Express-compatible ARCNET board
- Equipped with SMSC COM20022
- Non-isolated RS485 transceiver as standard equipment
- Isolated transceivers HYC2000, HYC4000, and HYC5000 also available
- Adaptable to a coaxial cable and twisted-pair cable
- Compatible with low-profile requirements



Block diagram



Specifications

ARCNET interface	Number of channels: 1 Controller: COM20022ITQFP (SMSC) Controller input clock: 20 MHz Transceiver : SN75ALS1178N(TI) or equivalent HYC5000, HYC4000 and HYC2000 (SMSC) can be installed Connector: Two RJ11 connectors/One BNC connector LED: Turns on when COM20022 TXEN# signal is being asserted Installed on the front panel, LED color is green Terminating resistor: Not installed (can be installed by users)
Bus interface	Bus standard: PCI Express Base Specification Revision 1.1 PCI Express Card Electromechanical Specification Revision 1.1 PCI Local Bus Specification Revision 3.0 PCIe node type : Legacy endpoint PCIe lane width : x1 Interrupt: Compatible with INTx emulation and MSI mode
Power supply :	12V±8% (Supplied by PCI Express slot)
Power consumption :	0.5A (max)
Board size:	69mmx110mm, compatible with low profile requirements

Please consult us regarding your specific custom requirements

