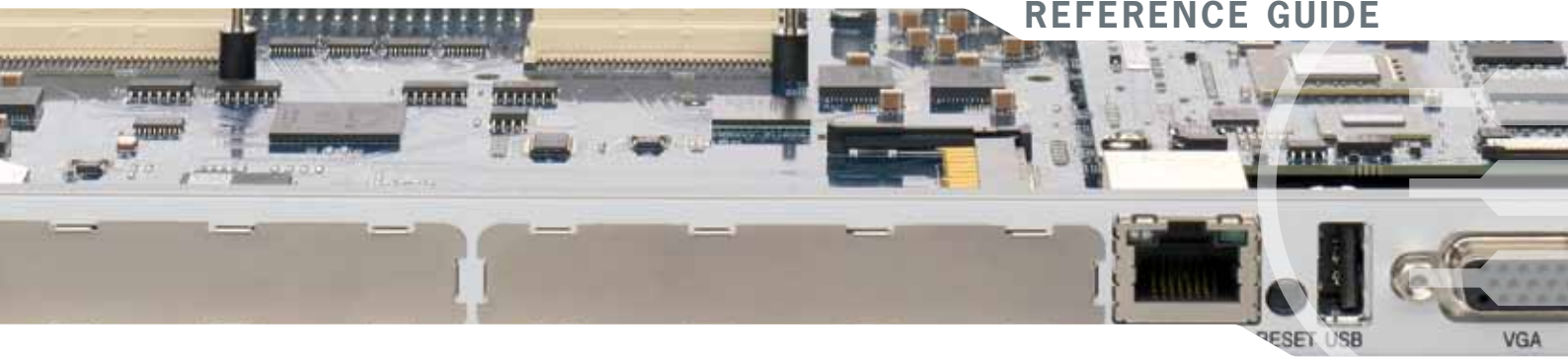


BOARDS & MODULES
REFERENCE GUIDE



AN INTERNATIONAL GROUP AT YOUR SERVICE

Eurotech* is a leading technology Group with a global presence that spans Europe, the USA and Asia.

Our efforts are focused on providing much more than great hardware: we have built an ecosystem of interoperable components, software and services that enable consistent and quick development of end user projects.

We recognize and target the most critical success factors, such as:

- time to market
- ruggedness
- compliance to industry standards and certifications
- reliability and long term availability
- local and global support service

Application specific boards

Eurotech has designed products that are specific for demanding applications such as those found in the Industrial, Transportation, Defense and Medical segments.

Since each application must address specific requirements, Eurotech has developed boards that can be used to build products that withstand the harshest environments: vibrations, temperature range, humidity and dust are not a problem for our board series.

If you are interested in an in-depth discussion about our select boards, call our nearest office or write to missioncritical@eurotech.com

We have dedicated teams with in-depth experience in each market segment, and we can support your design decisions with products that are tailored for your needs and regulations.



Boards: Eurotech advantage

High quality and timely delivery are not enough to be successful in an increasingly competitive market.

Eurotech gives you more:

- **Software**
 - Low level: firmware, OS, BIOS, device drivers
 - High level: libraries, hardware abstraction middleware
- **Quality**
 - Rugged hardware
 - Guaranteed longevity of supply for extended product life
- **Support**
 - Global and local technical support
 - Development kits with extensive features and tools

Customization services

Eurotech's strategy is based on products that comply to industry standards. However some projects require an extra ingredient.

Our personalization and configuration service allows a perfect match of your needs, implementing your unique design.

Examples of services:

- BIOS/Firmware customization
- Software preinstallation
- Hardware options
- Choice of connectors
- Conformal coating
- Special testing/qualification

Please contact our nearest office or send an e-mail to MyBoard@eurotech.com for more information.

Our team will answer your questions and provide you with the full range of personalization options.

BOARD QUICK FINDER

Eurotech board portfolio spans a wide range of industry standards and form factors.

The Board Quick Finder provides a cross reference of the main features of each family of products.

More detailed information about the products and their associated accessories and software can be obtained from www.eurotech.com or by contacting your local office or representative.

Proof of Conformity to market specific regulations and certifications (transportation, defense, etc) **is available upon request.**

PRODUCT FOCUS

Highlights 4-9

BACKPLANE PLUGGABLE BOARDS

VME	- CPU	10
	- Analog I/O	10
	- Communication and Control	10
CompactPCI	- CPU	11
	- Communication	11
	- I/O	11
CompactPCI Express	- Communication	11

MEZZANINE MODULES

PMC	- Memory Expansion	12
	- Digital I/O	12
	- Analog I/O	12
	- Communication and Control	12

STACKABLE MODULES

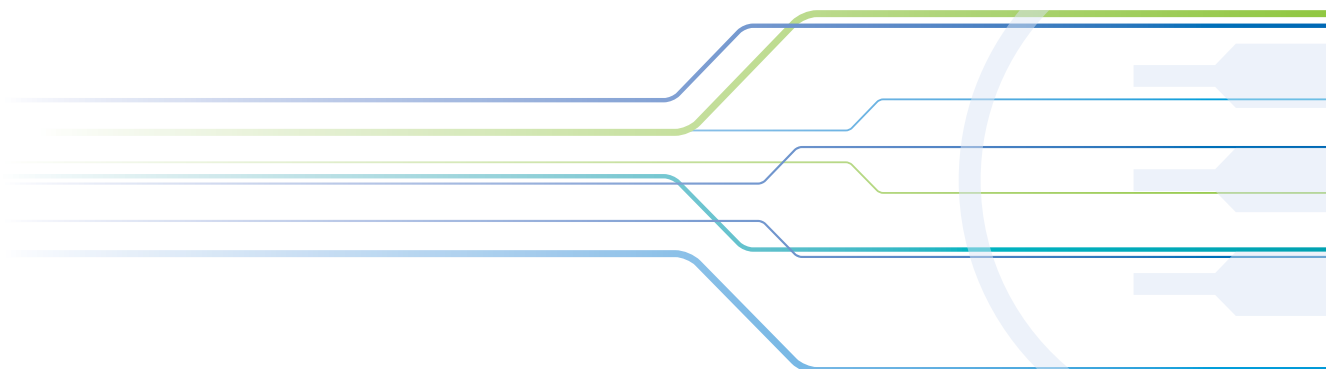
PC/104	- CPU modules	12
	- Peripheral Expansion	13
	- I/O	13
	- Power Supplies	13

SINGLE BOARD COMPUTERS

EBX / EPIC	14
COM Express	14

LOW POWER CPU MODULES

Other form factors	15
SO-DIMM	15



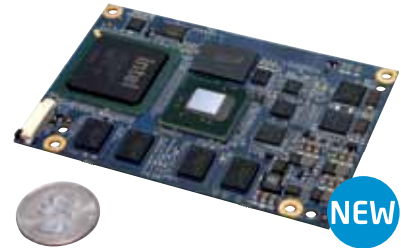
⊞ CATALYST FAMILY

Catalyst LP

Compact, low power dual core module

The versatile engine for any project

- Intel® Atom™: D510/N450
- Low power: 7W/11W (single/dual core)
- Very compact: only 67x100mm
- Up to 2GB DDR2 RAM, up to 32GB on board SSD
- Gigabit Eth, 9x USB, 4x PCIe, 2x video, HD Audio
- OS support: WES, Win CE 6.0, Wind River Linux



Communication	Gaming	Intelligent Platforms	Medical	Real time control	APPLICATIONS
Data visualization	HMI	Kiosks	Multimedia	Security	
Defense	Industrial	M2M	Network appliances	Telemetry	
Digital Signage	Infotainment	Machine Control	POS	Transportation	

Catalyst TC

Feature rich, extended temperature module

Intel® Atom™ E6xx in Small Form Factor

- Intel® Atom™: E6xx up to 1.3GHz
- Up to 2GB DDR2 SDRAM
- Up to 16GB on board Flash
- Very compact: only 67x100mm
- Dual Video, Audio
- Gigabit Eth, 8x USB 2.0, CAN, 2x SD
- 3x PCIe, 2x SATA
- Extended temperature range
- OS support: WES, Windows 7, Win CE, Wind River Linux



Communication	Gaming	Intelligent Platforms	Medical	Real time control	APPLICATIONS
Data visualization	HMI	Kiosks	Multimedia	Security	
Defense	Industrial	M2M	Network appliances	Telemetry	
Digital Signage	Infotainment	Machine Control	POS	Transportation	

ISIS XL

Module with ISA bus and the Atom™ processor

Intel® Atom™ PC/104 Plus Module

- Intel® Atom™ up to 1.6GHz
- PCI and ISA bus
- Low Power (<8W)
- Fanless design
- Atmel Trusted Platform Module Device
- 20-channel GPS receiver
- Extended temperature range option
- OS support: Windows XP, Windows XP Embedded, Wind River Linux



Communication	Gaming	Intelligent Platforms	Medical	Real time control	APPLICATIONS
Data visualization	HMI	Kiosks	Multimedia	Security	
Defense	Industrial	M2M	Network appliances	Telemetry	
Digital Signage	Infotainment	Machine Control	POS	Transportation	

Antares

EBX Core i7 with 4 video out

The ideal HMI/Multimedia board

- High performance Intel® Core i7/Core i5
- Low power consumption with fanless option
- Support for virtualization & remote management
- Dual PCI Express MiniCard expansion with SIM support
- Up to 4 independent video outputs
- OS Support: WES, Win 7, Linux



Communication	Gaming	Intelligent Platforms	Medical	Real time control
Data visualization	HMI	Kiosks	Multimedia	Security
Defense	Industrial	M2M	Network appliances	Telemetry
Digital Signage	Infotainment	Machine Control	POS	Transportation

APPLICATIONS

Aludra

EBX Atom™ with rich I/O

Extensive on-board connectivity

- Perfect for Digital Signage, Kiosks, Control and much more
- CPU: Intel® Atom™ N270
- Multiple video/TV out
- Support for WiFi and 3G expansions
- PC/104 (ISA), PC/104+ (PCI) and PCIe MiniCard
- OS support: Win XPe, Linux



Communication	Gaming	Intelligent Platforms	Medical	Real time control
Data visualization	HMI	Kiosks	Multimedia	Security
Defense	Industrial	M2M	Network appliances	Telemetry
Digital Signage	Infotainment	Machine Control	POS	Transportation

APPLICATIONS

Vector

Low power, Atom™ EPIC SBC

Simplify even the most demanding project

- Intel® Atom™: Z5xxP up to 1.6GHz
- Up to 2GB DDR2 SDRAM
- Dual Video, Audio, S-Video, touchscreen
- Gigabit Eth, 5x USB 2.0, 2x CAN, RS232/485
- 2x analog in, 18 GPIO
- 1x Mini PCIe socket, SATA, SD/CF/ up to 8GB SSD on-board
- Extended temperature range
- Wide input range: 7V to 25V
- OS support: WES, Windows 7, Win CE, Wind River Linux



NEW

Communication	Gaming	Intelligent Platforms	Medical	Real time control
Data visualization	HMI	Kiosks	Multimedia	Security
Defense	Industrial	M2M	Network appliances	Telemetry
Digital Signage	Infotainment	Machine Control	POS	Transportation

APPLICATIONS

☰ COM EXPRESS MODULES - X86 ARCHITECTURE

Adbc8034

With 2nd generation Intel® Core™ processor

Multicore power in a compact platform

- Intel® Core™ i7-2715QE / i5-2515E
- COM Express Basic size
- Connector: Type 2
- Up to 8GB DDR3-1333 SDRAM, ECC capable
- Interfaces: GbE, 8 USB 2.0, 4 SATA, multiple PCIe ports
- OS support: Windows 7, Win XP SP3, WES 7, Wind River Linux
- Carrier board available for fast development



NEW

Communication	Gaming	Intelligent Platforms	Medical	Real time control	APPLICATIONS
Data visualization	HMI	Kiosks	Multimedia	Security	
Defense	Industrial	M2M	Network appliances	Telemetry	
Digital Signage	Infotainment	Machine Control	POS	Transportation	

PROTEUS COM Express

Low-power based on the Intel® Atom™ processor

Cut time to market with Advanced Computing Features

- Intel® Atom™ processor up to 1.6GHz
- COM Express Extended size
- Connector: Type 1
- Up to 1GB DDR2
- Interfaces: GbE, 8 USB 2.0, 2 SATA, multiple PCIe ports, touchscreen
- Other features: 20-channel GPS receiver SirfStar III®, Bluetooth, ZigBee, TPM support
- OS support: Windows XP, Windows XP Embedded, Linux



Communication	Gaming	Intelligent Platforms	Medical	Real time control	APPLICATIONS
Data visualization	HMI	Kiosks	Multimedia	Security	
Defense	Industrial	M2M	Network appliances	Telemetry	
Digital Signage	Infotainment	Machine Control	POS	Transportation	

COM EXPRESS MODULES - QORIQ ARCHITECTURE

Adbc7517

High performance, 8-core P4080 QorIQ

Fast, powerful, connected

- Eight Core Freescale™ P4080 CPU
- COM Express Basic Size
- Up to 4GB dual channel DDR3 with ECC
- High flexibility and upgrade or expansion capabilities
- Ideal for applications which require extensive DSP or numerical data-crunching
- Interfaces: 4 UART channel, 3 PCIe ports, 3 GbE, 4 USB 2.0, multiple PCIe ports
- Other features: Bootable via Flash, SPI, or SD/SDHC
- OS support: VxWorks, Linux



NEW

Communication	Gaming	Intelligent Platforms	Medical	Real time control
Data visualization	HMI	Kiosks	Multimedia	Security
Defense	Industrial	M2M	Network appliances	Telemetry
Digital Signage	Infotainment	Machine Control	POS	Transportation

APPLICATIONS

Adbc7519

Unleashing the dual core P2020 QorIQ

The versatile platform that delivers

- Dual Core Freescale™ P2020 processor
- COM Express Compact Size
- Up to 2GB DDR3 memory with ECC support
- Interfaces: 3 GbE, 4 USB 2.0 and multiple PCIe ports
- Other features: IEEE1588 support, eMMC Flash memory
- OS Support: VxWorks, Linux



NEW

Communication	Gaming	Intelligent Platforms	Medical	Real time control
Data visualization	HMI	Kiosks	Multimedia	Security
Defense	Industrial	M2M	Network appliances	Telemetry
Digital Signage	Infotainment	Machine Control	POS	Transportation

APPLICATIONS

Adbc7520

The dual core P1021 QorIQ in COM Express

Matching high performance with low power

- Dual Core Freescale™ QorIQ P1021
- COM Express Compact Size
- Up to 512MB DDR3 with ECC support
- Interfaces: 3 GbE, 4 USB 2.0 and multiple PCIe ports
- Other features: IEEE1588 support
- OS Support: VxWorks, Linux



NEW

Communication	Gaming	Intelligent Platforms	Medical	Real time control
Data visualization	HMI	Kiosks	Multimedia	Security
Defense	Industrial	M2M	Network appliances	Telemetry
Digital Signage	Infotainment	Machine Control	POS	Transportation

APPLICATIONS

COMPACTPCI BOARDS

A6pci8029

Low power, extended temperature range

- Intel® Atom™, up to 1.6Ghz
- Up to 1GB RAM
- VGA
- 1x Gigabit Ethernet, 4x USB 2.0, 2x serial
- CF+, IDE
- Extended temperature range
- OS support: Win 7, VX Works, Linux

Check out also A3pci8030
3U CPCI with Intel® Atom™

6U Intel® Atom™ CPCI



NEW

Communication	Gaming	Intelligent Platforms	Medical	Real time control	APPLICATIONS
Data visualization	HMI	Kiosks	Multimedia	Security	
Defense	Industrial	M2M	Network appliances	Telemetry	
Digital Signage	Infotainment	Machine Control	POS	Transportation	

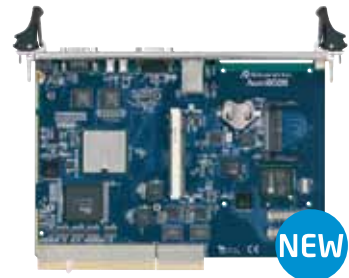
A6pci8026

Performance and low power

- Intel® EP80579, up to 1.2Ghz
- Up to 2GB SO-DIMM RAM, with ECC support
- SXGA
- 3x Gigabit Ethernet, 1x SATA, 2x USB 2.0, 1x serial
- CF+, IDE
- 1x PMC
- OS support: Linux

Check out also A3pci8024
3U CPCI with Intel® EP80579

6U CPCI board with Intel® EP80579



NEW

Communication	Gaming	Intelligent Platforms	Medical	Real time control	APPLICATIONS
Data visualization	HMI	Kiosks	Multimedia	Security	
Defense	Industrial	M2M	Network appliances	Telemetry	
Digital Signage	Infotainment	Machine Control	POS	Transportation	

A6pci7508

Low power, versatile AltiVec platform

- Freescale™ MPC7447A up to 1GHz
- Up to 1GB RAM ECC
- Fanless
- 2x Gigabit Ethernet, 1x serial
- CF socket
- 2x PMC
- OS support: VX Works

Check out also A3pci7512
3U CPCI with Freescale™ MPC7447A

6U CPCI board with Power Architecture



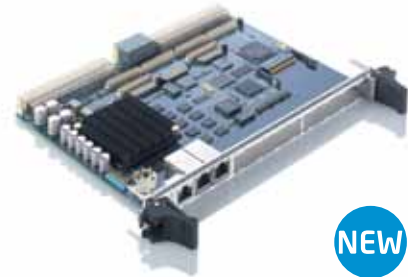
Communication	Gaming	Intelligent Platforms	Medical	Real time control	APPLICATIONS
Data visualization	HMI	Kiosks	Multimedia	Security	
Defense	Industrial	M2M	Network appliances	Telemetry	
Digital Signage	Infotainment	Machine Control	POS	Transportation	

Advme7516

6U VME Dual Core MPC8572E

High reliability and performance

- Freescale™ e500 Dual Core CPU
- Up to 2Gb RAM with ECC
- VME64x with 2ESST
- Tundra Tsi148
- 2x Gigabit Ethernet, 1x Serial Port
- 2x PMC, 1x XMC
- OS support: VxWorks, Linux



NEW

Communication	Gaming	Intelligent Platforms	Medical	Real time control
Data visualization	HMI	Kiosks	Multimedia	Security
Defense	Industrial	M2M	Network appliances	Telemetry
Digital Signage	Infotainment	Machine Control	POS	Transportation

APPLICATIONS

Advme8028

Low power 6U VME Atom™ board

Easy to use, extensible x86 platform

- HMI, Medical, Industrial Control and much more
- Advanced graphics, including 3D
- 2 PMC slots for additional functions
- Extended temperature range option
- OS support: Win7, Win XPe, Linux, VxWorks



NEW

Communication	Gaming	Intelligent Platforms	Medical	Real time control
Data visualization	HMI	Kiosks	Multimedia	Security
Defense	Industrial	M2M	Network appliances	Telemetry
Digital Signage	Infotainment	Machine Control	POS	Transportation

APPLICATIONS

CPU-1440

PC/104+ Module with Vortex86DX processor

Low power processor aimed at PC/104 embedded applications

- Vortex86DX processor at 600MHz
- PCI and ISA bus
- Low Power (<4W)
- Fanless design
- OS Support: DOS 6.22, Windows embedded CE 6.0, Linux 2.6



NEW

Communication	Gaming	Intelligent Platforms	Medical	Real time control
Data visualization	HMI	Kiosks	Multimedia	Security
Defense	Industrial	M2M	Network appliances	Telemetry
Digital Signage	Infotainment	Machine Control	POS	Transportation

APPLICATIONS

VME

CPU



NEW

Advme8028



NEW

Advme7516



Advme7511A



Advme7514



Advme7513



Advme7509A

Processor	Atom up to 1.6GHz	MPC8572E, 1.5GHz	PowerPC MC7448 up to 1.4GHz	PowerPC 750CL 800MHz	AMCC PowerPC 440EPx 667MHz	PowerPC 750FX, 600MHz
Main Memory	Up to 1GB DDR2-SDRAM (DDR2-533)	Up to 2GB DDR2-SDRAM with ECC	DDR2-SDRAM with ECC	Up to 1GB on-board DDR2-SDRAM with ECC	Up to 1GB on board with ECC	Up to 512MB SDRAM, ECC
Boot ROM	FWH-FLASH memory on board	512KB	512KB	512KB	512KB	512KB
Backup SRAM	-	512KB	512KB	512KB	512KB	512KB
CompactFlash	Y	Y	Y	Y	-	Y
EEPROM	2kbit	4kbit	2kbit	256B	2kbit	256B
Ethernet	1x GbE	2x GbE	2x GbE	2x FE	2x GbE	2x FE
Serial	1 (optional)	1x RS232C	1x RS-232	4x RS-232	2x RS-232	4x RS-232
PMC Expansion	2x 32bit/33MHz PCI	2x 32-bit 33/66MHz PCI	2x 64-bit PCI 33/66MHz or PCI-X	1x 64-bit PCI	1x 32-bit 33MHz PCI	1x 64-bit 33/66MHz PCI
System Controller	Intel SCH US15W	-	Tundra Tsi108	Tundra Tsi108	-	GT64260
VME Controller	NARUTO (Advanet original)	Tundra Tsi148	Tundra Tsi148	NARUTO II	NARUTO	NARUTO II
VME Bus Compliance	Rev C.3	VME64x + 2eSST	VME64x + 2eSST	Rev C.3	Rev C.3	Rev C.3
Bus Width	Address: 16/24/32 Data: 08/16/32	Address: 16/24/32/64; Data: 08/16/32	Address: 16/24/32/64; Data 08/16/32/64	Address: 16/24/32; Data 08/16/32	Address: 16/24/32; Data 08/16/32	Address: 16/24/32; Data 08/16/32
Bus Modes	Master/Slave	Master/Slave	Master/Slave	Master/Slave	Master/Slave	Master/Slave
Power Requirements	5V DC ±5% (supplied by VMEbus)	5V DC (DC+12V used in PMC only)	5 V DC ±5%; 20W typ. 30W max	5 V DC ± 5%; 28W typ. 35W max	5 V DC ±5%; 6W typ. 9W max	5 V DC ±5%; 11.5W typ. 17.3W max
Board Size	6U	6U	6U	6U	6U	6U
Board Width	Single slot	Single slot	Single slot	Single slot	Single slot	Single slot
OS Supported	Win 7 Embedded, VxWorks, Linux	VxWorks, Linux	VxWorks	VxWorks	VxWorks	VxWorks

VME

Analog I/O



Advme2607



Advme2701



Advme2702



Advme1608B

Analog Input	64 single ended 32 differential	-	-	16 channels
Analog Output	-	8 channels	16 channels	8 channels
Resolution	12 bit	12 bit	12 bit	12 bit
Input Range	+/-10V, 0 to 10V, 0 to 5V, 1 to 5V	-	-	0 to 10V, +/-10V
Output Range	-	0 to 5V, 0 to 10V, +/-5V, +/-10V o 0 to 20mA	0 to 5V, 0 to 10V, +/-10V	0 to 10V, +/-10V, +/-5V
Output Current	-	0 to 10mA	-	5mA
Conversion Time	30µs per channel	1 ms per channel	10µs per channel	36µs per channel
Input Connector	2x 34-pin flat cable	-	-	34-pin flat cable
Output Connector	-	34-pin flat cable	34-pin flat cable	20-pin flat cable
VME Bus Compliance	Rev C.3	Rev C.1	Rev C.3	Rev C.3
VME Bus Modes	Master/Slave	Master/Slave	Slave	Slave
VME Bus Width	Address: 16; Data: 08/16	Address: 16; Data: 08/16	Address: 16; Data: 08/16	Address: 16; Data: 08/16
Isolation	1500Vac between inputs and system, no channel-to-channel isolation	Transformer coupled I/O to system, 1500Vac isolation voltage	1500Vac between outputs and system, no channel-to-channel isolation	500Vac between outputs and system, no channel-to-channel isolation
Power Requirements	5 V DC ±5%; 2.3W typ. 3.5W max	5 V DC ±5%; 7.5W typ. 11.3W max	5 V DC ±5%; 4.5W typ. 6.8W max	5 V DC ±5%; 3.5W typ. 5.3W max
Board Size	6U	6U	6U	6U
Board Width	Single slot	Single slot	Single slot	Single slot
OS Supported	VxWorks	VxWorks	VxWorks	VxWorks

VME

Communication and Control



Advme1537



Advme1543



NEW

COM-8000

Ports	Isolated DeviceNET interface Isolated CAN interface, RS-232 serial port	GPB controller	18 Port Ethernet Switch, 16x 10/100, 2x GbE
Processor	SH7055F (SH-2)	SH7045F (SH-2)	88E6097 (2x)
RAM	-	2MB	-
VME Bus Compliance	Rev C.3	-	VME64x
VME Bus Modes	Master/Slave	Slave	-
VME Bus Width	Address: 16/24; Data:08/16	Address: 24; Data: 08/16	-
Power Requirements	5 V DC ±5%; 1.8W typ. 2.7W max	5 V DC ±5%; 2.9W typ. 4.4W max	5 V DC; 7W max – 10.5W max w/ 2 GbE
Board Size	6U	262x172x20 mm	6U
Board Width	Single slot	-	Single slot
Ext Temp Range Option	-	-	Y, conduction cooled
OS Supported	VxWorks	VxWorks	No drivers needed

VME SUB-RACK



Eurotech is proud to offer complete bundles that include VME boards, chassis, power supplies and accessories. Our engineers will create the package that perfectly suits your requirements for any VME-based project. Eurotech teams will support you in selecting the right combination of products that matches your specifications and will help you upgrading your legacy application to the latest and most efficient technology. Contact us now to find out how to cut time to market and complexity: vme@eurotech.com

cPCI

CPU



	A3pci8030	A6pci8029	A3pci8024	A6pci8026	A3pci7512	A6pci7508	A6pci7504B
Processor	Intel Atom up to 1.6GHz	Intel Atom up to 1.6GHz	Intel EP80579 1.066GHz	Intel EP80579 1.2GHz	PowerPC G4 MPC7447A 1GHz	PowerPC G4 MPC7447A up to 1GHz	PowerPC G4 MPC7410 500MHz
Main Memory	Up to 1GB	Up to 1GB	Up to 2GB DDR2 SDRAM SO-RDIMM with ECC	Up to 2GB DDR2 SDRAM SO-RDIMM with ECC	Up to 1 GB DDR2, SODIMM	Up to 1GB DDR2 on board with ECC	Up to 512MB SDRAM
Boot ROM	-	-	2MB	2MB	512KB	512KB	512KB
SRAM	-	-	-	-	32KB	512KB	512KB
Serial EEPROM	-	-	2Kbit	2Kbit	2kbit	2kbit	256B
Front Panel I/O	1x GbE, 2x USB2.0, 1x VGA	1x GbE, 2x USB2.0, 1x VGA, 2x COM	1x GbE, 1x USB2.0	1x GbE, 1x TIA/EIA-232E, 2x USB 2.0	2x TIA/EIA-232E, 2x GbE	1x TIA/EIA-232E, 2x GbE	2x RS-232, 2x FE
Onboard Storage	CF	CF	-	CF+ and CF slot	miniSD slot	CF slot	CF slot, type I and type II card
Other Functions	-	-	Watchdog	-	Watchdog	Watchdog, RTC, temperature monitor	RTC, Watchdog timer, DMA controller, 8 timer/counters
PMC Expansion	-	-	PCI 32bit	1x 32-bit PMC slot	-	2x 64-bit PMC slot	PCI 32/64bit
Rear Panel I/O	-	4x USB2.0	2x SATA 1.0a, 4x USB 2.0, 1 PCI Express x4	1x SATA 1.0a, 2x GbE	-	-	-
System Controller	SCH US15W	SCH US15W	-	-	TundraTsi108	TundraTsi108	Marvell GT-64260B
CPCI Bus Compliance	-	-	PICMG 2.0 Rev 3.0	PICMG 2.0 Rev 3.0	PICMG 2.0 Rev 3.0	PICMG 2.0 Rev 3.0	PICMG 2.0 Rev 3.0
CPCI Bus Controller	-	-	-	-	TundraTsi108	PLX PCI6254	Marvell GT-64260B
CPCI Bus Modes	-	-	System/ Peripheral Slot, Universal mode	System/Peripheral slot, Universal mode	System slot	System/Peripheral slot	System/Peripheral slot
CPCI Bus Width	32bit/33MHz	32bit/33MHz	-	32bit/33MHz	32-bit/64-bit; 33 or 66 MHz	64-bit; 33MHz	32-bit/64-bit; 33 or 66 MHz
Power Requirements	DV 5V	DV 5V	5 V DC ±5%; 22.5W typ. 33.8W max	5V DC, Typ./Max TBD	5 V DC ±5/3%; 11.9W typ. 17.9W max; 3.3 V DC ±5/3%; 2.8W typ. 4.2W max	5 V DC ±5%; 16W typ. 24W max; 3.3 V DC ±5%; 5W typ. 7.5W max	5 V DC ±5%; 6.5W typ. 9.8W max; 3.3 V DC ±5%; 6.9W typ. 10.4W max
Board Size	3U	6U	3U	6U	3U	6U	6U
Board Width	Single slot	Single slot	Single slot	Single slot	Single slot	Single slot	Single slot
OS Supported	Windows XPe, VxWorks, Linux	Windows XPe, VxWorks, Linux	Win XPe, Linux	Win XPe, Linux	VxWorks	VxWorks	VxWorks

cPCI

Communication



	A3pci1534	A3pci1554
Front Panel I/O	CAN / DeviceNet	2x StarFabric port
CPCI Bus Compliance	PICMG 2.0 Rev 3.0	PCI Local Bus Specs. Rev.2.2
CPCI Bus Modes	Master /Slave	-
CPCI Bus Width	32-bit	32-bit / 64-bit
Power Requirements	5 V DC ±5%; 2.3W typ. 3.5W max	3.3V DC ±5%
Board Size	3U	3U
Board Width	Single slot	Single slot
OS Supported	Win NT4.0, VxWorks	-

cPCI

I/O



	A6pci1557
No. of channels	4
Communication system	Asynchronous
Signal level	TIA/EIA-232E standard-compliant
UART	Two National Semiconductor PC16552
Baud rate	Up to 115.2kbps (RL=3~7kohm, CL=50~1000pF)
Connector	4x D-Sub 9-pin male connector
Control line	DCD, DSR, CTS, DTR, RTS, RI
Bus	PCI Local Bus Specs. Rev.2.2
Power Requirements	5V DC ±5% (supplied by rack)
Board Size	6U
Board Width	Single slot
OS Supported	VxWorks, Win 2000, Win XP

ADRC-EXP1

The AdRC-EXP1 is a sub rack that allows a cPCI Express-compatible CPU & peripheral boards and cPCI-compatible peripheral boards to co-reside and be used in combination. The AdRC-EXP1 is designed to store up to three cPCI Express-compatible peripheral boards (Type2) and up to six cPCI-compatible peripheral boards. The A3EXP1565-6U board must be used as a bridge in mixed cPCI and cPCI Express configuration. For more information about our compactPCI or compactPCI Express offering please contact us at cpcci@eurotech.com



cPCI EXPRESS

Communication



	A3EXP1563
Physical Interface	2x GbE
CPCIE Bus Compliance	PICMG EXP.0 R1.0
CPCIE Slot	Type 1 and 2, Hybrid slot
CPCIE Bus Width	x1 or x4
Power Requirements	5 V DC ±5%; 3.8W typ. 5.7W max
Board Size	3U
Board Width	Single slot
OS Supported	Win NT, 2000, XP

PMC

Memory Expansion



Adpmc1109



Adpmc1110

Power Requirements	5 V DC ±5%; 0.5W typ. 0.8W max	3.3 V DC ±5%; 0.5W typ. 0.8W max
VxWorks	-	-

PMC

Digital I/O



Adpmc2704



Adpmc1425

Power Requirements	12 V DC ±5%; 0.4W typ. 0.6W max; 5 V DC ±5%; 0.2W typ. 0.3W max; 12 V DC ±5%; 0.4W typ. 0.6W max	3.3 V DC ±5%; 0.5W typ. 0.8W max
VxWorks	Y	Y

PMC

Communication and Control



Adpmc1548



Adpmc1556



Adpmc1555

Power Requirements	5 V DC ±5%; 0.9W typ. 1.4W max	5 V DC ±5%; 0.5W typ. 0.8W max; 3.3 V DC ±5%; 4W typ. 6W max	3.3 V DC ±5%; 1W typ. 1.5W max
VxWorks	Y	Y	-

PMC

Analog I/O



Adpmc2609

Power Requirements	12 V DC ±5%; 0.1W typ. 0.2W max; 5 V DC ±5%; 0.2W typ. 0.3W max; 12 V DC ±5%; 0.1W typ. 0.2W max
VxWorks	-

PC/104

CPU



ISIS



CPU-1484



CPU-1482



CPU-1474



CPU-1440

NEW

Processor	Atom up to 1.6GHz 512KB L2 cache	Pentium M 1,4GHz, 2MB L2 cache	Pentium M 1,4GHz, 2MB L2 cache	Celeron M 1GHz, 512KB L2 cache	Vortex86DX 600MHz, 2x16KB L1 cache, 256KB L2 cache
Expansion	PC/104, PC/104+, PCI Express Mini Card Socket, SDIO, I2C/SMBus 2x PCIe	PC104/PC104+	PC104/PC104+	PC104/PC104+	PC/104-Plus (32-bit PCI) , PC/104 (16-bit ISA)
Memory	Up to 1 GB SDRAM	512MB On board	512MB On board	512MB On board	DDR2 SDRAM 128 or 512MB (300MHz)
Video Interface	VGA, LVDS	VGA, LVDS	VGA, LVDS	VGA, LVDS	VGA, TFT, LVDS
Ide	ATA 100	ATA 100	ATA 100	ATA 100	ATA
RS232	1	1	1	1	1 + 3 TTL
RS232/422/485	1	1	1	1	-
Ethernet	1x FE	1x FE + 1x GbE	1x FE	1x FE + 1x GbE	1x FE
USB	8x 2.0	4x 2.0	8x 2.0	4x 2.0	4x 2.0
Disk on module support	2 GB on board Flash	-	-	-	-
Ext Temp Range Option	Y	Y	Y	Y	Y
Power Requirements	5 V DC ±5%; 7-7.5 W typ.	5 V DC; 14.5W typ. 18.5 max	5 V DC; 14.5W typ. 18.5 max	5 V DC; 9.5W typ. 13.5 max	5V DC; 3W typ.
OS supported	Win XP, XPe, Wind River Linux	Win CE 5.0, XPe, Linux	Win CE 5.0, XPe, Linux	Win CE 5.0, XPe, Linux	DOS 6.22, Windows embedded CE 6.0, Linux 2.6
Special Features	EDC ready with Eurotech MQTT libraries	EDC ready with Eurotech MQTT libraries	EDC ready with Eurotech MQTT libraries	EDC ready with Eurotech MQTT libraries	-



CPU-1472



CPU-1454



CPU-1452



CPU-1421



TITAN

Processor	Celeron M 1GHz, 512KB L2 cache	Celeron ULV 400MHz, 256KB L2 cache	Celeron ULV 400MHz, 256KB L2 cache	Elan SC520 133MHz	XScale PXA270 520MHz
Expansion	PC104/PC104+	PC104/PC104+	PC104/PC104+	PC104/PC104+	PC104
Memory	512MB On board	256MB On board	256MB On board	64MB On board	Up to 128MB On board
Video Interface	VGA, LVDS	VGA, LVDS	VGA, LVDS	-	TFT/STN, LVDS
Ide	ATA 100	UltraATA	UltraATA	Y	-
RS232	1	1	1	2	4
RS422/485	-	-	-	-	1
RS232/422/485	1	1	1	2	0
Ethernet	1x FE	1x FE + 1x GbE	1x FE	2x FE	1x FE
USB	8x 2.0	4x 1.1	4x 1.1 + 4x 2.0	-	2x 1.1
Disk on module support	-	Y	Y	Y	-
Ext Temp Range Option	Y	Y	Y	Y	Y
Power Requirements	5 V DC; 9.5W typ. 13.5 max	5 V DC ±5%; 8W typ.	5 V DC ±5%; 8W typ.	5 V DC ±5%; 4.6W typ.	5 V DC ±5%; 1.5W typ. 4.2W max
OS supported	Win CE 5.0, XPe, Linux	Win CE 5.0, XPe, Linux	Win CE 5.0, XPe, Linux	Win CE 5.0, Linux	Win CE 5.0, Linux
Special Features	EDC ready with Eurotech MQTT libraries	EDC ready with Eurotech MQTT libraries	EDC ready with Eurotech MQTT libraries	EDC ready with Eurotech MQTT libraries	EDC ready with Eurotech MQTT libraries

PC/104

Peripheral Expansion

						 NEW		
CTR-1474	CTR-1475	INT-1462	INT-1410	CTR-1462	COM-1268	PRV-1059	COM-1240	
Type	JPEG 2000 compressing video capture	MPEG-4 compressing video capture	Video capture	Audio switch matrix	Removable expansion	10 Port Ethernet Switch, Lightly Managed (contact us)	5 port 10/100 Ethernet Switch	MVB communication
Form Factor	PC104+	PC104+	PC104+	PC104+	PC104+	PC104+	PC104	PC104
Ext Temp Range Option	Y	Y	Y	Y	Y	Y	Y	Y
Power Requirements	5 V DC \pm 5%; 2W typ. 3W max	5 V DC \pm 5%; 7W typ. 10W max	5 V DC \pm 5%; 1.25W (typical)	5 V DC \pm 5%; 5W max	5 V DC \pm 5%; 70 mA typ w/o any card	5V DC, 18W typ	5 V DC; 1.5W typ.	5 V DC \pm 5%; 3.5W
OS supported	Win CE 5.0, Linux	Win CE 5.0, XPe, Linux	Linux	Win CE 5.0, Linux	Win CE 5.0, XPe, Linux	-	No drivers needed	Win CE 5.0, Linux
								
COM-1274	AIM104-COM4	AIM104-SER4	AIM104-COM8	COM-1289	COM1250/1251	COM-1480	COM-1452	
Type	Asynchronous serial communication	Asynchronous serial communication	Synchronous serial communication	Asynchronous serial communication	Wireless communication and GPS positioning	MIL-STD-1553 bus communication (contact us)	Wireless 3G communication and GPS positioning	Multi-port Ethernet communication
Form Factor	PC104	PC104 (8-bit)	PC104 (8-bit)	PC104 (8-bit)	PC104	PC104	PC104+	PC104+
Software	-	C Library	C Library	C Library	-	-	-	-
Ext Temp Range Option	Y	-	-	-	Y	Y	Y	Y
Power Requirements	5 V DC \pm 5%; 100mA typical	5 V DC \pm 5%; 1.1W typ.	+5 V DC, +12 V DC, -12 V DC \pm 5%; 2.55W max	5 V DC \pm 5%; 1.1W typ.	5 V DC \pm 5%; 1.1W idle, 3.2W max	-	5 V DC; 3W typ. 4.5W max	5 V DC \pm 5%; 3W typ. 4.5W max
OS supported	Win CE 5.0, XPe, Linux	Win CE 5.0, XPe, Linux	-	Win XPe, Linux	Win CE 5.0, XPe, Linux	Win XPe, Linux	Win CE 5.0, XPe, Linux	Win CE 5.0, XPe, Linux
Other OS	-	-	-	-	-	Win CE.net	-	-






PC/104

I/O

				
DAQ-1278	AIM104-IN16	AIM104-IO32	AIM104-RELAY8/IN8	
Type	Isolated digital I/O	Isolated digital input	General purpose digital I/O	Relay/Digital Power Input
Form Factor	PC104	PC104	PC104	PC104
Ext Temp Range Option	Y	-	Y	-
Power Requirements	5 V DC \pm 5%; 1.8W typ.	5 V DC \pm 5%; 0.5W max	5 V DC \pm 5%; 1.25W max	5 V DC \pm 5%; 1.25W typ.
OS supported	Win XPe, Linux	Win CE, XPe, Linux	Win CE, XPe, Linux	Win CE, XPe, Linux
				
AIM104-OUT16	AIM104-ADC16/IN8	AIM104-MULTI-IO		
Type	Digital power output	Isolated analog and digital I/O	Isolated analog and digital I/O	
Form Factor	PC104	PC104	PC104	
Software	-	C Library	C Library	
Power Requirements	5 V DC \pm 5%; 0.625W max	5 V DC \pm 5%; 2.05W max	5 V DC \pm 5%; 2.4W max	
OS supported	Win CE, XPe, Linux	Win CE, XPe, Linux	Win CE, XPe, Linux	

PC/104

Power Supplies

	 NEW				
ACS-5180	ACS-5125	ACS-5151	ACS-5161	ACS-5175	
Form Factor	PC/104+	PC104+	PC104	PC104	PC104
Power Output	40W or 80W	25W	50W	60W (100W peak)	75W
Input Range	18-33 V DC; Nominal 28 V DC	15.5-40 V DC	8-40 V DC	18-36 V DC	9-45 V DC or 16-80 V DC
Output	+3.3V, +5V, +12V DC	+5V	+5V, +3.3V, +12V	+5V, +12V	+5V, +12V
Heat Dissipation Scheme	Passive convection cooling	Structural, conduction cooling	Passive convection cooling	Structural, conduction cooling	Structural, conduction cooling
Ext Temp Range Option	Y	Y	Y	Y	Y



ANTARES



GEMINI



ALUDRA



Catalyst EC XL



Vector



ZEUS

Processor	Intel Core i7 up to 2.53GHz Intel Celeron 1.86GHz	Core 2 Duo / Core Duo / Core Solo / Celeron M 4xx @ 533/667MHz	Intel® Atom™ N270 1.6GHz	Atom up to 1.3GHz	Intel Atom Z5xxP up to 1.6GHz	PXA270 M 520MHz
Form Factor	5.25" - 146mm x 203mm	5.25"	5.25" 203 mm x 146 mm	EPIC, 4.5x6.5 inch, 115 mm x 165 mm	EPIC	EPIC
Expansion	1 PCI Express x4, 2 PCI Express mini card socket, SIM support	1 PCI slot + 1 mini-PCI slot	One PC/104-Plus expansion slot (ISA + PCI bus) Two PCIe mini card One PCI slot	mini-PCIe wireless slot (for 802.11, Bluetooth, and GPS)	1x MiniPCIe	PC104
Memory	Up to 8GB DDR3 DIMM, ECC support	Up to 3GB	Up to 2GB DDR2 SDRAM SO-DIMM	Up to 1GB	Up to 2GB DDR2 SDRAM SO-DIMM	Up to 256MB on board
Video Interfaces	LVDS, CRT, 2x HDMI 1.3 Type A Up to 2 simultaneous displays	Analog VGA, DVI, LVDS and SD/HDTV output	Analog CRT, 18-bit dual- channel LVDS	2x independent display outputs LVDS Video and Analog RGB	Dual display support with VGA and LVDS interface with 18-bit or 24-bit; 4/5/8-wire touchscreen	TFT, STN or LVDS flat panel
Ethernet	2x GbE	4x GbE	2x GbE	2x GbE	1x GbE	2x FE
RS232	3	2	3	2	1 (Optional)	2
RS422/485	-	-	-	-	-	1
RS232/422/485	1	1	1	2	1	1
USB	4x USB Type A front panel connectors 4x USB on pin he- aders 2x USB to PCI Express Mini card sockets	6x 2.0	6x 2.0	4x USB 2.0	5x 2.0	2x 1.1
IDE	-	UDMA33	Y	PATA	-	-
Solid State Memory	SD/MMC	-	CF Type II	SD/MMC	Optional SSD	SD/SDIO/MMC
SATA	4	2	2	-	Y (Optional)	-
PC	-	-	-	-	-	Y
CF	-	Y	-	-	Y	Y
FDD	-	Y	-	-	-	-
Keyboard & Mouse	-	Y	Y - One 6-pin header for keyboard and mouse	Y (PS/2)	-	-
RTC	Y	Y	-	Y	Y	Y
Audio Controller	HD Audio Codec	AC97 CODEC	AC'97 codec	-	Intel® High Definition Audio	AC97 CODEC
GPIO	16	8	-	16	-	-
Accessories	-	-	-	Intel HD Audio	-	Ports for Cellular/Wireless modem, GPS port or IEEE802.15.4/ZigBee
Ext Temp Range Option	-20°C to +60°C	0°C – 60°C	0°C – 60°C	Y	Y	Y
Power Requirements	ATX	8 to 24 V DC; 60W max	5V @ 2.89A, 12V@0.04A	8Vdc to +16Vdc 7W typ. 11W max (including Catalyst Module XL)	7 to 30 VDC	5 V DC ±5%; 2W typ
OS Supported	Win Embedded Standard, Windows 7 & Fedora Linux	Linux, Win XPe	Windows XP Embedded, Fedora Linux	Linux, Win XP, XPe, CE, Embedded Standard	Win CE, ES, Win River Linux	Linux, Win CE 6.0
Special Features	-	-	-	ESF ready, EDC ready Wind River On Board	ESF ready, EDC ready Wind River On Board	EDC ready with Eurotech MQTT libraries

COM EXPRESS



Adbc8034



Adbc8031



Adbc7517



Adbc7519



Adbc7520



PROTEUS COM
Express



Adbc7515



Adbc8025

Processor	Intel® Core™ i7-2715QE @2.1GHz Intel® Core™ i5-2515E @2.5GHz	Intel® Core™ i7 up to 2.53GHz. Intel® Core™ i5 2.4GHz	Freescale™ P4080 8-core CPU @1.2 or 1.5GHz	Freescale™ P2020 2-core @1.2GHz	Freescale™ P1021 2-core @800MHz	Intel Atom up to 1.6GHz	Freescale™ Dual Core MPC8572 1.5GHz	Intel EP80579 1.066GHz
Form Factor	COM Express Basic Size Pin-out Type 2	COM Express Basic Size Pin-out Type 2	Com Express Basic Size	COM Express Compact Size	COM Express Compact Size	COM Express Basic Size, Pin-out Type 1	COM Express Basic size, Pin-out Type 5	COM Express Basic Size, Pin-out Type 3
Memory	Up to 8GB DDR3- 1333 SDRAM, ECC capable	DDR3-800 SDRAM 1GB to 4GB(optional) ECC support	Up to 4GB DDR3-1333 SO-DIMM with ECC (72bit); Dual channel	Up to 2GB DDR3-800 SO-DIMM with ECC (72bit)	Up to 1GB DDR3 SO- DIMM, ECC capable	Up to 1GB DDR2 SDRAM	Up to 4GB DDR2 SO- RDIMM with ECC	Up to 2GB DDR2 SO- RDIMM with ECC
Flash Memory	-	SPI 8MB (bootable)	NOR 128MB (bootable); NAND 1GB (bootable)	eMMC 2GB (bootable)	eMMC 2GB (bootable)	ATA 4GB Optional	512KB (bootable)	SPI 2MB (bootable)
Boot ROM	SPI-FLASH, 8MB	-	-	512KB	-	-	512KB	-
EEPROM	-	2KB	2KB	2KB	2KB	-	2KB	2KB
Video Interface	1x VGA, 1x SDVO, 1x LVDS	1x SDVO, 1x LVDS, 1x VGA	-	1x VGA, 2x LVDS	1x VGA, 2x LVDS	2x LVDS	-	1x SXGA
SATA	4x SATA-300	Serial ATA1.0a x4	-	-	-	2	-	2
USB	8x 2.0	8x 2.0	4x 2.0	4x 2.0	4x 2.0	6x 2.0	-	5x 2.0
Ethernet	1x GbE	1x GbE	1x GbE	3x GbE	3x GbE	1x GbE	3x GbE	3x GbE
PCI Express	1x 16 lanes 1x 4 lanes 2x 1 lane	1port x16 lane (usable as 2 port x8 lane PCI Express)	1x 4 lane 2x 2 lane	1x1 lane 1x 2 lane	1x lane	2x PCIe mini card sockets with SIM support	up to 8 lane	One x4 Lane or one x1 Lane
PCI Bus	1x 32bit, 33MHz, 3.3V	32bit/33MHz, VIO=3.3V	-	-	-	-	-	32bit/33MHz
LPC Bus	1	1	-	-	-	-	-	LPC 1.1 Interface
Other Features	1x SMBUS, 1x I2C, 4x GPI, 4x GPO	-	1x SPI (bootable) with 4CS, 1x SD/SDHC (bootable), 4x UART, 1x I2C	1x SPI (bootable) with 4CS, 1x SD/SDHC (bo- otable), 2x UART, 3x I2C, 6x GPI, 6x GPO, IEEE1588 support	1x SPI (bootable) with 4CS, 1x SD/SDHC (bootable), 2x UART, 3x I2C, IEEE1588 support	Optional 20-channels GPS receiver, Bluetooth or ZigBee	1x microSD, Serial Rapid/O up to 4 lane	2x UART, 2x CAN, IEEE1588 support
Operating Temperature	0°C to +60°C	0 °C to +50°C	0 °C to +50°C	0 °C to +50°C	0 °C to +50°C	0 °C to +70°C	0 °C to +55°C	0 °C to +55°C
Power Requirements	12V DC ±5% 5V DC ±5% 3V DC	12V DC ±5%, 5V DC SBY ±5%	12V ± 5%, SBY ±5%; 12V up to 6.5A and SBY up to 200mA	12V ± 5%, SBY: 5V ±5%; 12V max 2.4A; SBY: max 0.1A	12V ± 5%, SBY: 5V ±5%; 12V max 2.1A; SBY: max 0.1A	12 V DC	12 V DC +/-5%; 20W typ. 30W max	5/ 12 V DC
OS Supported	Win7, Win XP SP3, WES 7, Wind River Linux	VxWorks, Linux	VxWorks, Linux	VxWorks, Linux	VxWorks, Linux	Win XP, XPe, Linux	VxWorks, Linux	Win XP Emb, Linux

OTHER FORM FACTOR



NEW

Catalyst TC



NEW

Catalyst LP



Catalyst Module XL



Catalyst FX



PROTEUS

Processor	Intel Atom E6xx	Atom N450/D510 with dual core capability	Atom up to 1.3GHz	Atom up to 1.6GHz	Atom up to 1.6GHz
Form Factor	2.8x3.9 inches; 67x100 mm	67 x 100 mm	2.8x3.9 inches (67x100 mm)	136 x 127 mm	6.1x4.33 inches (155x110 mm)
Memory	Up to 2GB DDR2 SDRAM SO-DIMM	Up to 2GB DDR2	Up to 2 GB DDR-2 DRAM	Up to 2GB DDR2	Up to 1GB DDR2 SDRAM
Video Interface	1x LVDS with 24-bit color, 1x SVDO	VGA, LVDS	UXGA, XGA, SXGA, HD; Codecs for H.264, MPEG04/2/1, Windows Media-9, DivX; Dual independent display outputs	Expansion boards with multimedia media options for VGA, HDMI, or LVDS, touchscreen and backlight	2x LVDS 24-bit, 4, 5 and 8-wire touchscreen
Serial Port	1x RS232/485, 1x UART	-	-	RS-232 or RS-485 (software selectable)	1
Ethernet	1x GbE	1x GbE (requires adapter board)	-	1x GbE	1x GbE
USB	9x 2.0	9x USB 2.0	8x 2.0	5x USB 2.0	6x 2.0
Solid State Memory	2x SD	2x SD/MMC	3x SD/MMC	-	1x MicroSD
Other Interfaces	3x PCIe, 2x SATA, On board Flash up to 16GB (option), 1x I2C, LPC, JTAG, SM Bus, Trusted Platform Module (option)	2x SATA port	2x PATA drives; Adapter board expandability including serial ports, PCI-Express, digital and analog I/O, mini-PCIe, parallel port	2.5" SATA port, On board PATA flash up to 8GB	1x SATA, 2x Mini PCIe Socket, 1x SIM Socket, 1x External SIM Interface
Other Features	Intel® High Definition Audio	Intel® High Definition Audio	Power management; Intel HD Audio	u-blox GPS receiver (optional), HD audio	Optional 20 channels GPS receiver, HD Audio & 2W amplifier
Ext Temp Range Option	Y	0°C – 70°C	Y	Y	Y
Power Requirements	2-3W	3.3V to 5V (+/- 5%)	+3.3 V DC and +5 V DC ± 5%; 3W typ. 5W max	12VDC, +/-10% power input 9V-36V Vehicle input voltage, 100V transient protection (option)	8.5 to +25 V DC (+12V nominal)
OS Supported	WR Linux, Win CE, ES, 7, other RTOS	WES, CE, Wind River Linux	Win CE 6.0, WES, Wind River Linux	WES, CE, Wind River Linux	Linux, Win XP, XPe
Special Features	ESF coming soon EDC coming soon Wind River On Board coming soon	ESF coming soon EDC coming soon Wind River On Board coming soon	ESF ready EDC ready Wind River On Board	ESF ready EDC ready Wind River On Board	-



Turbo G5 Module



GCM



BitsyXb



Sphere II

Processor	i.MX31@532MHz	PXA320 @ 806MHz	PXA270 @ 520MHz	EP9315 @ 200MHz
Form Factor	2.9x1.8 inches (74x46 mm)	4x6 inch (102x152 mm)	3x5 inches (76x127 mm)	4.0x4.6 inches (102x117 mm)
Memory	Up to 256 MB DDR SDRAM	Up to 256 MB DDR SDRAM	Up to 128 MB DDR SDRAM	Up to 128 MB DRAM
Video Interface	Support for LCD interface	LCD, support for RGB565	LCD, 4 or 5-wire touchscreen	LVDS, LCD option, 4 or 5-wire interface
Serial Port	Up to 5x	3	3	3
Ethernet	-	1x FE	-	1x FE
USB	Support for USB host and On-the-go	2x 1.1 + 1x 2.0	USB master hub	3x 2.0
GPIO	7x (more depending on configurations)	-	-	20x additional GPIO
CAN	-	1x CAN 2.0b port	-	-
I ² C port	1x	1	1	1
Solid State Memory	up to 2x SD/MMC; up to 64MB of Flash	-	-	-
Other Interfaces	2x PWM, Up to 2x SPI; 1x Camera Sensor Interface; Real-time Clock; Expansion Bus; 8x keyboard interface	Analog inputs, digital GPIO, UART, 6x8 keypad support	10x digital I/O; 9x configurable I/O; 1x SPI port	16x digital I/O or 8x8 matrix keypad, 1x SSP/SPI port
Other Features	Carrier board expansion options: 10/100BT Ethernet; CAN 2.0; Audio codec; CompactFlash	Stereo audio codec, 1x Camera Sensor Interface port option, 2x software-controlled LED status indicators, RTC	16-bit stereo audio codec; PS2 keyboard support; External interrupt input support	Stereo audio codec, RTC with battery backup, IDE interface
Ext Temp Range Option	Y (contact us)	Y	Y	Y
Power Requirements	+3.3V ± 10%	+5 V DC and +12 V DC	+3.3 V DC and +5 V DC; 2.1W max	+3.3 V DC and +5 V DC; 0.16W and 1.4W typ. 1.4W max
OS Supported	Linux, Win CE 5.0, Win CE 6.0	Linux, Win CE.net	Linux, Win CE.net	Linux, Win CE.net
Special Features	EDC ready with Eurotech MQTT libraries	-	-	-

SO-DIMM



TurboXb Module



QUANTUM

Processor	PXA270 M @ 520MHz	PXA270 M @ 312 or 520MHz
Form Factor	2.66x2.37 inches (67.6x60.3 mm) SO-DIMM	67.6 x 50 mm SO-DIMM
Memory	Up to 128 MB DRAM	64 MB SDRAM soldered on board; up to 256 KB SRAM; up to 64 MB Flash on board
Video interface	LCD	TFT/STN
Serial Port	3	5x TTL serial port
Ethernet	1x FE	-
USB	1x 1.1 + 1x 2.0	1x 1.1
I ² C port	-	Y
Solid State Memory	SD/MMC	MMC/SD/SDIO
Power Requirements	+5 V DC	Maximum 3.3V/0.7A
Other Features	CF Type I and II, AC97 Codec, SPI	CF, AC97 Codec, 2x SSP port
Ext Temp Range Option	Y	Y
OS Supported	Linux, Win CE.net	Linux, Win CE 6.0
Special Features	-	EDC ready with Eurotech MQTT libraries

