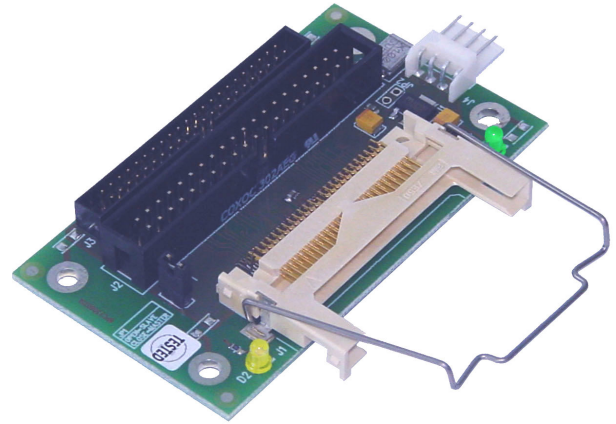


ADP-1022-01

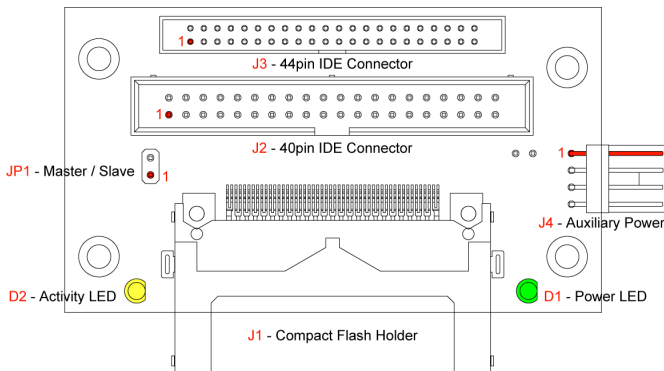
REMOTE IDE TO COMPACT-FLASH ADAPTOR

General Features

- RoHS Compliant
- The ADP-1022-01 is an easy to use and versatile Compact Flash to IDE interface adaptor
- 1x Male 44-pin, 2.00mm pitch connector
- 1x Male 40-pin, 2.54mm pitch connector
- 1x Male 4-pin Auxiliary power connector
- 1 standard 50-pin Compact Flash slot
- Master / Slave Jumper



Layout



Related Parts

ACS-3900-00: IDE Cable

- 3x 44pin Female IDC connectors
 - Format: 2x22, 2.00mm pitch
- Cable length: 120mm (90mm & 30mm)

ADP-1022-00: PC104 IDE to Compact Flash Adaptor

- PC104 form factor
- Powered from the ISA bus

Jumpers

JP1: Master / Slave Selector

Selection	Definition
Open	Master
Closed	Slave

Connector Pinouts

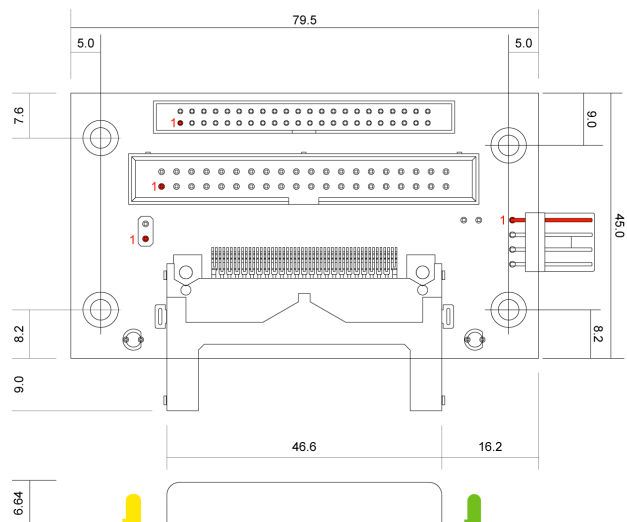
J4: Auxiliary Power Input

Pin #	Use
1	VDD In
3	Ground
5	Ground
7	Not Connected

Connector pinouts continued over...

Mechanical Dimensions

The four fixing holes are 3.3mm Diameter
All dimensions are in millimeters



Connector Pinouts

J8: Compact Flash Connector

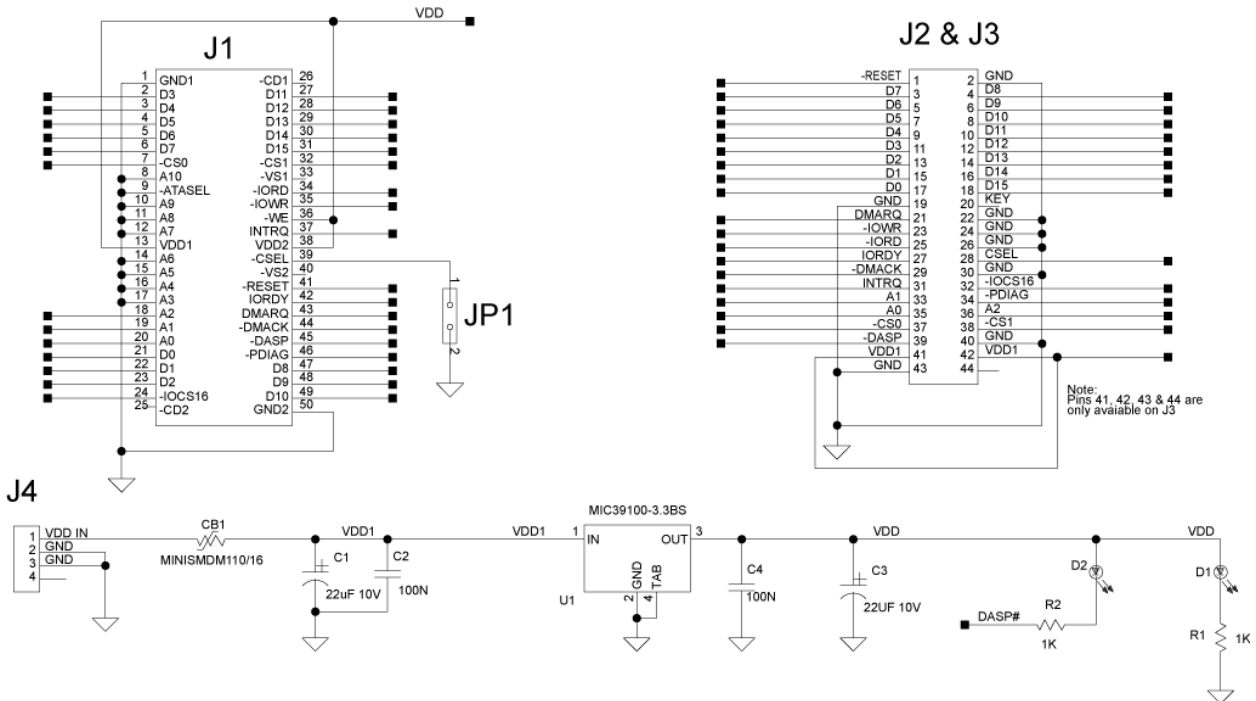
Pin #	Use	Pin #	Use
1	Ground	26	Not Connected
2	D03	27	D11
3	D04	28	D12
4	D05	29	D13
5	D06	30	D14
6	D07	31	D15
7	-CS0	32	-CS1
8	Ground	33	Not Connected
9	Ground	34	-IORD
10	Ground	35	-IOWR
11	Ground	36	Vdd
12	Ground	37	INTRQ
13	Vdd	38	Vdd
14	A06	39	-CSEL
15	A05	40	Not Connected
16	A04	41	-RESET
17	A03	42	IORDY
18	A02	43	-DMARQ
19	A01	44	-DMACK
20	A00	45	-DASP
21	D00	46	-PDIAG
22	D01	47	D08
23	D02	48	D09
24	-IOCS16	49	D10
25	Not Connected	50	Ground

J4 & J5: IDE Connectors

Pin #	Use	Pin #	Use
1	RESET	2	Ground
3	Data 07	4	Data 08
5	Data 06	6	Data 09
7	Data 05	8	Data 10
9	Data 04	10	Data 11
11	Data 03	12	Data 12
13	Data 02	14	Data 13
15	Data 01	16	Data 14
17	Data 00	18	Data 15
19	Ground	20	Key
21	DMARQ	22	Ground
23	-IOWR	24	Ground
25	-IORD	26	Ground
27	IORDY	28	CSEL
29	-DMACK	30	Ground
31	INTRQ	32	-IOCS16
33	DA1	34	-PDIAG
35	DA0	36	DA2
37	-CS0	38	-CS1
39	-DASP	40	Ground
41 *	VDD	42 *	VDD
43 *	Ground	44 *	Not Connected

* Only available on J3

Schematics



EuroTech SpA
 a member of the Eurotech Group
 Via Fratelli Solari, 3/a
 33020 Amaro (UD) - Italy
 E-mail: sales@eurotech.it
 Tel. +39 0433 485 411 Fax. +39 0433 485 499

DIGITAL TECHNOLOGIES FOR A BETTER WORLD

www.eurotech.it

Note: The information in this document is subject to change without notice and should not be construed as a commitment by EuroTech S.p.A. While reasonable precautions have been taken, EuroTech S.p.A. assumes no responsibility for any error that may appear in this document.

All trademarks or registered trademarks are the properties of their respective companies.