

ACS-9096-00

GIGABIT ETHERNET ADAPTOR

FOR USE WITH: CPU-1454, CPU-1464 & CPU-1474

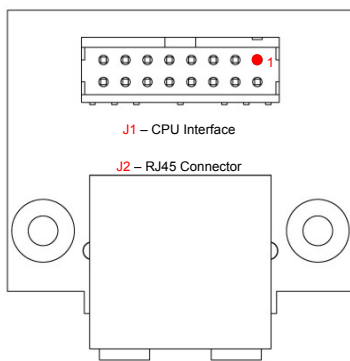
General Features

- RoHS Compliant
- LED indicators for Connection and Activity

Kit Contents

- 1x ACS-9096 Gigabit Ethernet adaptor
- 1x 7000000155L interface cable

Layout

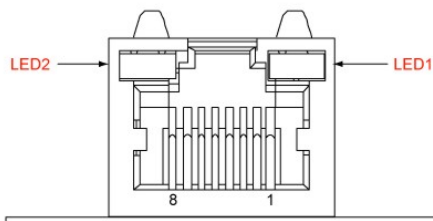


Connector Pinouts

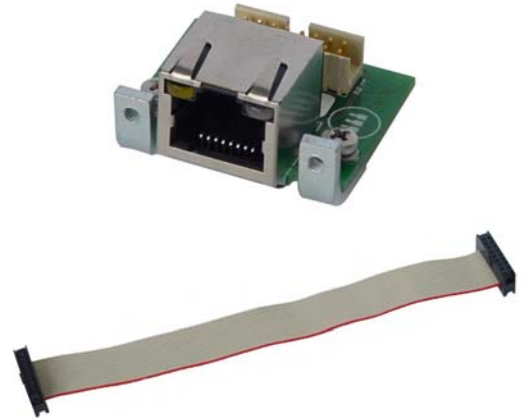
- J1: Computer Interface
- Type: Male Minitek, 16pin (8x2) with 2.00mm pitch

Pin #	Use	Pin #	Use
1	MX-1	2	MX+1
3	MX-2	4	MX+2
5	MX-3	6	MX+3
7	MX-4	8	MX+4
9	GND	10	Not Connected
3	GND	4	Not Connected
5	LINK LED 0	6	ACTIVITY LED
7	LINK 100 LED	8	LINK 1000 LED

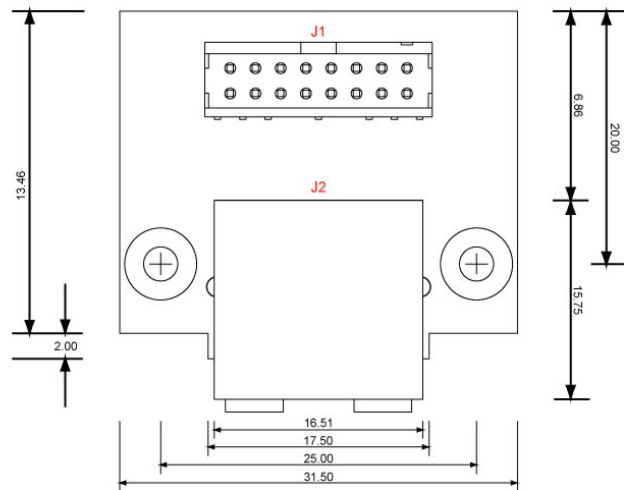
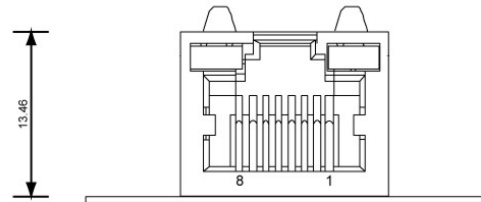
LED Activity Definitions



LED	Colour	Use	Status
1	Yellow / Green	Link	Off: Link 10 Green: Link 100 Yellow: Link 1000
2	Green	Activity	On: Link Up Blinking: Activity

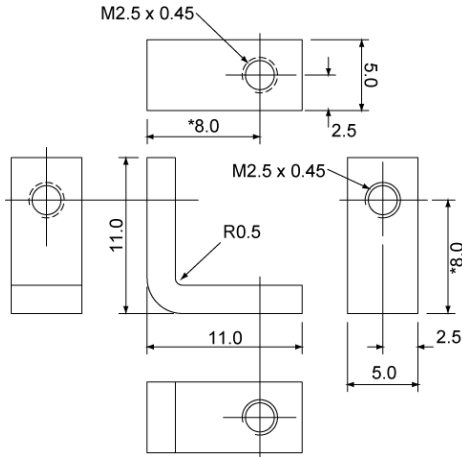


Mechanical Dimensions



All dimensions in millimetres

Mechanical Dimensions (Continued)



Mounting bracket dimensions (mm)

7000000155L

Module	CPU Connector
CPU-1454	J16
CPU-1464	J16
CPU-1474	J16

Connector Pinouts

- 2x Female Minitek, 16pin (8x2) with 2.00mm pitch

From CPU	To ACS-9096	From CPU	To ACS-9096
1	1	2	2
3	3	4	4
5	5	6	6
7	7	8	8
9	9	10	10
11	11	12	12
13	13	14	14
15	15	16	16

