

CBL-1233-00

CABLE-SET FOR THE CPU-1233

CBL-1233-00 Cable Set

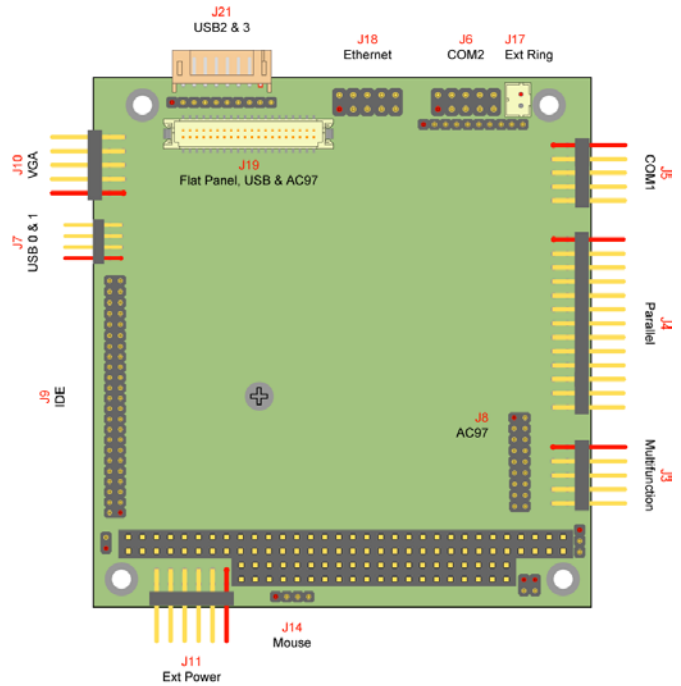
Cable Set Overview

- The CBL-1233-00 Cable set is intended to enable customers to start rapidly developing solutions using the CPU-1233 range of modules.
- All the Cables and adaptors are fully RoHS compliant.
- Users should refer to the Module documentation, available from the Eurotech Website in the DownLoad Area, before attempting to use the Module or Cable set.
- Customers should note that all images contained within this document are only intended as a guide, actual cables may vary, but will always meet or exceed the specifications as shown.

Cable Set Contents

- 1x 7020000011L: Auxiliary power input
- 1x 7000000045L: IDE
- 1x 7000000091L: Multifunction Interconnection Cable
- 1x 7030000054L: Mouse Interconnection Cable
- 1x 7000000095L: VGA Output
- 1x 7030000070L: Flat Panel, USB & AC97
- 2x 7000000030L: COM Port
- 1x 7000000031L: Parallel Port
- 1x ACS-9079-00: Multifunction Adaptor

CPU-1233 Connector Locations



Related Parts

- ACS-9092-00:** 2 Duel-Port USB type "A" adapters for J7 & J21
- ACS-9093-00:** AC97 Audio CODEC for J8
- ACS-9095-05:** RJ45 Ethernet 10/100 adapter for J21

ACS-9079-00: Multifunction Adaptor

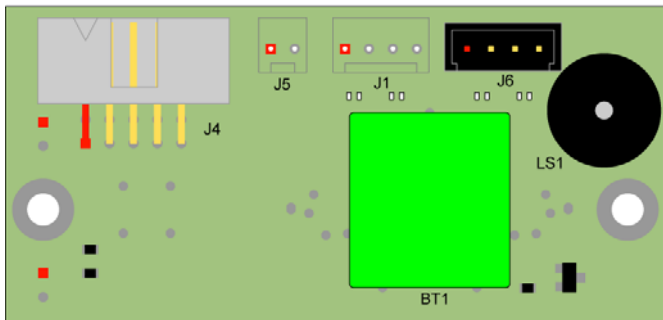
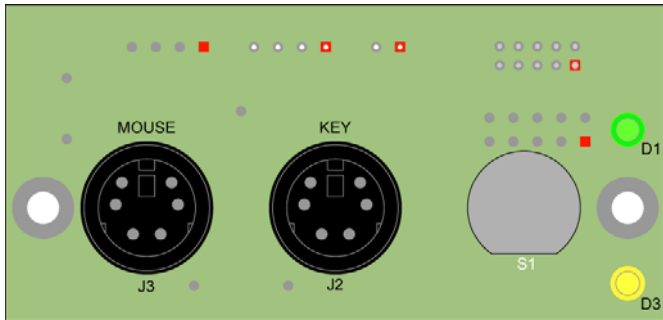


Connector Usage

- J1: Not mounted as standard
- J2: Keyboard
 - Standard PS2 style keyboard connector
- J3: Mouse
 - Standard PS2 style Mouse connector
- J4: Main Interface to CPU module
 - Male Shrouded IDC Header
 - 10pin (5x2)
 - 2.54mm pitch
 - Use 7000000091L to connect to CPU

Pin #	Use	Pin #	Use
1	Speaker	2	+5V
3	Reset	4	Not Connected
5	Keyboard Data	6	Keyboard Clock
7	Ground	8	+5V
9	VBAT	10	VPP

Connector Layout



- J5: Not mounted as standard
- J6: Mouse interface
 - Male Shrouded IDC Header
 - 4pin (4x1)
 - 2.54mm pitch
 - Use 7030000054L to connect to CPU

Pin #	Use	Pin #	Use
1	Vcc	2	Mouse Clock
3	Ground	4	Mouse Data

Other Components

- BT1: Backup Battery
 - Ni-MH
 - 3.6V
 - 60mAh
- LS1: Miniature Speaker
- S1: Reset Push-button
- D1: Green LED
 - Power present
- D3: Yellow LED
 - Activity



EuroTech SpA
 a member of the Eurotech Group
 Via Fratelli Solari, 3/a
 33020 Amaro (UD) - Italy
 E-mail: sales@eurotech.it
 Tel. +39 0433 485 411 - Fax. +39 0433 485 499

DIGITAL TECHNOLOGIES FOR A BETTER WORLD

www.eurotech.it

Note: The information in this document is subject to change without notice and should not be construed as a commitment by EuroTech S.p.A. While reasonable precautions have been taken, EuroTech S.p.A. assumes no responsibility for any error that may appear in this document.

All trademarks or registered trademarks are the properties of their respective companies.

CBL-1233-00

CABLE-SET FOR THE CPU-1233

700000091L: Multifunction Interface



Connector Pinout

Pin #	Use	Pin #	Use
1	Speaker Out	2	+5 Volts
3	Reset Pushbutton	4	Watchdog
5	Keyboard Data	6	Keyboard Clock
7	Ground	8	+5 Volts
9	Battery	10	Not Connected

Connector Details

Name	Usage	Type
Cn1	To CPU-1233 ▪ J3	Female 10-Pin (5x2), 2.54mm pitch IDC Connector
Cn2	To ACS-9079-00 ▪ J4	Female 10-Pin (5x2), 2.54mm pitch IDC Connector

703000054L: Mouse Interface



Connector Pinout

Cn1 Pin #	Cn2 Pin #	Use
1	1	+5 Volts
2	2	Mouse Clock
3	3	Ground
4	4	Mouse Data

Connector Details

Name	Usage	Type
Cn1	To CPU-1233 ▪ J14	Female 4-Pin (4x1), 2.00mm pitch IDC Connector
Cn2	To ACS-9079-00 ▪ J6	Female 4-pin (4x1), 2.54mm pitch Sil AMP MODU II

702000011L: Auxiliary Power Input



Connector Pinout

Pin #	Colour	Use	Pin #	Colour	Use
1	Black	Ground	2	Red	+5 Volts
3	--	No Cable	4	Yellow	+12 Volts
5	White	-5 Volts	6	Blue	-12 Volts
7	Black	Ground	8	Red	+5 Volts
9	Brown	Not Connected	10	Pink	Power Button
11	Purple	+5 VSB	12	Green	ATX On

Connector Details

Name	Usage	Type
Cn1	To CPU-1233 ▪ J11	Female 12-Pin (6x2), 2.54mm pitch IDC Connector

700000045L: 2x IDE



Connector Details

Name	Usage	Type
Cn1	To CPU-1233 ▪ J9	Female 44-Pin (22x2), 2.00mm pitch IDC Connector
Cn2	To IDE Device #1	Female 40-Pin (20x2), 2.54mm pitch IDC Connector
Cn3	To IDE Device #2	Female 40-Pin (20x2), 2.54mm pitch IDC Connector

Connector Pinout

Cn1 Pin #	Cn2/3 Pin #	Usage
1	1	Reset #
3	3	Data 7
5	5	Data 6
7	7	Data 5
9	9	Data 4
11	11	Data 3
13	13	Data 2
15	15	Data 1
17	17	Data 0
19	19	Ground
21	21	DMA Request #

Cn1 Pin #	Cn2/3 Pin #	Usage
2	2	Ground
4	4	Data 8
6	6	Data 9
8	8	Data 10
10	10	Data 11
12	12	Data 12
14	14	Data 13
16	16	Data 14
18	18	Data 15
20	20	Key Pin
22	22	Ground

Cn1 Pin #	Cn2/3 Pin #	Usage
23	23	I/O Write #
25	25	I/O Read #
27	27	I/O Ready #
29	29	DMA Ack. #
31	31	IDE IRQ Channel 0
33	33	Address Bit 1
35	35	Address Bit 0
37	37	Chip Select 0 #
39	39	DASP# / LED
41	--	Not Connected
43	--	Not Connected

Cn1 Pin #	Cn2/3 Pin #	Usage
24	24	Ground
26	26	Ground
28	28	SPSYNC/CSEL
30	30	Ground
32	32	Not Connected
34	34	Cable ID
36	36	Address Bit 2
38	38	Chip Select 1 #
40	40	Ground
42	--	Not Connected
43	--	Not Connected

7030000070L: Flat Panel



Connector Details

Name	Usage	Type
Cn1	To CPU-1233 ▪ J19	HiRose Part Number DF13-40DS-1.25C Female 40-Pin (20x2), 1.25mm pitch
Cable	Length 20 cm	AWG20

7000000095L: VGA Output



Connector Pinout

Cn1 Pin #	Cn2 Pin #	Use
1	14	Vertical Sync
3	12	SDA
5	15	SCL
7	--	Not Connected
9	6, 7 & 8	Ground

Cn1 Pin #	Cn2 Pin #	Use
2	13	Horizontal Sync
4	1	Red
6	2	Green
8	3	Blue
10	5 & 10	Ground

Connector Details

Name	Usage	Type
Cn1	To CPU-1233 ▪ J10	Female 10-Pin (5x2), 2.54mm pitch IDC Connector
Cn2	To VGA Monitor	Female 15 pin D-Sub



EuroTech SpA
 a member of the Eurotech Group
 Via Fratelli Solari, 3/a
 33020 Amaro (UD) - Italy
 E-mail: sales@eurotech.it
 Tel. +39 0433 485 411 - Fax. +39 0433 485 499

DIGITAL TECHNOLOGIES FOR A BETTER WORLD

www.eurotech.it

Note: The information in this document is subject to change without notice and should not be construed as a commitment by EuroTech S.p.A. While reasonable precautions have been taken, EuroTech S.p.A. assumes no responsibility for any error that may appear in this document.

All trademarks or registered trademarks are the properties of their respective companies.

CBL-1233-00

CABLE-SET FOR THE CPU-1233

700000030L: COM Port



Connector Pinout

Cn1 Pin #	Cn2 Pin #	Usage
1	1	Data Carrier Detect
3	2	Receive Data
5	3	Transmit Data
7	4	Data Terminal Ready
9	5	Ground

Cn1 Pin #	Cn2 Pin #	Usage
2	6	Data Set Ready
4	7	Request To Send
6	8	Clear To Send
8	9	Ring Indicator
10	-	Not Connected

Connector Details

Name	Usage	Type
Cn1	To CPU-1233	Female 10-Pin (5x2), 2.54mm pitch IDC Connector
	<ul style="list-style-type: none"> ▪ J5: COM1 Or ▪ J6: COM2 	
Cn2	COM Port	Male 9-Pin D-Sub

700000031L: Parallel Port



Connector Pinout

Cn1 Pin #	Cn2 Pin #	Usage
1	1	-Strobe#
3	2	+Data Bit 0
5	3	+Data Bit 1
7	4	+Data Bit 2
9	5	+Data Bit 3
11	6	+Data Bit 4
13	7	+Data Bit 5
15	8	+Data Bit 6
17	9	+Data Bit 7
19	10	-Acknowledge
21	11	+Busy
23	12	+Paper End
25	13	+Select

Cn1 Pin #	Cn2 Pin #	Usage
2	14	-Auto Feed
4	15	-Error / Fault
6	16	-Printer Initiate
8	17	-Select
10	18	Ground
12	19	Ground
14	20	Ground
16	21	Ground
18	22	Ground
20	23	Ground
22	24	Ground
24	25	Ground
26	--	Not Connected

Connector Details

Name	Usage	Type
Cn1	To CPU-1212	Female 26-Pin (13x2), 2.54mm pitch IDC Connector
	▪ J4	
Cn2	Parallel Port	Female 25-Pin D-Sub