

# ACS-9111-00

## MAGNETIC MOUNT GPS ANTENNA KIT

### Kit Contents

- 1x GPS Magnetic Mount Antenna with female SMA connector
- 1x 7040000036L: Female MCX to Female SMA adaptor cable for use with the COM-1288, COM-1289 and COM-1480



### 7040000036L

Module	Connector	System	Connector
COM-1288	GPRS	DuraCOR/ Alphabox	Not Required
COM-1289	J5	DuraNAV/ AVL-Light	Not Required
COM-1480	J13		

### Connectors

- 1x Male MCX to COM module
- 1x Female SMA to Antenna (Cn1)

### Mechanical Dimensions

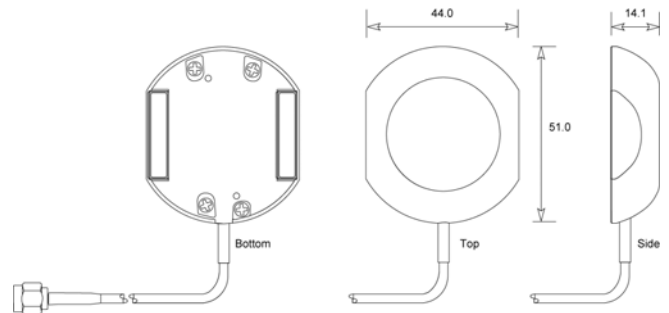


All dimensions in millimetres

### GPS Magnetic Mount Antenna

Module	Connector	System	Connector
COM-1288	7040000036L, Female SMA	DuraCOR/ Alphabox	A3
COM-1289	7040000036L, Female SMA	DuraNAV/ AVL-Light	A3
COM-1480	7040000036L, Female SMA		

### Mechanical Dimensions



All dimensions in millimetres

### Antenna Specifications

Characteristic	Minimum	Typical	Maximum
Centre Frequency	1570.42 MHz	1575.42 MHz	1580.42 MHz
Impedance		50 Ohms	
VSWR			2
Antenna Gain 90°		0.0 dBi	
Polarization		RHCP	
Axial Ratio			3.0 dBi
System Gain	23 dBi	26 dBi	29 dBi
Noise			2.0 dB
Input Voltage	3.0 Vdc		7.0 Vdc
Power Consumption			22 mA
Operating Temperature	-40°C		+85°C
Cable Length	4.85 m	5.00 m	5.15 m