

An0076

Ethernet connectivity with Eurotech CPU modules

Rev 1.0 – April 2011 – ETH_An0076_AN1.0

Disclaimer

The information in this manual has been carefully checked and is believed to be accurate. Eurotech assumes no responsibility for any infringements on patents or other third party rights, which may result from its use.

Eurotech assumes no responsibility for any inaccuracies that may be contained within this document, and makes no commitment to update or keep current the information contained within this manual.

Eurotech reserves the right to make improvements to this document and/or product at any time, without prior notice.

Trademarks

All trademarks both marked and not marked appearing in this document are the property of their respective owners.

Technical assistance

For any technical questions, or if you cannot isolate a problem with your device, or for any enquiry about repair and returns policies, feel free to contact your local Eurotech Technical Support Team.

See the third and back covers for full contact details.

Revision history

REVISION	DESCRIPTION	DATE
1.0	First release	April 2011

Table of contents

Disclaimer.....	2
Trademarks	2
Technical assistance.....	2
Revision history	2
Table of contents	3
Important user information.....	5
Alerts that can be found throughout this manual	5
Foreword	7
Schematic of the Ethernet connection	9
Eurotech worldwide presence.....	11

(This page has been intentionally left blank)




Important user information

Eurotech S.p.A. (Eurotech) has made every effort to ensure the accuracy of this document; however, Eurotech assumes no liability resulting from any error/omission in this document, or from the use of the information contained herein.

Eurotech reserves the right to revise this document or to make changes to its content at any time without any obligation to notify any person of such revision or changes.

Alerts that can be found throughout this manual

The following alerts indicate potentially dangerous situations:

SYMBOL	MEANING
	<p>DANGER! Information highlighting potential electrical shock hazards:</p> <ul style="list-style-type: none">• Personal injury or death could occur.• Damage to the system, connected peripheral devices, or software could occur. <p>Appropriate safety precautions should always be used; these should meet the requirements set out for the environment that the equipment will be deployed in.</p>
	<p>WARNING! Information highlighting potential hazards:</p> <ul style="list-style-type: none">• Personal injury or death could occur.• Damage to the system, connected peripheral devices, or software could occur. <p>Appropriate safety precautions should always be used; these should meet the requirements set out for the environment that the equipment will be deployed in.</p>
	<p>NOTE These will highlight important features or instructions.</p>

(This page has been intentionally left blank)

Foreword

The scope of this application note is to give a quick guide on how to make an Ethernet connection with a Eurotech CPU module, when not using the ACS-9095-05 10/100MB Ethernet Adaptor.



Note:

The ACS-9095-05 is described in the Technical Datasheet Td0004:

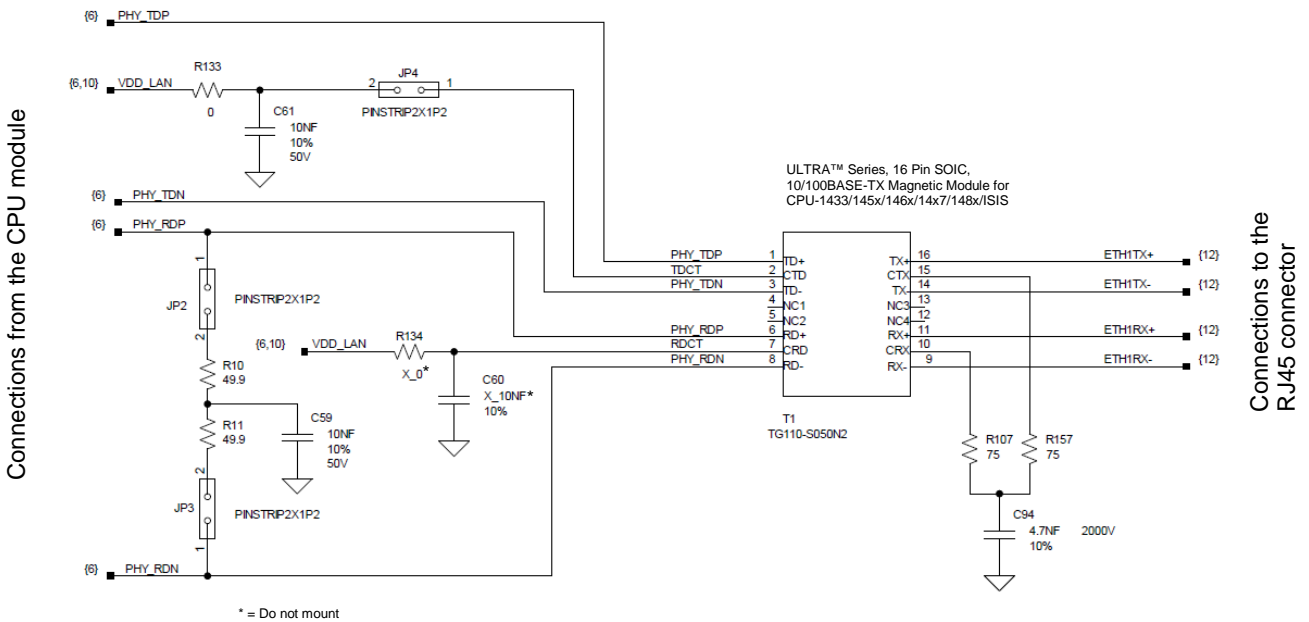
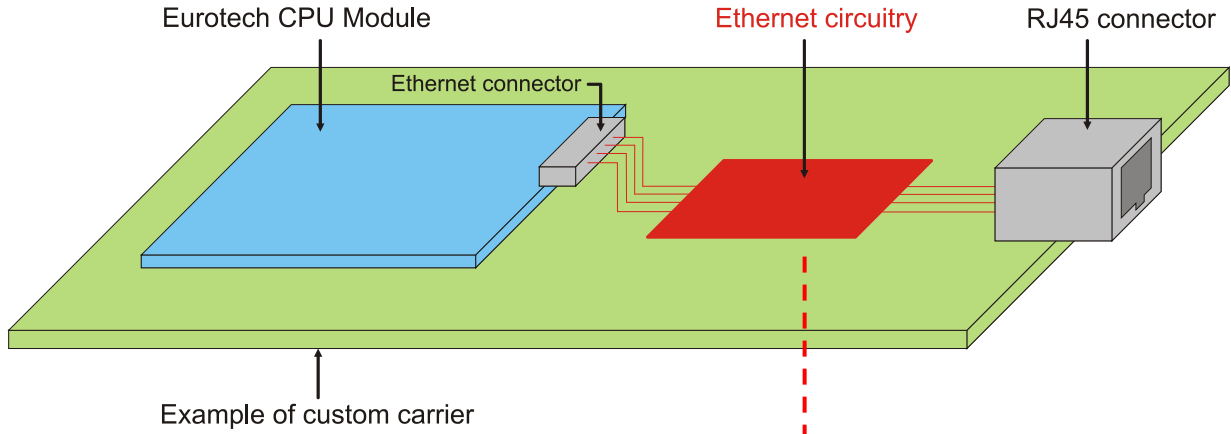
<http://www.eurotech.com/DLA/AN/Td0004.pdf>

In this case it is recommended to develop a custom carrier that includes all the necessary circuitry to manage the CPU module and to condition the Ethernet signals.

The next chapter gives you an example schematic for this circuitry.

(This page has been intentionally left blank)

Schematic of the Ethernet connection



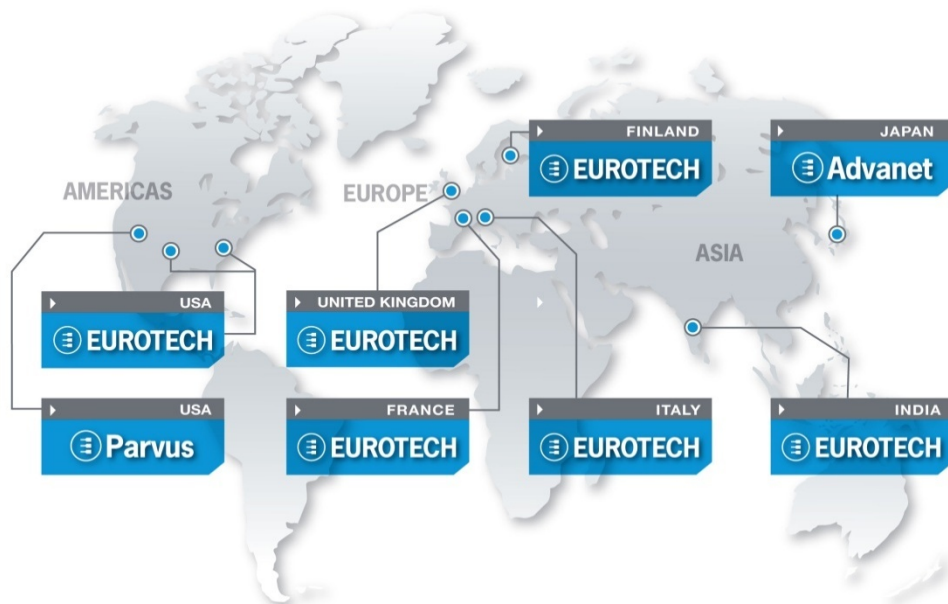
* = Do not mount

JUMPER #	CPU-1421	CPU-1433	CPU-145X/6X/7X/8X	ISIS
JP2	Closed	Closed	Open	Open
JP3	Closed	Closed	Open	Open
JP4	Closed	Open	Open	Open

CPU MODULE	ETHERNET CHIPSET
CPU-1421	Realtek 8019AS & 8139C
CPU-1433	Realtek 8139D & 8139DL
CPU-145X/6X/7X/8X	Intel 82562ET
ISIS	Intel 82551IT

(This page has been intentionally left blank)

Eurotech worldwide presence



AMERICAS

USA



EUROTECH

Toll free +1 888.941.2224
 Tel. +1 301.490.4007
 Fax +1 301.490.4582
 E-mail: sales.us@eurotech.com
 E-mail: support.us@eurotech.com
 Web: www.eurotech-inc.com

PARVUS

Tel. +1 800.483.3152
 Fax +1 801.483.1523
 E-mail: sales@parvus.com
 E-mail: tsupport@parvus.com
 Web: www.parvus.com

EUROPE

Italy

EUROTECH

Tel. +39 0433.485.411
 Fax +39 0433.485.499
 E-mail: sales.it@eurotech.com
 E-mail: support.it@eurotech.com
 Web: www.eurotech.com

United Kingdom

EUROTECH

Tel. +44 (0) 1223.403410
 Fax +44 (0) 1223.410457
 E-mail: sales.uk@eurotech.com
 E-mail: support.uk@eurotech.com
 Web: www.eurotech.com

France

EUROTECH

Tel. +33 04.72.89.00.90
 Fax +33 04.78.70.08.24
 E-mail: sales.fr@eurotech.com
 E-mail: support.fr@eurotech.com
 Web: www.eurotech.com

Finland

EUROTECH

Tel. +358 9.477.888.0
 Fax +358 9.477.888.99
 E-mail: sales.fi@eurotech.com
 E-mail: support.fi@eurotech.com
 Web: www.eurotech.com

ASIA

Japan

ADVANET

Tel. +81 86.245.2861
 Fax +81 86.245.2860
 E-mail: sales@advanet.co.jp
 E-mail: tsupport@advanet.co.jp
 Web: www.advanet.co.jp

India

EUROTECH

Tel. +91 80.43.35.71.17
 E-mail: sales.in@eurotech.com
 E-mail: support.in@eurotech.com
 Web: www.eurotech.com

To find your nearest contact refer to: www.eurotech.com/contacts



www.eurotech.com

EUROTECH HEADQUARTERS

Via Fratelli Solari 3/a

33020 Amaro (Udine) – ITALY

Phone: +39 0433.485.411

Fax: +39 0433.485.499

For full contact details go to: www.eurotech.com/contacts