

# *An0067*

## Cable-set Reference Guide

Rev. 2.0 - December 2007 - ETH\_An0067\_USM20-2007- 12



## Disclaimer

The information in this manual has been carefully checked and is believed to be accurate. Eurotech assumes no responsibility for any infringements of patents or other rights of third parties, which may result from its use. Eurotech assumes no responsibility for any inaccuracies that may be contained in this document. Eurotech makes no commitment to update or keep current the information contained in this manual. Eurotech reserves the right to make improvements to this document and/or product at any time and without notice.

## Warranty

This product is supplied with a limited warranty. The product warranty covers failure of any Eurotech manufactured product caused by manufacturing defects. Eurotech will make all reasonable effort to repair the product or replace it with an equivalent alternative. Eurotech reserves the right to replace the returned product with an alternative variant or an equivalent fit, form and functional product. Delivery charges will apply to all returned products.

## Trademarks

All trademarks, both marked and not marked, appearing in this document are the property of their respective owners.

## WEEE

The information below is issued in compliance with the regulations as set out in the 2002/96/CE directive, subsequently superseded by 2003/108/CE. It refers electrical and electronic equipment and the waste management of such products. When disposing of a device, including all of its components, subassemblies and materials that are an integral part of the product, you should consider the WEEE directive.



This symbol has been attached to the equipment or, if this has not been possible, on the packaging, instruction literature and/or the guarantee sheet. By using this symbol, it states that the device has been marketed after August 13th 2005, and implies that you must separate all of its components when possible, and dispose of them in accordance with local waste disposal legislations.

Because of the substances present in the equipment, improper use or disposal of the refuse can cause damage to human health and to the environment.

With reference to WEEE, it is compulsory not dispose of the equipment with normal urban refuse, arrangements should be instigated for separate collection and disposal.

Contact your local waste collection body for more detailed recycling information.

In case of illicit disposal, sanctions will be levied on transgressors.

## RoHS

This device, including all its components, subassemblies and the consumable materials that are an integral part of the product, has been manufactured in compliance with the European directive 2002/95/EC known as the RoHS directive (Restrictions on the use of certain Hazardous Substances). This directive targets the reduction of certain hazardous substances previously used in electrical and electronic equipment (EEE).

## Related Documentation

For further information please refer to the appropriate User manual for the CPU or Peripheral that you are using the adaptor with.

© 2007 Eurotech Spa

Eurotech S.p.A.  
A member of the Eurotech Group  
Via Fratelli Solari, 3/a  
33020 - AMARO (UD)

ITALY

# Introduction

---

## Manual Conventions

The following conventions are used throughout this manual.

### The “Mode” of the register:

Symbol / Text	Definition
<b>RW</b>	Readable and Writable register
<b>RO</b>	Read only register
<b>W</b>	Meaning of the register when written
<b>R</b>	Meaning of the register when read

### Hexadecimal numbering:

Hexadecimal numbers are indicated with an “h” suffix (for example: 11Ch)

### Symbols and Text used in Pin-out tables:

Symbol / Text	Definition
◀	Input
▶	Output
◀▶	Bi-Directional
—	Passive
<b>Module specific</b>	Dependent on module installed
<b>NC</b>	Not Connected
<b>Reserved</b>	Use reserved to Eurotech, must remain unconnected
<b>#</b>	Active low signal

### Warnings and Important Notices:

Within this manual you will find the following tables, please ensure that you read and understand these as they are intended to highlight potential risks or precautions that should be taken.



#### Warnings:

Information to alert you to potential hazards:  
Potential personal injury or damage to a system, device or program.



#### Information notes:

Indicates important features or instructions that should be observed

---

## Technical Assistance

If you have any technical questions or if you cannot isolate a problem with your device, please e-mail the Eurotech Technical Support Team: email: [techsupp@eurotech.it](mailto:techsupp@eurotech.it)

## RMA Requests

Before returning any Eurotech product, for any reason, you must e-mail the Eurotech Technical Support Team on the above email address, giving the following information; you will then be sent an RMA number (Returned Material Authorization) for the return of the material:

Model number (see Figure 1)  
Serial number (see Figure 1)  
Detailed fault description  
Company Details  
Contact details

## Transportation

When transporting any module or system, for any reason, it should be packed using anti-static material and placed in a sturdy box with enough packing material to adequately cushion it.

**Warnings:**

Any product returned to Eurotech that is damaged due to inappropriate packaging will not be covered by the warranty!

---

## Board labelling

On the external side of the ISA Bus connector, you will find several labels displaying the following:

- Batch Number
- Serial Number
- Model Number
- Hardware Revision

**Note:**

The actual location of these labels may vary depending on the product purchased. For example: If no ISA bus is present, the PCI bus may be used instead. However, the labelling formats will remain the same.

---

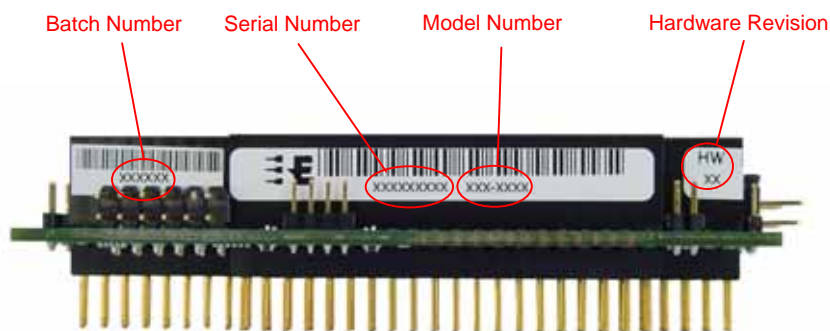


Figure 1. Board label locations

# Table of Contents

---

<b>Introduction</b> .....	<b>3</b>
Manual Conventions.....	3
Technical Assistance.....	4
RMA Requests.....	4
Transportation.....	4
Board labelling.....	4
<b>Table of Contents</b> .....	<b>5</b>
<b>Chapter 1 Cable-set Components</b> .....	<b>7</b>
CBL-1212-00 .....	8
<i>Kit Contents</i> .....	8
<i>Connector Layout</i> .....	8
CBL-1213-00 .....	9
<i>Kit Contents</i> .....	9
<i>Connector Layout</i> .....	9
CBL-1421-00 .....	10
<i>Kit Contents</i> .....	10
<i>Connector Layout</i> .....	10
CBL-1452-00 .....	11
<i>Kit Contents</i> .....	11
<i>Connector Layout</i> .....	11
CBL-1454-00 .....	12
<i>Kit Contents</i> .....	12
<i>Connector Layout</i> .....	12
<b>Chapter 2 Cable Descriptions</b> .....	<b>13</b>
7000000004L: IDE Cable .....	14
7000000030L: Single COM Port.....	15
7000000031L: Single Parallel Port.....	16
7000000032L: Two Serial ports.....	17
7000000045L: IDE Interface.....	18
7000000074L: Two COM Ports .....	19
7000000091L: CPU module to Multifunction Adaptor .....	20
7000000124L: Multifunction, Mouse and VGA Output.....	21
7020000010L: Auxiliary Power.....	22
7020000011L: Auxiliary Power.....	23
7030000081L: 1 Parallel Port and 2 Serial Ports .....	24
7030000083L: CPU to Timers, 2 Serial Ports and Ethernet Adaptor .....	26

(This page is intentionally left blank.)

# **Chapter 1 Cable-set Components**

---

This Chapter lists each Cable-set and all the Components that the customer will receive with each set

## CBL-1212-00

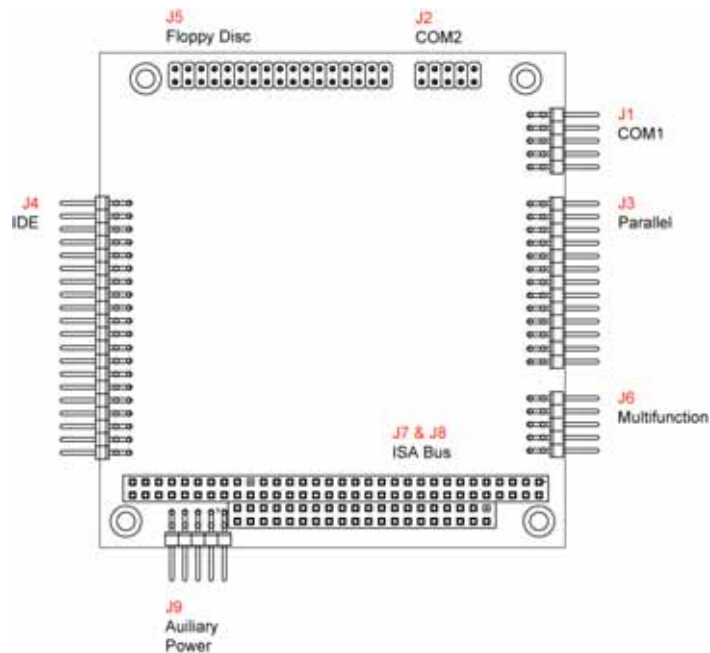
### Revision Date

Cable-set Part Number	For use with	Cable-set Revision Date
CBL-1212-00	CPU-1212	25/07/2006

### Kit Contents

Eurotech Part #	Qty.	Connector.	Type	Description	RoHS	Page
7000000004L	1	J4	Cable	IDE Interface	✓	14
7000000030L	2	J1 or J2	Cable	COM1 or COM2	✓	15
7000000031L	1	J3	Cable	Parallel	✓	16
7000000091L	1	J6	Cable	Multifunction Adaptor	✓	20
7020000010L	1	J9	Cable	Auxiliary Power	✓	22
9C630600S6L	1	--	Adaptor	Multifunction Adaptor	✓	

### Connector Layout





# CBL-1213-00

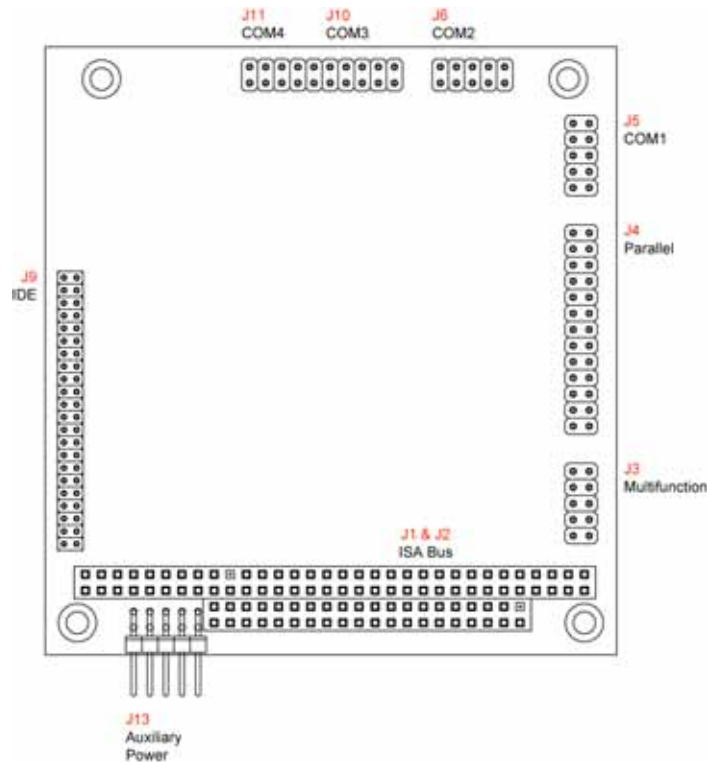
## Revision Date

Cable-set Part Number	For use with	Cable-set Revision Date
CBL-1213-00	CPU-1213	25/07/2006

## Kit Contents

Eurotech Part #	Qty.	Conn.	Type	Description	RoHS	Page
7000000030L	2	J5 & J6	Cable	COM1 & COM2	✓	15
7000000031L	1	J4	Cable	Parallel	✓	16
7000000032L	1	J10 & J11	Cable	COM3 & COM4	✓	17
7000000045L	1	J9	Cable	IDE Hard Drive	✓	18
7000000091L	1	J3	Cable	CPU to Multifunction Adaptor	✓	20
7020000011L	1	J13	Cable	Auxiliary Power	✓	23
9C630600S6L	1	--	Adaptor	Multifunction Adaptor	✓	

## Connector Layout



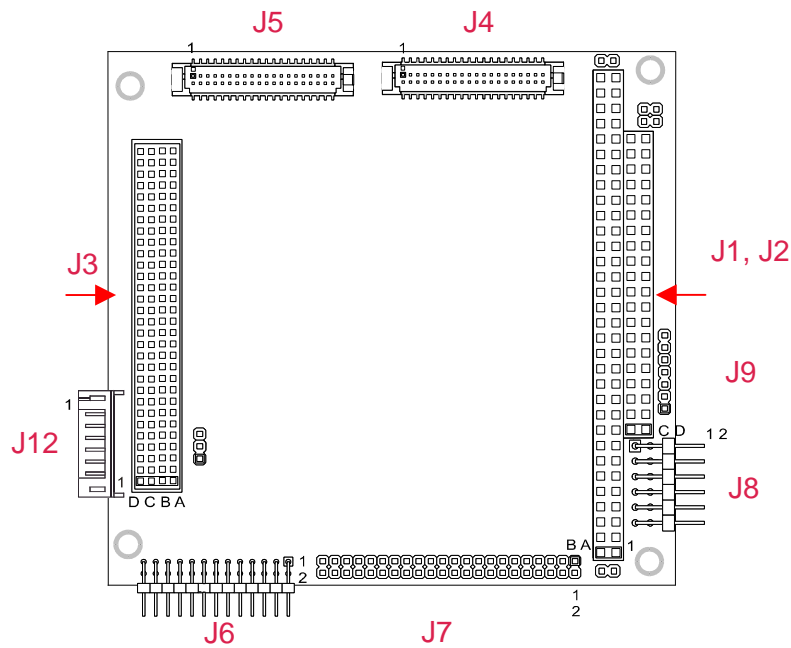
# CBL-1421-00

Revision Date		
Cable-set Part Number	For use with	Cable-set Revision Date
CBL-1421-00	CPU-1421	25/07/2006

## Kit Contents

Eurotech Part #	Qty.	Conn.	Type	Description	RoHS	Page
7000000045L	1	J7	Cable	IDE	✓	18
7000000124L	1	J6	Cable	Multifunction	✓	21
7020000011L	1	J8	Cable	Auxiliary Power	✓	23
7030000081L	1	J4	Cable	COM3, COM4 and Parallel	✓	24
7030000083L	1	J5	Cable	COM1, COM2, Ethernet 2 & Timers	✓	26
9C630600S6L	1	--	Adaptor	Multifunction	✓	

## Connector Layout



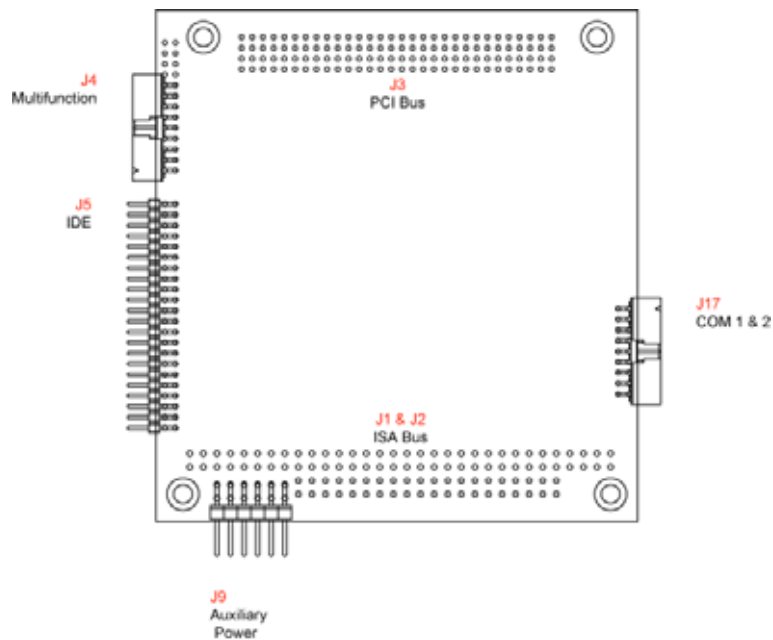
# CBL-1452-00

<u>Revision Date</u>		
Cable-set Part Number	For use with	Cable-set Revision Date
CBL-1452-00	CPU-1452 CPU-1462	25/07/2006

## Kit Contents

Eurotech Part #	Qty.	Conn.	Type	Description	RoHS	Page
7000000045L	1	J5	Cable	IDE	✓	18
7000000074L	1	J17	Cable	COM1 & COM2	✓	19
7000000124L	1	J4	Cable	Multifunction & VGA	✓	21
7020000011L	1	J9	Cable	Auxiliary Power	✓	23
9C630600S6L	1	--	Adaptor	Multifunction	✓	

## Connector Layout



## CBL-1454-00

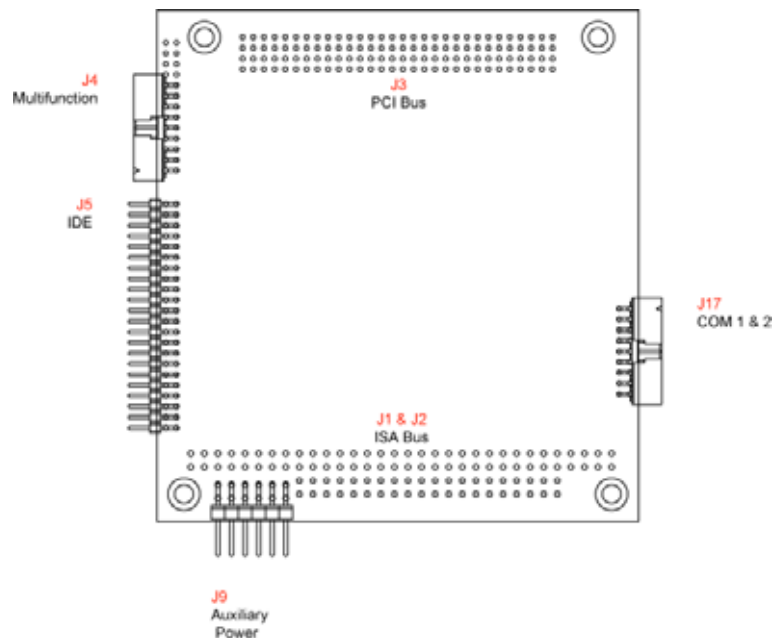
### Revision Date

Cable-set Part Number	For use with	Cable-set Revision Date
CBL-1454-00	CPU-1454 CPU-1464	25/07/2006

### Kit Contents

Eurotech Part #	Qty.	Conn.	Type	Description	RoHS	Page
7000000045L	1	J5	Cable	IDE	✓	18
7000000074L	1	J17	Cable	COM1 & COM2	✓	19
7000000124L	1	J4	Cable	Multifunction & VGA	✓	21
7020000011L	1	J9	Cable	Auxiliary Power	✓	23
9C630600S6L	1	--	Adaptor	Multifunction	✓	

### Connector Layout



## **Chapter 2 Cable Descriptions**

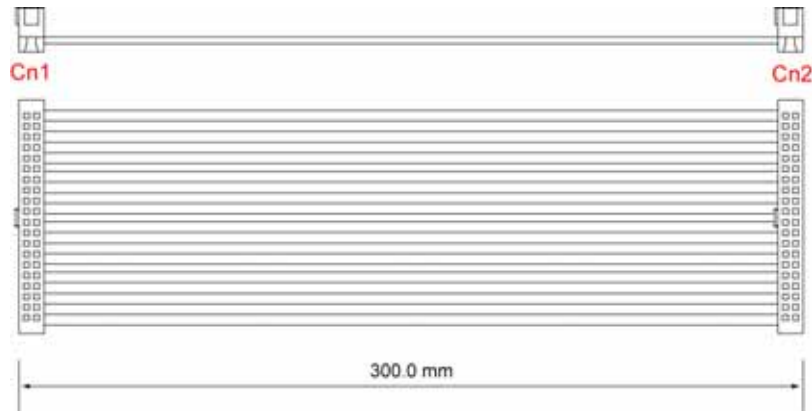
---

This Chapter gives detailed descriptions of all the cables supplied

## 7000000004L: IDE Cable

For use with:

CPU-1212



### Connectors

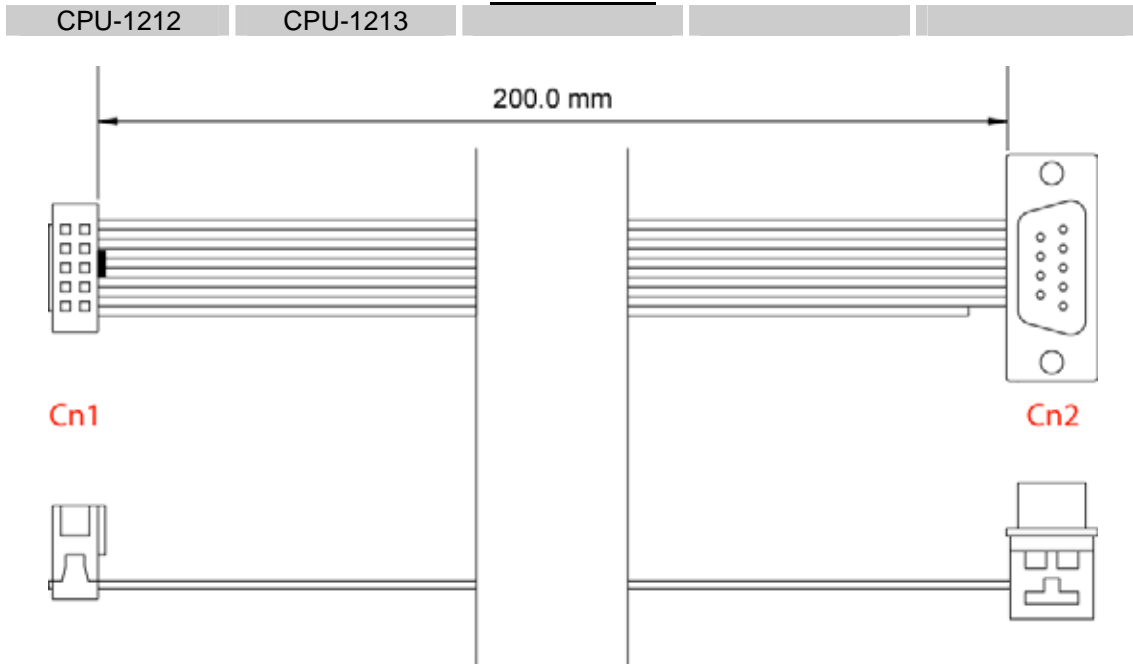
Connector #	Type	Pins	Format	Pitch (mm)
Cn1	Minitex IDE	40	20x2	2.54
Cn2	Minitex IDE	40	20x2	2.54

### Pinout

Cn1	Cn2	Usage	Cn1	Cn2	Usage
1	1	PWG	2	2	Ground
3	3	ID7	4	4	ID8
5	5	ID6	6	6	ID9
7	7	ID5	8	8	ID10
9	9	ID4	10	10	ID11
11	11	ID3	12	12	ID12
13	13	ID2	14	14	ID13
15	15	ID1	16	16	ID14
17	17	ID0	18	18	ID15
19	19	Ground	20	20	Not Used
21	21	Not Used	22	22	Ground
23	23	BIOW#	24	24	Ground
25	25	BIOR#	26	26	Ground
27	27	IOCHRDY#	28	28	Sync / CSEL
29	29	DMACK#	30	30	Ground
31	31	IRQ	32	32	IOCS16#
33	33	SA1	34	34	PDIAG#
35	35	SA0	36	36	SA2
37	37	CSO#	38	38	CS1#
39	39	DASP# / LED	40	40	Ground

## 7000000030L: Single COM Port

**For use with:**



### Connectors

Connector #	Type	Pins	Format	Pitch (mm)	Wire Type
Cn1	Female IDC	10	5x2	2.54	AWG28
Cn2	Male DB9	9	DB9	--	AWG28

### Pinout

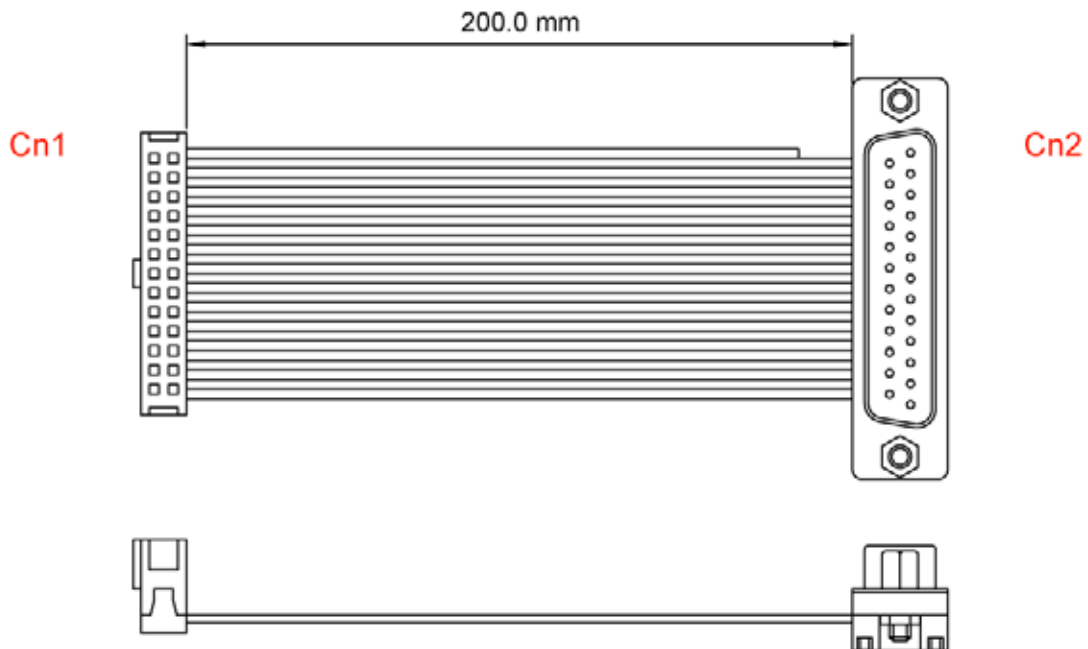
Cn1 Pin	Cn2 Pin	Usage
1	1	DCD
2	6	DSR
3	2	RX
4	7	RTS
5	3	TX
6	8	CTS
7	4	DTR
8	9	RI
9	5	Ground
10	--	Not Connected

## 7000000031L: Single Parallel Port

**For use with:**

CPU-1212

CPU-1213



### Connectors

Connector #	Type	Pins	Format	Pitch (mm)	Wire Type
Cn1	Female IDC	26	13x2	2.54	AWG28
Cn2	Female DB25	25	DB25	--	AWG28

### Pinout

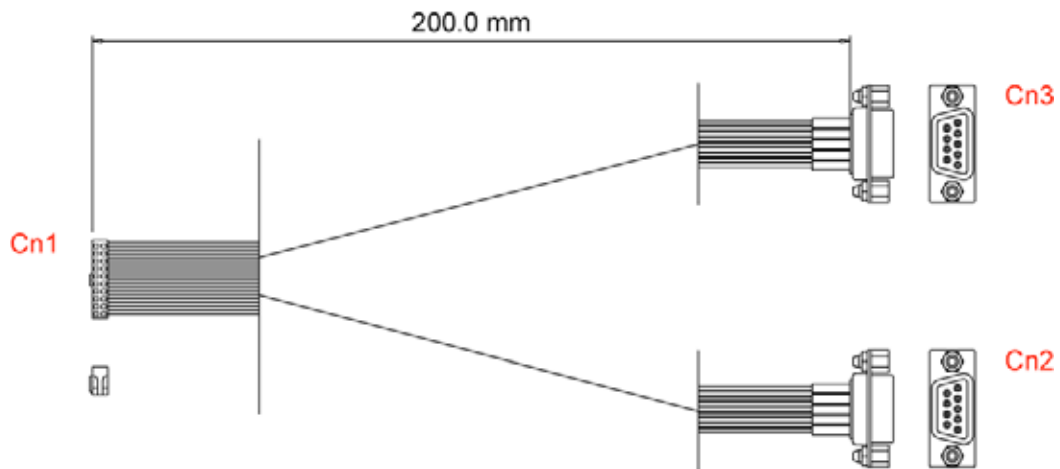
Cn1	Cn2	Usage	Cn1	Cn2	Usage
1	1	-Strobe	2	14	-Auto Feed
3	2	+Data Bit 0	4	15	-Error / Fault
5	3	+Data Bit 1	6	16	-Printer Initiate
7	4	+Data Bit 2	8	17	-Select
9	5	+Data Bit 3	10	18	Ground
11	6	+Data Bit 4	12	19	Ground
13	7	+Data Bit 5	14	20	Ground
15	8	+Data Bit 6	16	21	Ground
17	9	+Data Bit 7	18	22	Ground
19	10	-Acknowledge	20	23	Ground
21	11	+Busy	22	24	Ground
23	12	+ Paper End	24	25	Ground
25	13	+Select	26	--	Not Connected



## 7000000032L: Two Serial ports

### Applies to

CPU-1213



### Connectors

Connector #	Type	Pins	Format	Pitch (mm)
Cn1	Female IDC	20	2x10	2.54
Cn2, Cn3	Male DB9	9	DB9	--

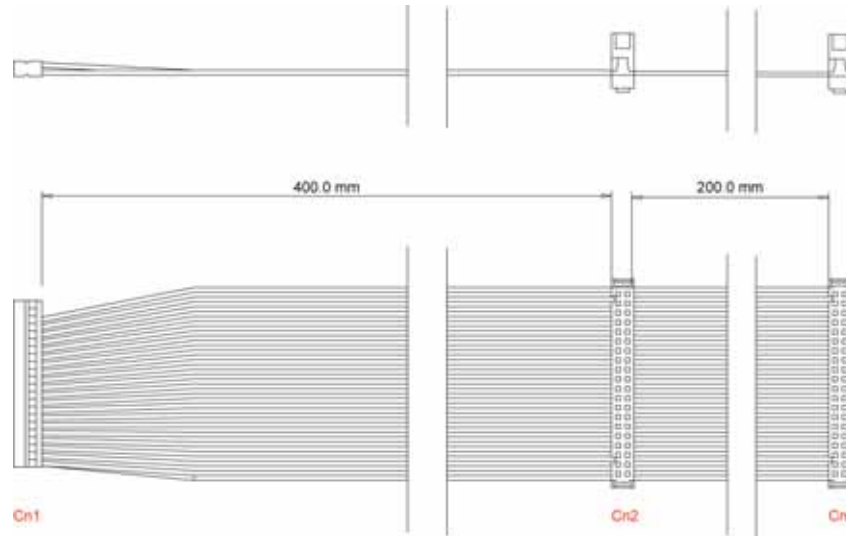
### Pinout

Cn1	Conn.	Pin #	Usage	Cn1	Conn	Pin #	Usage
1	Cn2	1	DCD	2	Cn2	6	DSR
3	Cn2	2	RX	4	Cn2	7	RTS
5	Cn2	3	TX	6	Cn2	8	CTS
7	Cn2	4	DTR	8	Cn2	9	RI
9	Cn2	5	Ground	10	Cn2	--	Not Connected
11	Cn3	1	DCD	12	Cn3	6	DSR
13	Cn3	2	RX	14	Cn3	7	RTS
15	Cn3	3	TX	16	Cn3	8	CTS
17	Cn3	4	DTR	18	Cn3	9	RI
19	Cn3	5	Ground	20	Cn3	--	Not Connected

## 7000000045L: IDE Interface

### For use with:

CPU-1213	CPU-1421	CPU-1452
CPU-1462	CPU-1454	CPU-1464



### Connectors

Connector #	Type	Pins	Format	Pitch (mm)
Cn1	Minitex	44	22x2	2.00
Cn2, Cn3	IDC	40	20x2	2.54

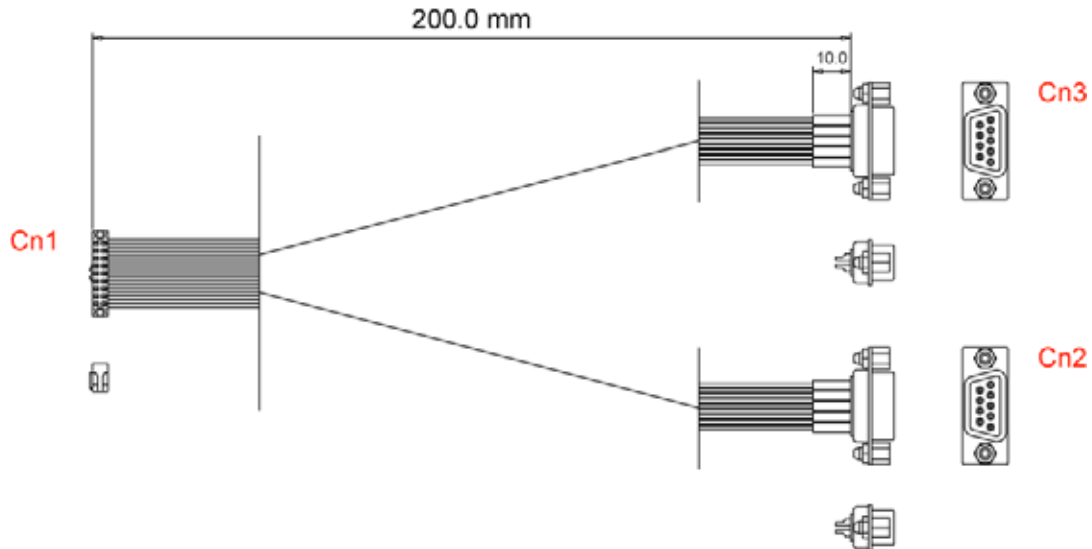
### Pinout

Cn1	Cn2 / Cn3	Usage	Cn1	Cn2 / Cn3	Usage
1	1	/Reset	2	2	Ground
3	3	Data 7	4	4	Data 8
5	5	Data 6	6	6	Data 9
7	7	Data 5	8	8	Data 10
9	9	Data 4	10	10	Data 11
11	11	Data 3	12	12	Data 12
13	13	Data 2	14	14	Data 13
15	15	Data 1	16	16	Data 14
17	17	Data 0	18	18	Data 15
19	19	Ground	20	20	Key
21	21	Not Used	22	22	Ground
23	23	/IOW	24	24	Ground
25	25	/IOR	26	26	Ground
27	27	IO_CH_RDY	28	28	ALE
29	29	Not Connected	30	30	Ground
31	31	IRQR	32	32	/IOCS16
33	33	Address 1	34	34	Not Connected
35	35	Address 0	36	36	Address 2
37	37	/IDE_CS0	38	38	/IDE_CS1
39	39	/ACTIVE	40	40	Ground

## 7000000074L: Two COM Ports

**For use with:**

CPU-1452	CPU-1462	CPU-1454	CPU-1464
----------	----------	----------	----------



### Connectors

Connector #	Type	Pins	Format	Pitch (mm)
Cn1	Minitex IDC	18	9x2	2.00
Cn2 / Cn3	D-Sub 9	9	DB9	--

### Pinout

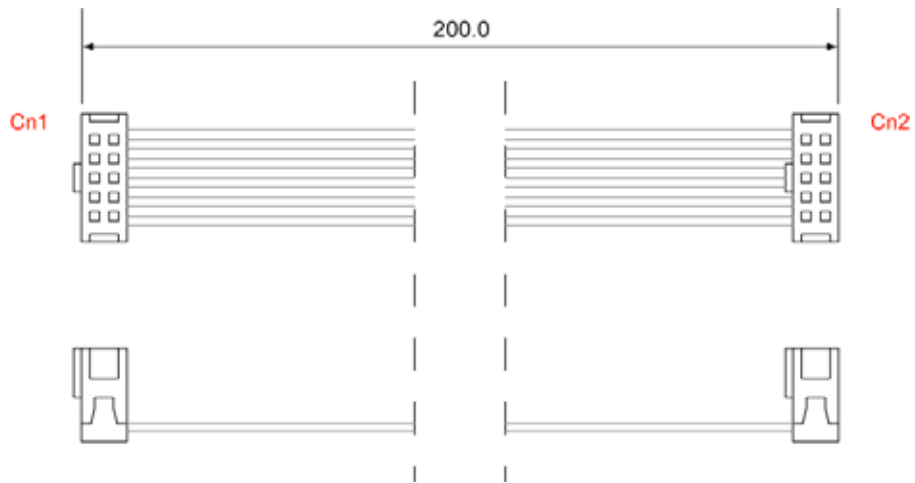
Cn1	Conn.	Pin #	Usage	Cn1	Conn.	Pin #	Usage
1	Cn2	1	Carrier Detect	2	Cn2	6	Data Set Ready
3	Cn2	2	Receive Data	4	Cn2	7	Request To Send
5	Cn2	3	Transmit Data	6	Cn2	8	Clear To Send
7	Cn2	4	Data Terminal Ready	8	Cn2	9	Ring Indicator
9	Cn2	5	Ground	10	Cn3	1	Carrier Detect
11	Cn3	6	Data Set Ready	12	Cn3	2	Receive Data
13	Cn3	7	Request To Send	14	Cn3	3	Transmit Data
15	Cn3	8	Clear To Send	16	Cn3	4	Data Terminal Ready
17	Cn3	9	Ring Indicator	18	Cn3	5	Ground

## 7000000091L: CPU module to Multifunction Adaptor

**For use with:**

CPU-1212

CPU-1213



### Connectors

Connector #	Type	Pins	Format	Pitch (mm)
Cn1	Minitex IDC	10	5x2	2.54
Cn2	Minitex IDC	10	5x2	2.54

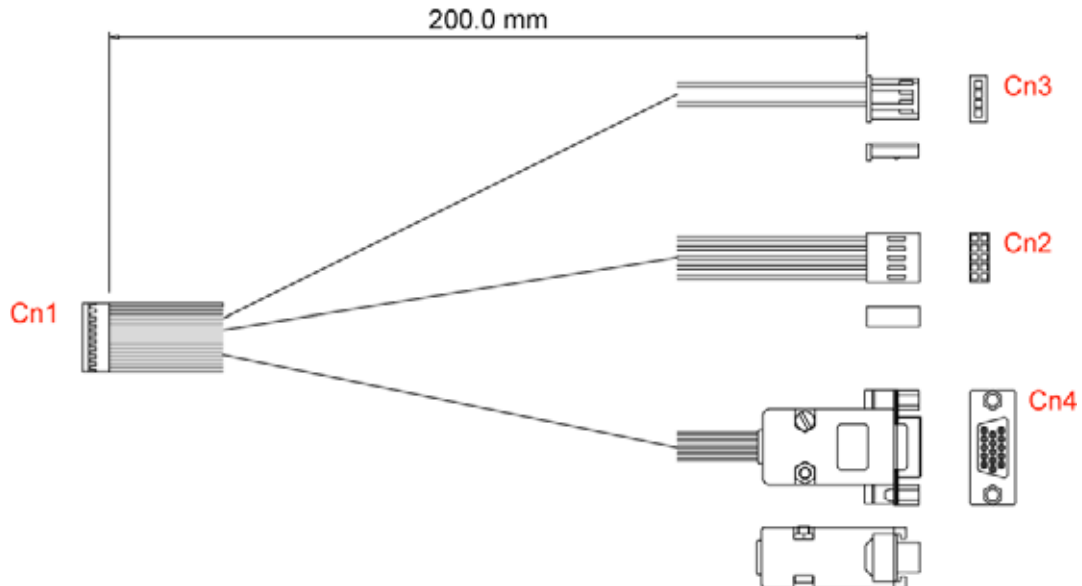
### Pinout

Cn1	Cn2	Usage	Cn1	Cn2	Usage
1	1	Speaker	2	2	+5V
3	3	Reset	4	4	WDTL
5	5	Keyboard Data	6	6	Keyboard Clock
7	7	Ground	8	8	+5V
9	9	VBAT	10	10	VPP

## 7000000124L: Multifunction, Mouse and VGA Output

For use with:

CPU-1421	CPU-1452	CPU-1462	CPU-1454
CPU-1464			



### Connectors

Connector #	Type	Pins	Format	Pitch (mm)
Cn1	Female Minitek	18	9x2	2.00
Cn2	Female Dil	10	5x2	2.54
Cn3	Female DB15	15	DB15	--
Cn4	Sil	4	4x1	2.54

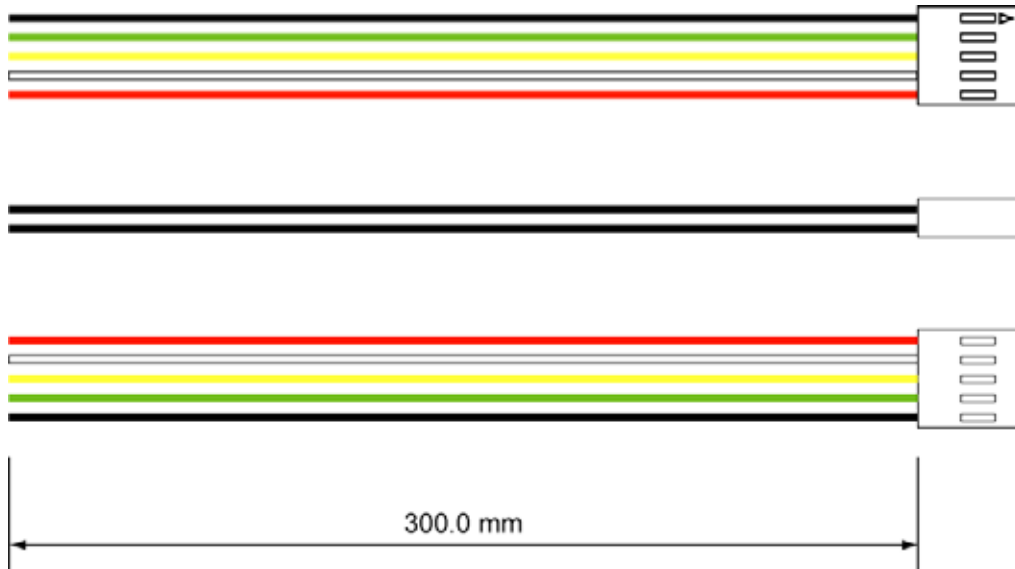
### Pinout

Cn1	Conn.	Pin #	Usage	Cn1	Conn.	Pin #	Usage
1	Cn2	7	Ground	2	Cn2	8	Vdd
3	Cn2	5	Keyboard Data	4	Cn2	6	Keyboard Clock
5	Cn3	4	Mouse Data	6	Cn3	2	Mouse Clock
7	Cn2	9	Battery In	8	Cn2	1	Speaker
9	Cn2	3	Reset	10	Cn4	5 & 10	Ground
11	Cn4	13	Horizontal Sync	12	Cn4	14	Vertical Sync
13	Cn4	1	Red Video	14	Cn4	2	Green Video
15	Cn4	15	SCL	16	Cn4	12	SDA
17	Cn4	6, 7 & 8	Ground	18	Cn4	3	Blue Video

## 7020000010L: Auxiliary Power

**For use with:**

CPU-1212



### Connectors

Connector #	Type	Pins	Format	Pitch (mm)
Cn1	Female Minitex	10	5x2	2.54

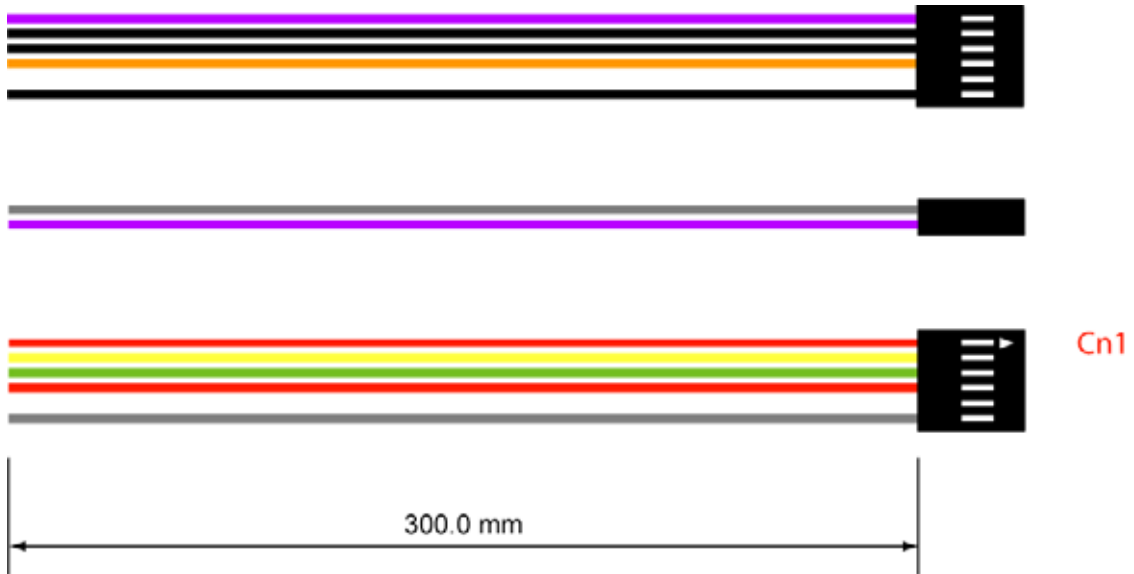
### Pinout

Cn1 Pin	Usage	Colour	Wire Type
1	+5 Volts	Black	AWG 22
2	+5 Volts	Black	AWG 22
3	-5 Volts	Green	AWG 22
4	-5 Volts	Green	AWG 22
5	+12 Volts	Yellow	AWG 22
6	+12 Volts	Yellow	AWG 22
7	-12 Volts	White	AWG 22
8	-12 Volts	White	AWG 22
9	Ground	Red	AWG 22
10	Ground	Red	AWG 22

## 7020000011L: Auxiliary Power

For use with:

CPU-1213	CPU-1421	CPU-1454	CPU-1464
----------	----------	----------	----------



### Connectors

Connector #	Type	Pins	Format	Pitch (mm)
Cn1	Female Minitek	12	6x2	2.54

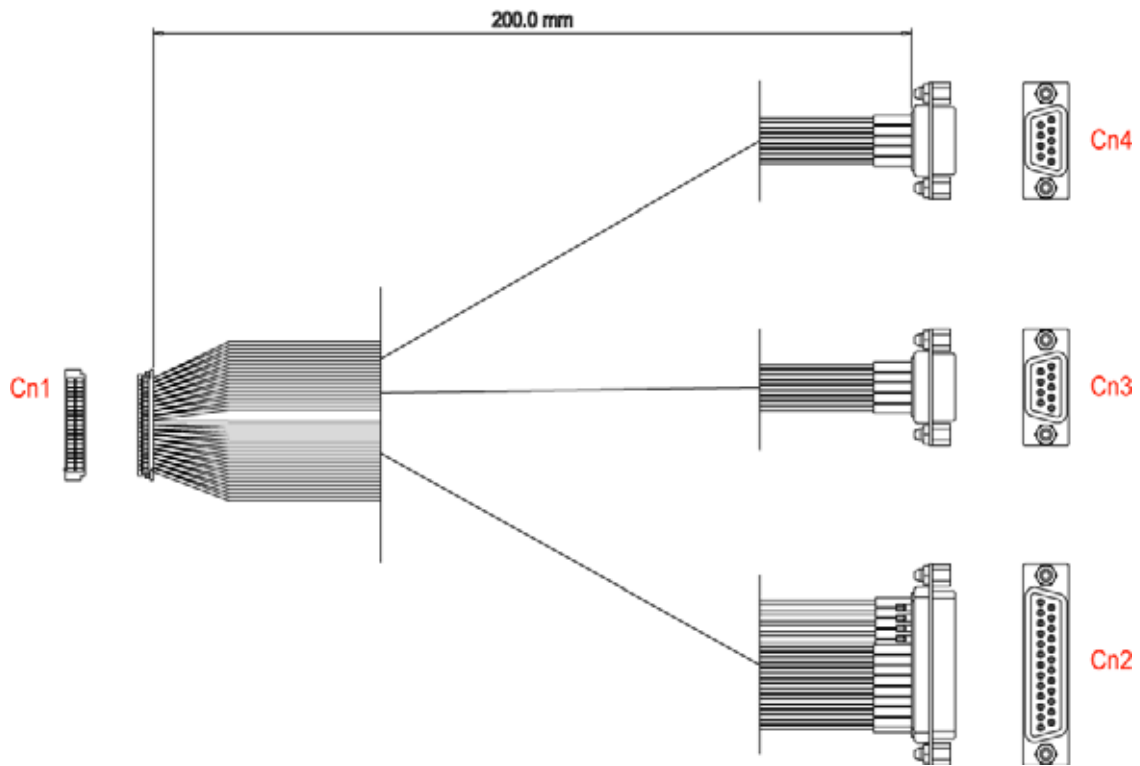
### Pinout

Pin #	CPU-1421	CPU-145x CPU-146x	Colour
1	Ground	Ground	Red
2	Vdd	Vdd	Black
3	NC	NC	Yellow
4	+12 Volts	+12 Volts	None
5	-5 Volts	-5 Volts	Green
6	-12 Volts	-12 Volts	Orange
7	Ground	Ground	Red
8	Vdd	Vdd	Black
9	Ground	NC	None
10	NC	PWRBTN#	Black
11	NC	+5VSB	Grey
12	NC	PSOEN#	Purple

## 7030000081L: 1 Parallel Port and 2 Serial Ports

**For use with:**

CPU-1421



### Connectors

Connector #	Type	Pins	Format	Pitch (mm)
Cn1	Hi-Rose	40	20x2	1.25
Cn2	Female COXOC D-Sub	25	DB25	--
Cn3, Cn4	Male COXOC D-Sub	9	DB9	--

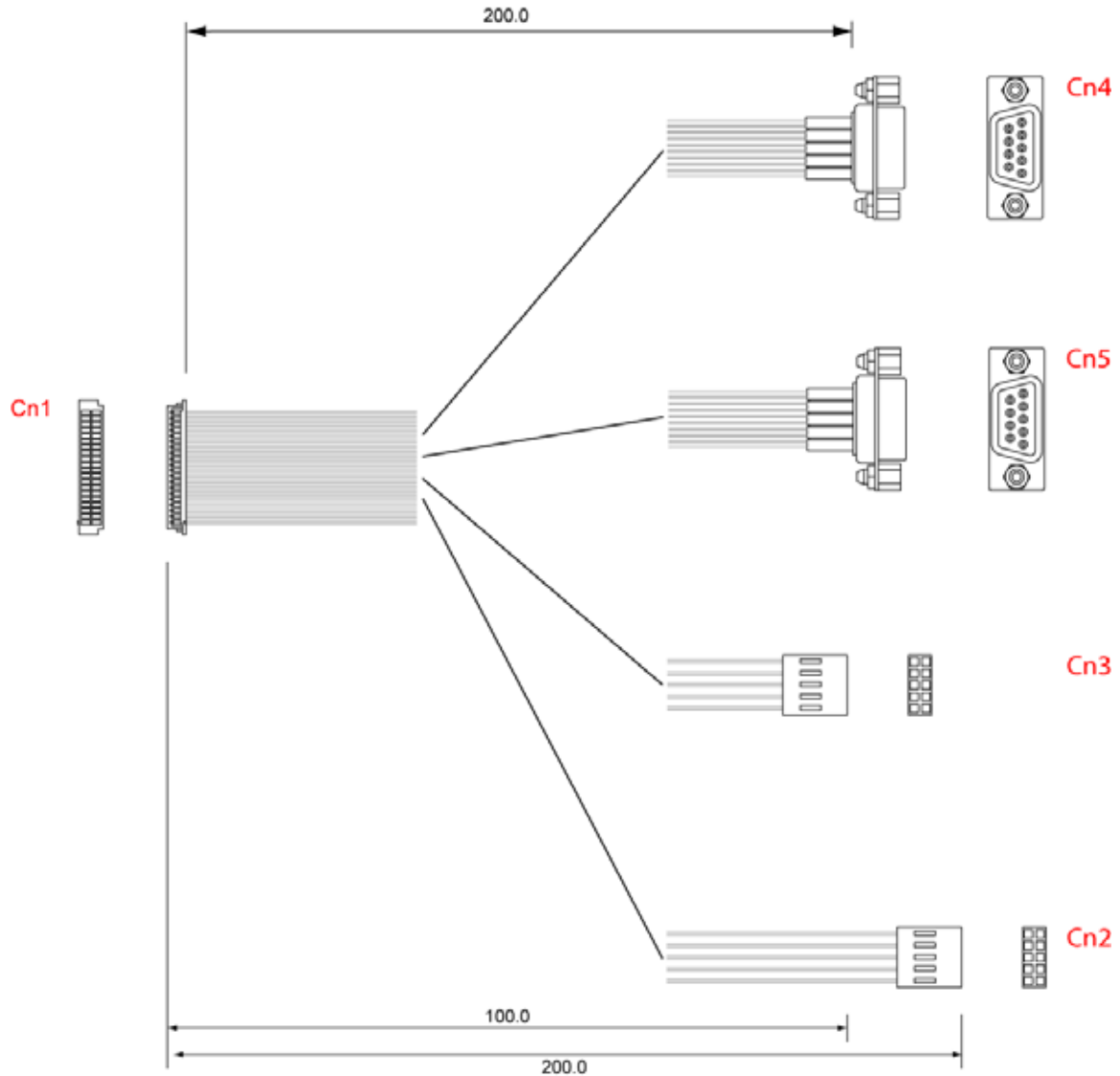


**Pinout**

<b>Pin #</b>	<b>Conn.</b>	<b>Pin #</b>	<b>Function</b>	<b>Pin #</b>	<b>Conn.</b>	<b>Pin #</b>	<b>Function</b>
<b>1</b>	Cn2	<b>1</b>	STB#	<b>2</b>	Cn2	<b>12</b>	PE
<b>3</b>	Cn2	<b>2</b>	PD0	<b>4</b>	Cn2	<b>13</b>	Select
<b>5</b>	Cn2	<b>3</b>	PD1	<b>6</b>	Cn2	<b>18</b>	Ground 1
<b>7</b>	Cn2	<b>4</b>	PD2	<b>8</b>	Cn2	<b>14</b>	Autofeed
<b>9</b>	Cn2	<b>5</b>	PD3	<b>10</b>	Cn2	<b>19</b>	Ground 2
<b>11</b>	Cn2	<b>6</b>	PD4	<b>12</b>	Cn2	<b>15</b>	Error
<b>13</b>	Cn2	<b>7</b>	PD5	<b>14</b>	Cn2	<b>20</b>	Ground 3
<b>15</b>	Cn2	<b>8</b>	PD6	<b>16</b>	Cn2	<b>16</b>	Initialise
<b>17</b>	Cn2	<b>9</b>	PD7	<b>18</b>	Cn2	<b>21</b>	Ground 4
<b>19</b>	Cn2	<b>10</b>	Acknowledge	<b>20</b>	Cn2	<b>17</b>	SLIN#
<b>21</b>	Cn2	<b>11</b>	Busy	<b>22</b>	Not Used		
<b>23</b>	Cn3	<b>1</b>	DCD 1	<b>24</b>	Cn3	<b>6</b>	DSR 1
<b>25</b>	Cn3	<b>2</b>	RX 1	<b>26</b>	Cn3	<b>7</b>	RTS 1
<b>27</b>	Cn3	<b>3</b>	TX 1	<b>28</b>	Cn3	<b>8</b>	CTS 1
<b>29</b>	Cn3	<b>4</b>	DTR 1	<b>30</b>	Cn3	<b>9</b>	RI 1
<b>31</b>	Cn3	<b>5</b>	Ground 1	<b>32</b>	Cn4	<b>5</b>	Ground 2
<b>33</b>	Cn4	<b>1</b>	DCD 2	<b>34</b>	Cn4	<b>6</b>	DSR 2
<b>35</b>	Cn4	<b>2</b>	RX 2	<b>36</b>	Cn4	<b>7</b>	RTS 2
<b>37</b>	Cn4	<b>3</b>	TX 2	<b>38</b>	Cn4	<b>8</b>	CTS 2
<b>39</b>	Cn4	<b>4</b>	DTR 2	<b>40</b>	Cn4	<b>9</b>	RI 2

# 7030000083L: CPU to Timers, 2 Serial Ports and Ethernet Adaptor

**For use with:**



**Connectors**

Connector #	Type	Pins	Format	Pitch (mm)
Cn1	Female Hirose	40	40x2	1.25
Cn2, Cn3	Female Minitek	10	5x2	2.54
Cn4, Cn5	Male D-Sub	9	DB9	--

**Pinout**

<b>Pin</b>	<b>Conn.</b>	<b>Pin</b>	<b>Signal</b>	<b>Pin</b>	<b>Conn.</b>	<b>Pin</b>	<b>Signal</b>
1	Cn2	1	Timer Input 0	2	Cn2	2	Timer Output 0
3	Cn2	3	Timer Input 1	4	Cn2	4	Timer Output 1
5	Cn2	5	Watchdog Timer	6	Cn2	6	Ground
7	Cn2	7	GPI / 014	8	Cn2	8	GPI / 015
9	Cn2	9		10	Cn2	10	
11	Cn3	5	Activity LED	12	Cn3	2	Link LED
13	Cn3	9	+ Transmit Data	14	Cn3	10	- Transmit Data
15	Cn3	3	+ Receive Data	16	Cn3	4	- Receive Data
17	Cn3	1	Vdd LAN	18	Cn3	6	Ground LAN
19	Not Used			20	Not Used		
21	Not Used			22	Not Used		
23	Cn4	1	DCD 1	24	Cn4	6	DSR 1
25	Cn4	2	RX 1	26	Cn4	7	RTS 1
27	Cn4	3	TX 1	28	Cn4	8	CTS 1
29	Cn4	4	DTR 1	30	Cn4	9	RI 1
31	Cn4	5	Ground 1	32	Cn5	5	Ground 2
33	Cn5	1	DCD 2	34	Cn5	6	DSR 2
35	Cn5	2	RX2	36	Cn5	7	RTS 2
37	Cn5	3	TX2	38	Cn5	8	CTS 2
39	Cn5	4	DTR 2	40	Cn5	9	RI 2